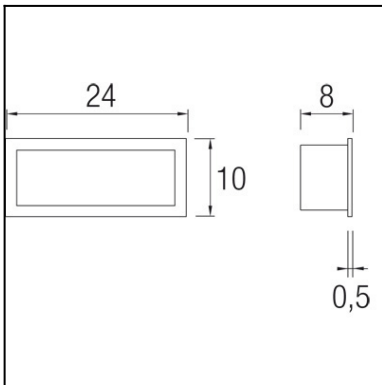




La rifinitura della fotografia può non coincidere con quella del riferimento. Per identificare quella reale, vedere la descrizione della rifinitura.



CARATTERISTICHE TECNICHE

Tipo:	INCASSI A PARETE
Indice di protezione IP:	IP44
Indice di protezione IK:	IK08
Fonte de luz 1:	1 x E27 MAX 60W Lunghezza massima della lampada: 145.00 mm Diametro massimo della lampada : 45.00 mm
Consumo totale (W):	60
Voltaggio / Frequenza:	220-240V/50-60Hz
Garanzia (Anni):	2
Unità per cassa:	18
Peso netto (Kg):	0.645
EAN:	8435111037195

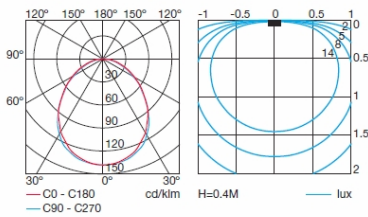


MATERIALI / RIFINITURE

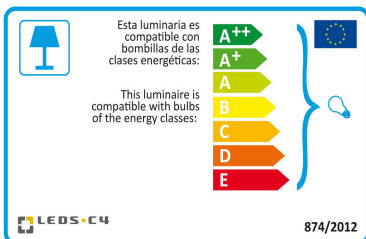
Materiale struttura: Alluminio
Rifinitura struttura: Grigio

Materiale diffusore: Vetro
Rifinitura diffusore: Opaco

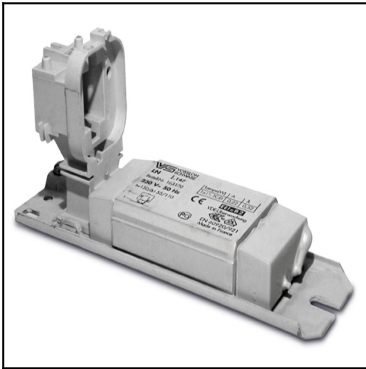
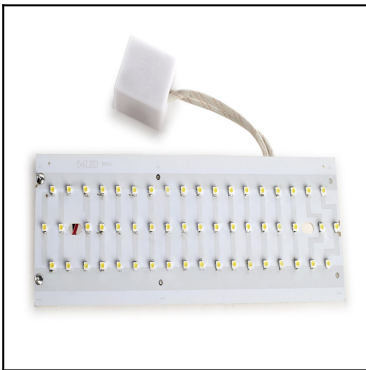
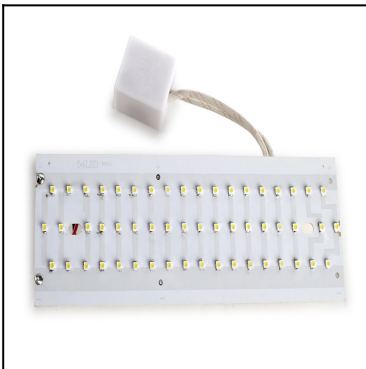
PL 20W



Download photometric file .ldt / .ies



Clicchi sull'immagine per scaricare l'etichetta energetica.

71-8969-00-00**71-9713-00-00****71-9714-00-00**

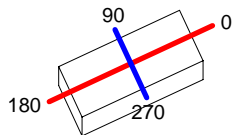
LED'S C4

REF. ENSAYO	REFERENCIA	POTENCIA NOMINAL (W)	POTENCIA (W)	POTENCIA APARENTE (VA)	POTENCIA REACTIVA (VAR)	COSENO DE PHI (PF)	CURRENT (A)
520/2015	05-8961+71-9713	3,5	4,97	9,38	7,98	0,527	0,041

Luminaire		Measurement		Lamp			
Code	05-8961+71-9713	Code	05-8961+71-9713	Code	05-8961+71-9713		
Name	Empotrable HERCULES 3.5W 4000K	Name	Empotrable HERCULES 3.5W 4000K	Number	1		
Line	- LEDS C4 LEDS	Date	10-09-2015	Position	Universal		
Luminaire Flux	213.31 lm	Luminaire Power	3.00 W	Efficacy	71.10 lm/W	Efficiency	100.00%
Lamps Flux	213.32 lm	Maximum value	102.98 cd	Position	C=0.00 G=0.00	CG	Double Symmetrical
Flush Rectangular Rectangular Luminous Area	Length Length	100 mm 70 mm	Width Width	240 mm 200 mm	Height Height	8 mm 0 mm	
Horizontal Luminous Area Emitting area on Plane 0° Emitting area on Plane 90°	0.014000 m2 0.000000 m2 0.000000 m2	Emitting area on Plane 180° Emitting area on Plane 270° Glare area at 76°	0.000000 m2 0.000000 m2 0.003387 m2				
Coordinate system Date Measurement Distance	CG 10-09-2015 6.44	Symmetry Type Maximum Gamma Angle Measurement Flux	Double Symmetrical 90 213.32 lm				
Operator Temperature Humidity Notes	Asselum T2 24.00 °C 51.00 %	Source voltage Source current Photocell	230.00 V Prc				

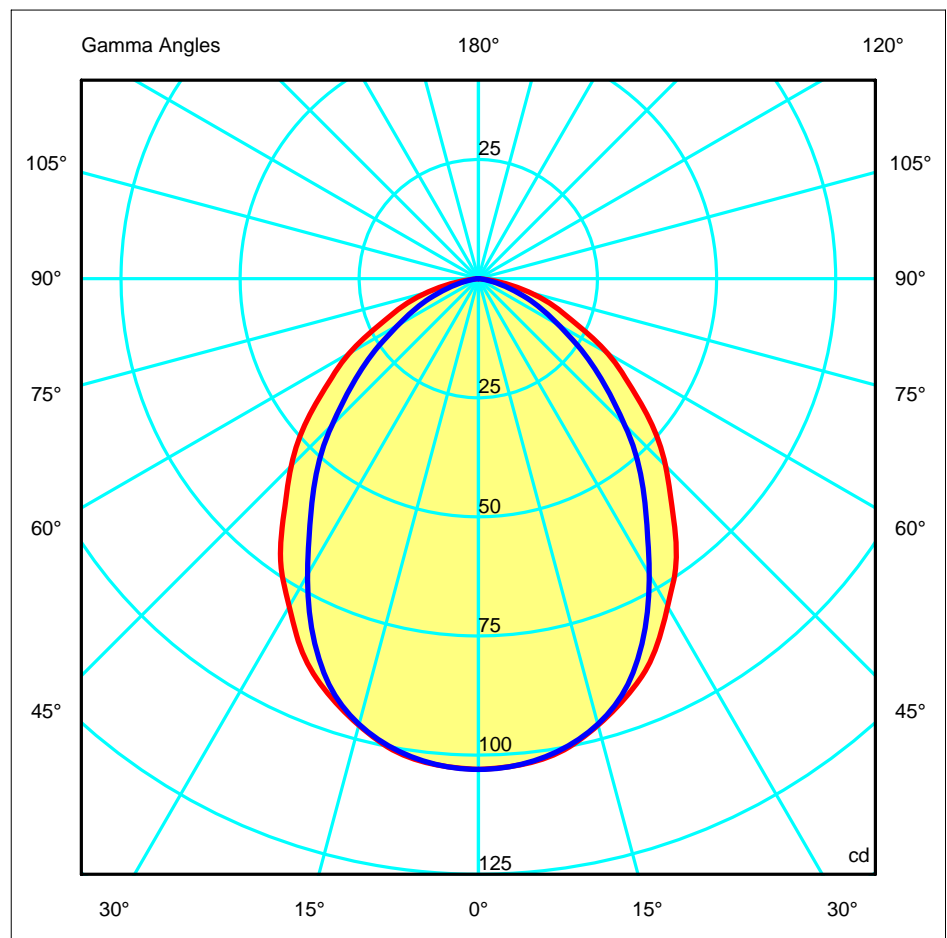
Line	Code	Luminaire Lamps	Flux [lm]	Pow. [W]	Q.ty
- LEDS C4 LEDS	05-8961+71-9713	Name Lámpara leds 3.5W	213.32	3.00	1
C.I.E.	58 87 98 100 100	D DIN 5040	A40		
F UTE	1.00 D	B NBN	BZ 3		

100mm x 240mm



C Halfplanes
 180.0 — 0.0
 270.0 — 90.0

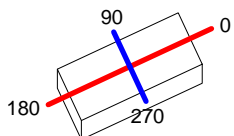
ULOR 0.00 %
 DLOR 100.00 %
 RN 0.00 %



Luminaire		Measur.		Lamp		
Code	05-8961-05-B8	Code	05-9211-Y4-T2	Code	PL-C13W/840/2P	
Name	Aplique 1x13W TC-D dif. opal	Name	Aplique 1x13W TC-D dif. opal	Number	1	
Line	Eulumdat	Date	18-11-2008	Position		
Efficiency	34.17%	Coordinate system	CG	Total Flux	900.00 lm	
Maximum value	124.30 cd	Position	C=0.00 G=0.00	Double Symmetrical		
Rectangular Luminaire	Length	100 mm	Width	235 mm	Height	5 mm
Rectangular Luminous Area	Length	70 mm	Width	200 mm	Height	1 mm
Horizontal Luminous Area	0.014000 m2	Emitting area on Plane 180°		0.000070 m2		
Emitting area on Plane 0°	0.000070 m2	Emitting area on Plane 270°		0.000200 m2		
Emitting area on Plane 90°	0.000200 m2	Glare area at 76°		0.003455 m2		
Symmetry Type	Double Symmetrical	Maximum Gamma Angle	90			
Measurement Distance	0.00	Measurement Flux	900.00 lm			
Operator	OxyTech	Source voltage				
Temperature	25.00 °C	Source current				
Humidity	60.00 %	Photocell				
Notes						

Luminaire Lamps						
Line	Code	Name	Flux [lm]	Pow. [W]	Q.ty	
Eulumdat	PL-C13W/840/2P	PL-C13W/840/2P - 13.00 W	900.00	13.00	1	
C.I.E.	52 82 96 100 34	D DIN 5040	A40			
F UTE	0.34 D	B NBN	BZ 4			

100mm x 235mm



C Halfplanes

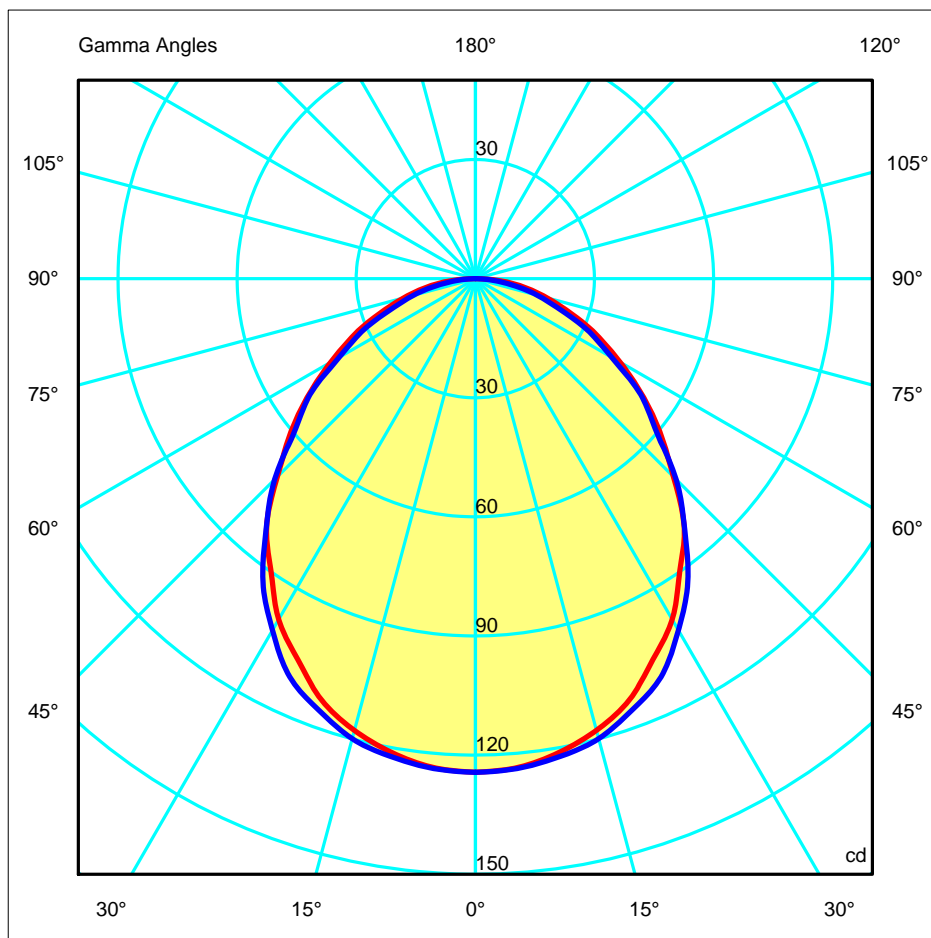
180.0 — 0.0

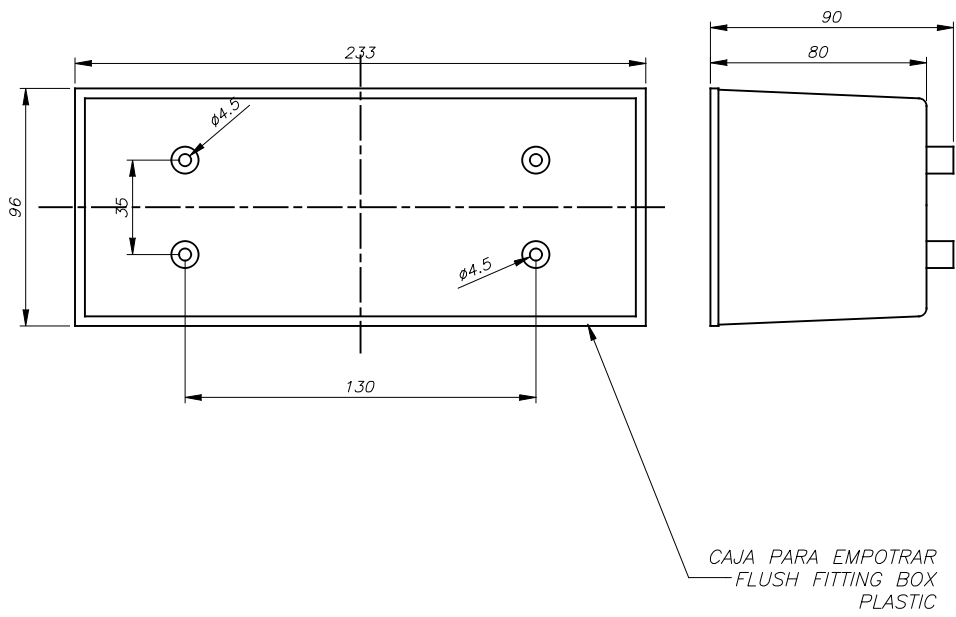
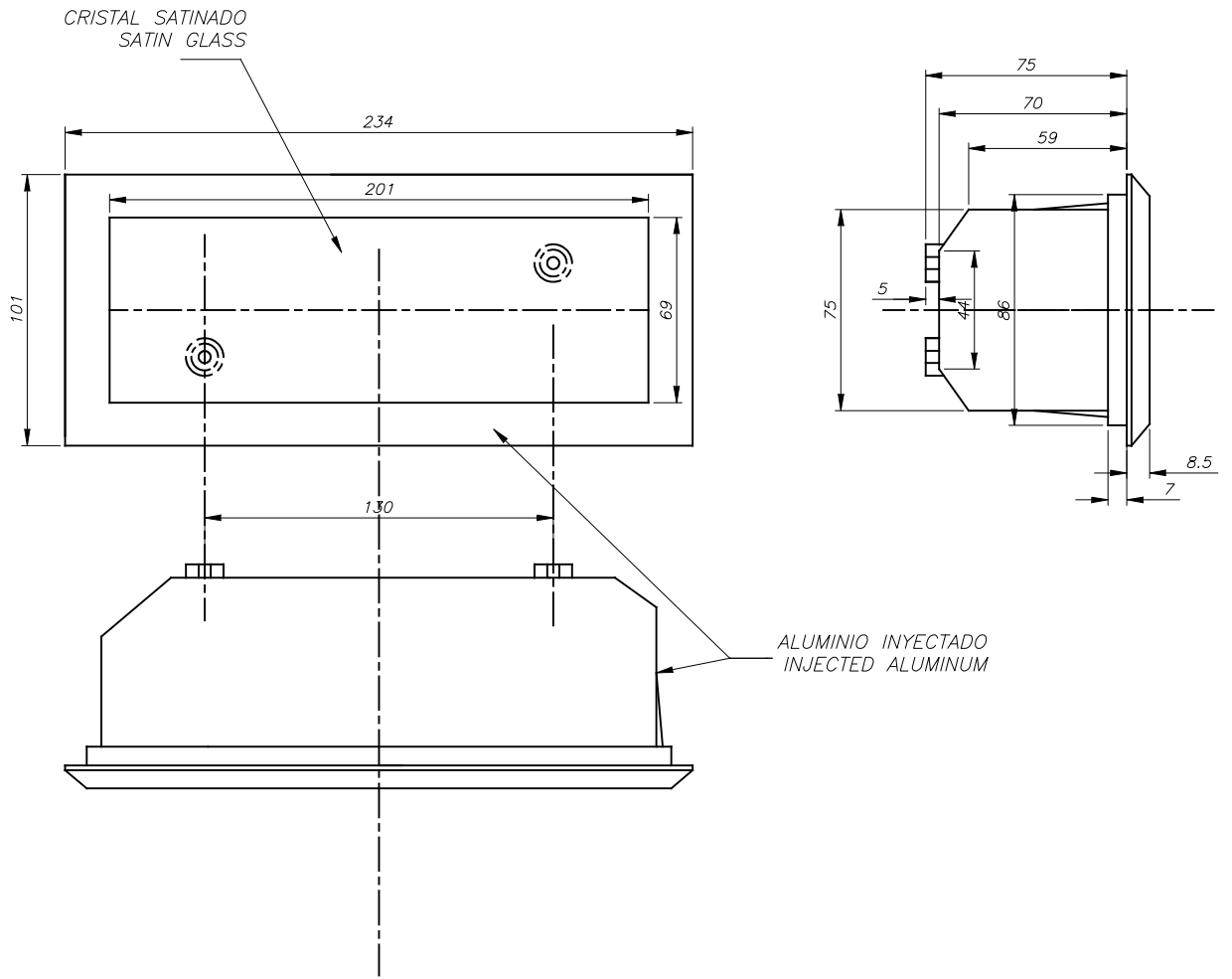
270.0 — 90.0

ULOR 0.00 %

DLOR 34.17 %

RN 0.00 %







LEDS-C4

OUTDOOR

05-8961

