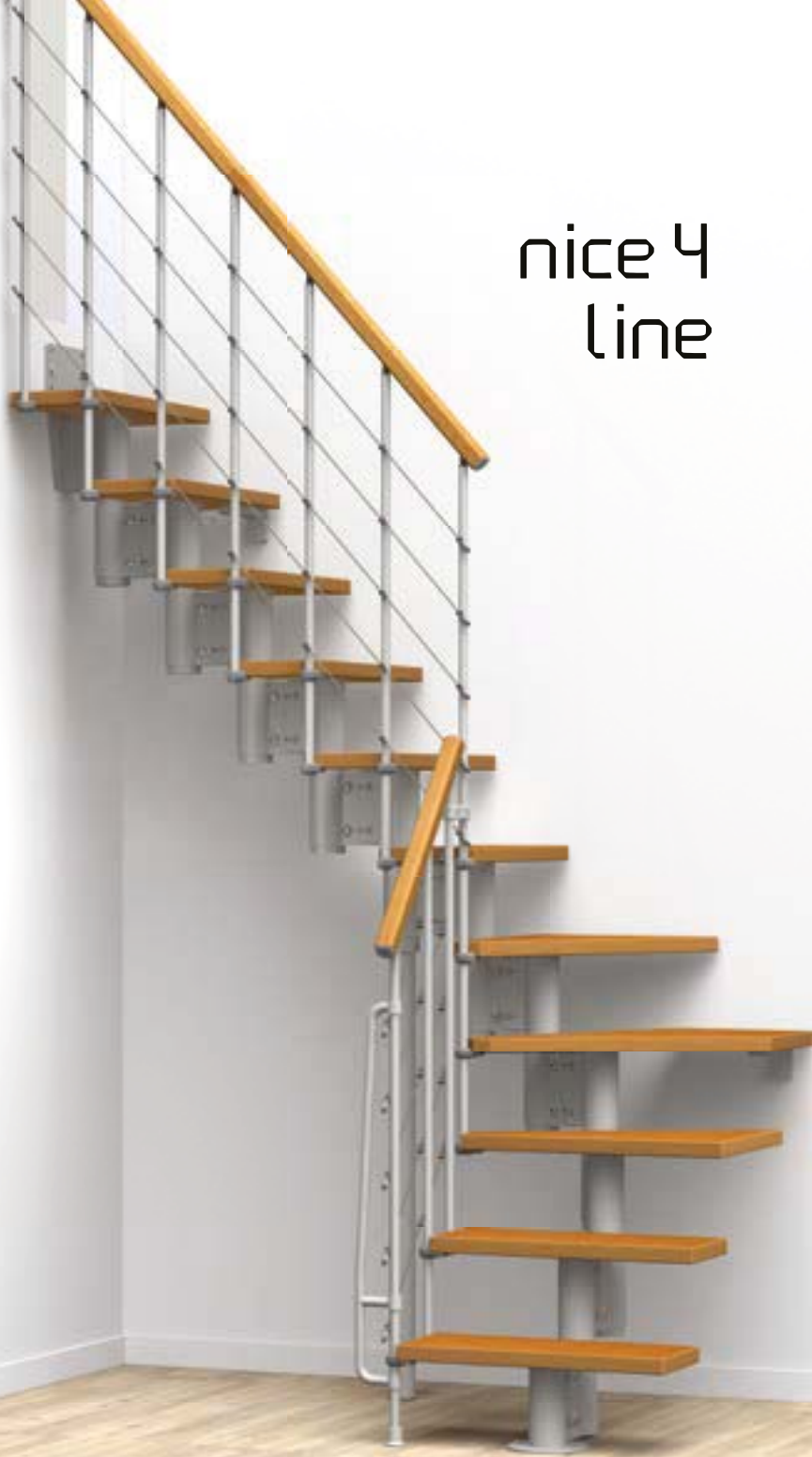


nice 4
line



Copyright by Fontanot S.p.A., first publication september 26, 2014

nice 4 line



13 mm 19 mm
15 mm



PH 2



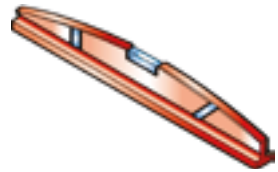
2 mm 4 mm
2,5 mm 5 mm
3 mm 6 mm
 8 mm



Ø 3 mm
Ø 5 mm



Ø 8 x 150 mm
Ø 14 x 150 mm



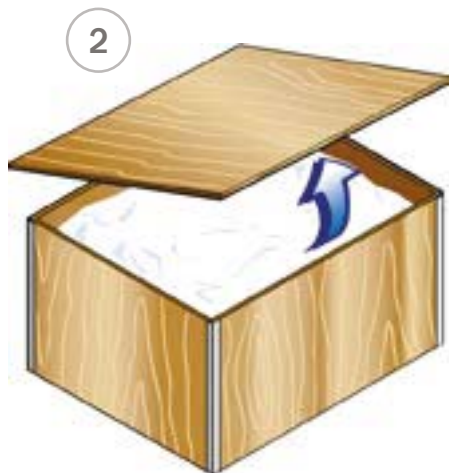
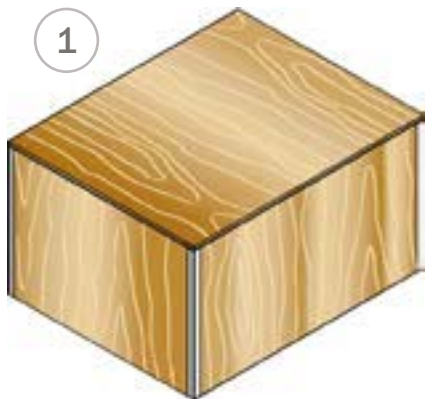
6 mm 19 mm
8 mm 13 mm

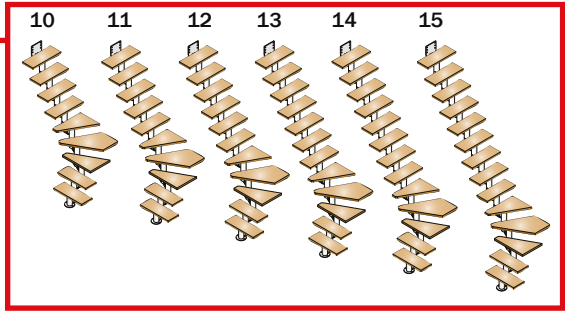
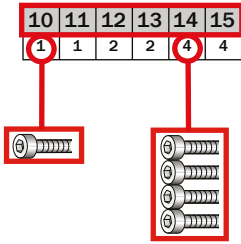


Ø 13 mm



nice 4 line





A09



10	11	12	13	14	15	
"I"	6	6	6	6	6	6
"L"	6	6	6	6	6	6
"U"	6	6	6	6	6	6

A11



10	11	12	13	14	15	
"I"	4	4	4	4	4	4
"L"	3	3	3	3	3	3
"U"	3	3	3	3	3	3

B02



10	11	12	13	14	15	
"I"	23	25	27	29	31	33
"L"	20	22	24	26	28	30
"U"	17	19	21	23	25	27

B12



10	11	12	13	14	15	
"I"	5	5	5	5	5	5
"L"	5	5	5	5	5	5
"U"	5	5	5	5	5	5

B13



10	11	12	13	14	15	
"I"	2	2	2	2	2	2
"L"	2	2	2	2	2	2
"U"	2	2	2	2	2	2

B30



10	11	12	13	14	15	
"I"	32	36	40	44	48	52
"L"	32	36	40	44	48	52
"U"	32	36	40	44	48	52

B35



10	11	12	13	14	15	
"I"	1	1	1	1	1	1
"L"	1	1	1	1	1	1
"U"	1	1	1	1	1	1

B49



10	11	12	13	14	15	
"I"	20	22	24	26	28	30
"L"	16	18	20	22	24	26
"U"	12	14	16	18	20	22

B51



10	11	12	13	14	15	
"I"	3	3	3	3	3	3
"L"	2	2	2	2	2	2
"U"	2	2	2	2	2	2

B65

	10	11	12	13	14	15
"I"	10	11	12	13	14	15
"L"	8	9	10	11	12	13
"U"	6	7	8	9	10	11

B68

	10	11	12	13	14	15
"I"	1	1	1	1	1	1
"L"	1	1	1	1	1	1
"U"	1	1	1	1	1	1

B71

	10	11	12	13	14	15
"I"	16	18	20	22	24	26
"L"	16	18	20	22	24	26
"U"	16	18	20	22	24	26

B75

	10	11	12	13	14	15
"I"	32	36	40	44	48	52
"L"	32	36	40	44	48	52
"U"	32	36	40	44	48	52

B82

	10	11	12	13	14	15
"I"	10	11	12	13	14	15
"L"	8	9	10	11	12	13
"U"	6	7	8	9	10	11

B89

	10	11	12	13	14	15
"I"	1	1	1	1	1	1
"L"	1	1	1	1	1	1
"U"	1	1	1	1	1	1

B95

	10	11	12	13	14	15
"I"	3	3	3	3	3	3
"L"	3	3	3	3	3	3
"U"	3	3	3	3	3	3

BL4

	10	11	12	13	14	15
"I"	1	1	1	1	1	1
"L"	1	1	1	1	1	1
"U"	1	1	1	1	1	1

BL5

	10	11	12	13	14	15
"I"	32	36	40	44	48	52
"L"	32	36	40	44	48	52
"U"	32	36	40	44	48	52

BL6

	10	11	12	13	14	15
"I"	32	36	40	44	48	52
"L"	32	36	40	44	48	52
"U"	32	36	40	44	48	52

BL7

	10	11	12	13	14	15
"I"	16	18	20	22	24	26
"L"	16	18	20	22	24	26
"U"	16	18	20	22	24	26

C03

	10	11	12	13	14	15
"I"	0	0	0	0	0	0
"L"	1	1	1	1	1	1
"U"	2	2	2	2	2	2

C13

	10	11	12	13	14	15
"I"	18	20	22	24	26	28
"L"	15	17	19	21	23	25
"U"	12	14	16	18	20	22

C43

	10	11	12	13	14	15
"I"	6	6	6	6	6	6
"L"	6	6	6	6	6	6
"U"	6	6	6	6	6	6

C49

	10	11	12	13	14	15
"I"	3	3	3	3	3	3
"L"	3	3	3	3	3	3
"U"	5	5	5	5	5	5

C50

	10	11	12	13	14	15
"I"	3	3	3	3	3	3
"L"	3	3	3	3	3	3
"U"	5	5	5	5	5	5

C54

	10	11	12	13	14	15
"I"	10	11	12	13	14	15
"L"	8	9	10	11	12	13
"U"	6	7	8	9	10	11

C57

	10	11	12	13	14	15
"I"	76	84	92	100	108	116
"L"	70	78	86	94	102	110
"U"	64	72	80	88	96	104

C58

	10	11	12	13	14	15
"I"	5	5	5	5	5	5
"L"	5	5	5	5	5	5
"U"	5	5	5	5	5	5

C59

	10	11	12	13	14	15
"I"	10	11	12	13	14	15
"L"	8	9	10	11	12	13
"U"	6	7	8	9	10	11

C69

	10	11	12	13	14	15
"I"	50	55	60	65	70	75
"L"	40	45	50	55	60	65
"U"	30	35	40	45	50	55

C76

	10	11	12	13	14	15
"I"	10	10	10	10	10	10
"L"	20	20	20	20	20	20
"U"	30	30	30	30	30	30

C77

	10	11	12	13	14	15
"I"	50	55	60	65	70	75
"L"	40	45	50	55	60	65
"U"	30	35	40	45	50	55

CB6

	10	11	12	13	14	15
"I"	10	11	12	13	14	15
"L"	8	9	10	11	12	13
"U"	6	7	8	9	10	11

nice 4 line

CF8



	10	11	12	13	14	15
"I"	16	18	20	22	24	26
"L"	16	18	20	22	24	26
"U"	16	18	20	22	24	26

D31



	10	11	12	13	14	15
"I"	1	1	1	1	1	1
"L"	1	1	1	1	1	1
"U"	1	1	1	1	1	1

D36



	10	11	12	13	14	15
"I"	10	10	10	10	10	10
"L"	20	20	20	20	20	20
"U"	30	30	30	30	30	30

D37



	10	11	12	13	14	15
"I"	10	10	10	10	10	10
"L"	20	20	20	20	20	20
"U"	30	30	30	30	30	30

D49



	10	11	12	13	14	15
"I"	3	3	3	3	3	3
"L"	3	3	3	3	3	3
"U"	3	3	3	3	3	3

F01



	10	11	12	13	14	15
"I"	2	2	2	2	2	2
"L"	2	2	2	2	2	2
"U"	2	2	2	2	2	2

F07



	10	11	12	13	14	15
"I"	1	1	1	1	1	1
"L"	1	1	1	1	1	1
"U"	1	1	1	1	1	1

F08



	10	11	12	13	14	15
"I"	6	6	6	6	6	6
"L"	6	6	6	6	6	6
"U"	10	10	10	10	10	10

F09



	10	11	12	13	14	15
"I"	1	1	1	1	1	1
"L"	1	1	1	1	1	1
"U"	1	1	1	1	1	1

F12



	10	11	12	13	14	15
"I"	2	2	2	2	2	2
"L"	2	2	2	2	2	2
"U"	2	2	2	2	2	2

F20



	10	11	12	13	14	15
"I"	4	4	4	4	4	4
"L"	4	4	4	4	4	4
"U"	4	4	4	4	4	4

F23



	10	11	12	13	14	15
"I"	18	20	22	24	26	28
"L"	15	17	19	21	23	25
"U"	12	14	16	18	20	22

F30



	10	11	12	13	14	15
"I"	2	2	2	2	2	2
"L"	2	2	2	2	2	2
"U"	0	0	0	0	0	0

F37



	10	11	12	13	14	15
"I"	0	0	0	0	0	0
"L"	0	0	0	0	0	0
"U"	1	1	1	1	1	1

G08



	10	11	12	13	14	15
"I"	1	1	1	1	1	1
"L"	1	1	1	1	1	1
"U"	1	1	1	1	1	1

L46



	10	11	12	13	14	15
"I"	9	10	11	12	13	14
"L"	6	7	8	9	10	11
"U"	3	4	5	6	7	8

L47



	10	11	12	13	14	15
"I"	0	0	0	0	0	0
"L"	1	1	1	1	1	1
"U"	2	2	2	2	2	2

L48



	10	11	12	13	14	15
"I"	0	0	0	0	0	0
"L"	1	1	1	1	1	1
"U"	2	2	2	2	2	2

L49



	10	11	12	13	14	15
"I"	0	0	0	0	0	0
"L"	1	1	1	1	1	1
"U"	2	2	2	2	2	2

N31



	10	11	12	13	14	15
"I"	8	9	10	11	12	13
"L"	8	9	10	11	12	13
"U"	8	9	10	11	12	13

N32



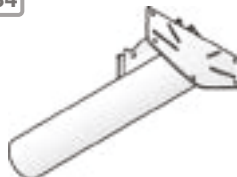
	10	11	12	13	14	15
"I"	1	1	1	1	1	1
"L"	1	1	1	1	1	1
"U"	1	1	1	1	1	1

N33



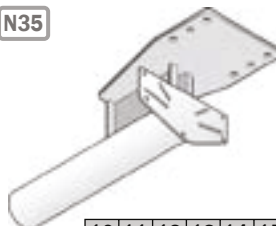
	10	11	12	13	14	15
"I"	1	1	1	1	1	1
"L"	1	1	1	1	1	1
"U"	1	1	1	1	1	1

N34



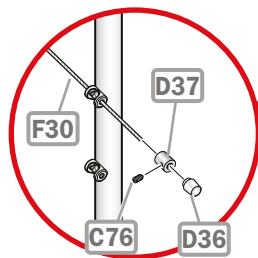
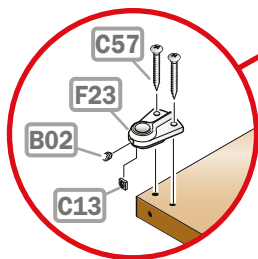
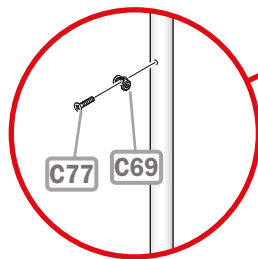
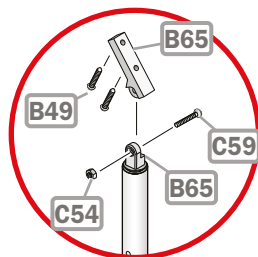
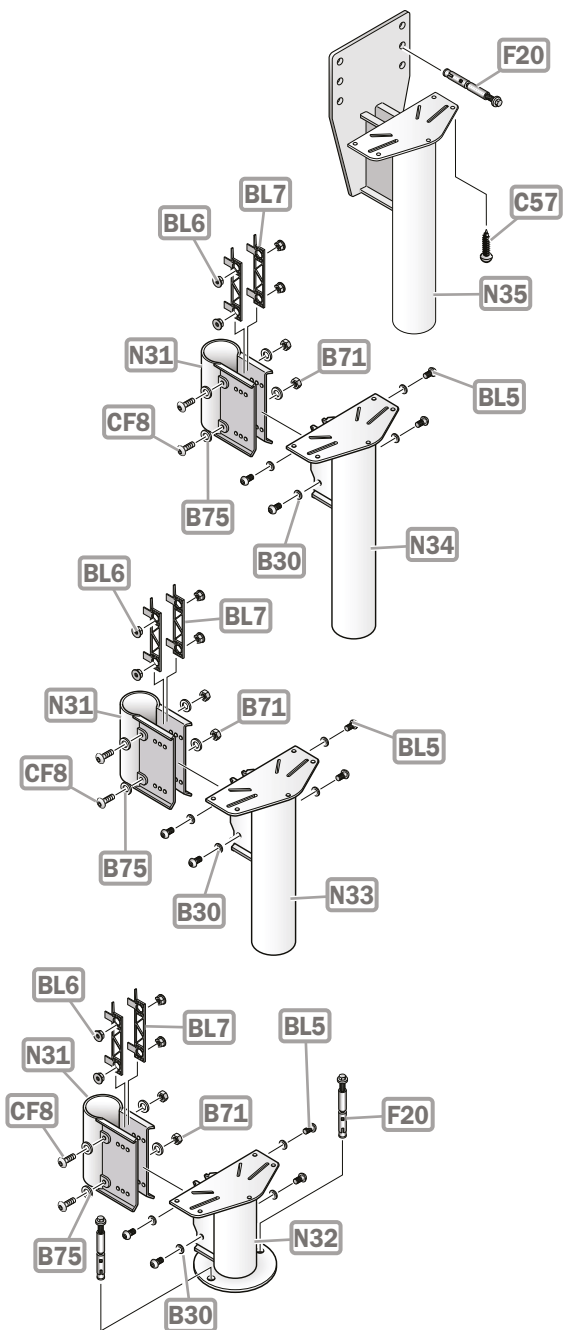
	10	11	12	13	14	15
"I"	6	7	8	9	10	11
"L"	6	7	8	9	10	11
"U"	6	7	8	9	10	11

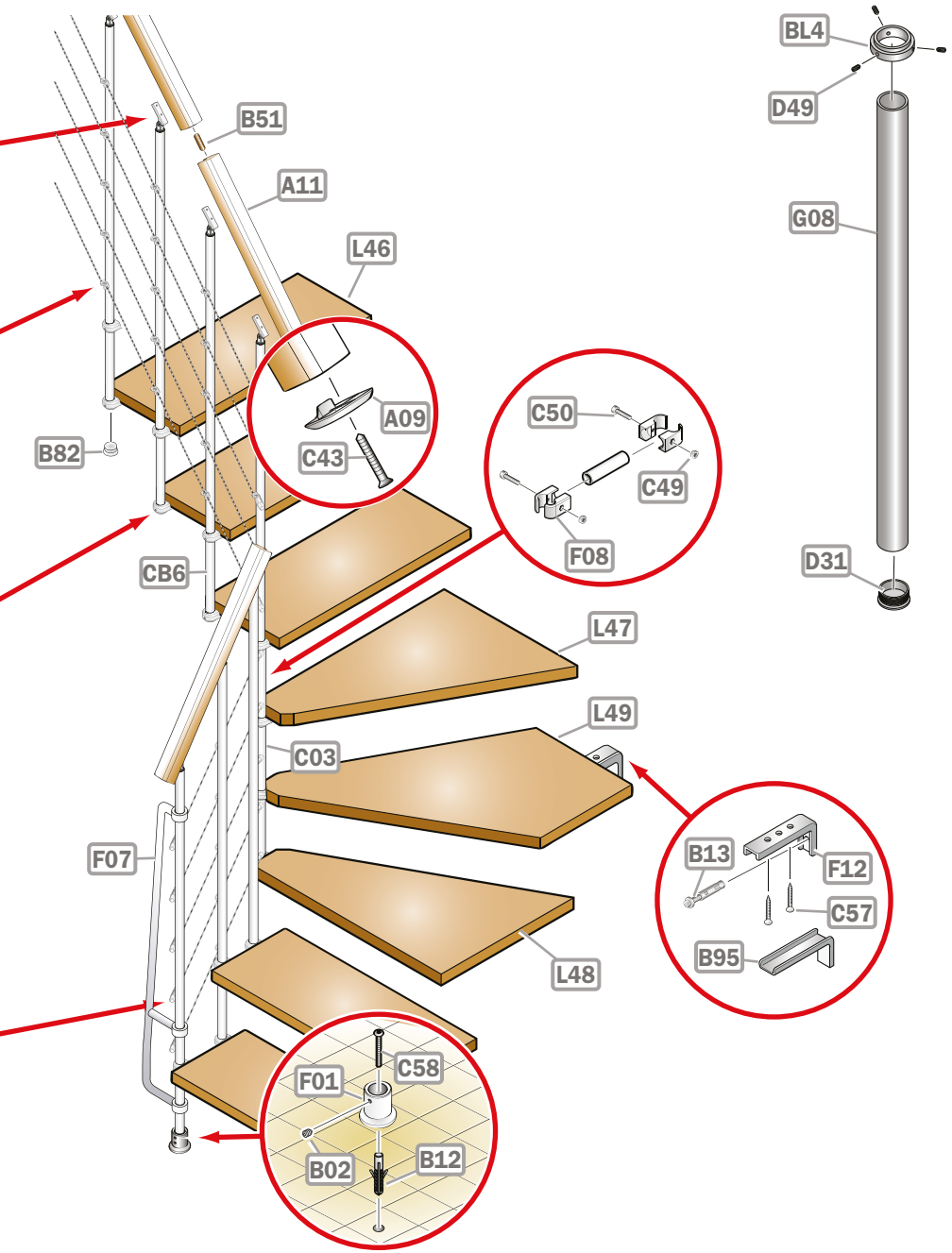
N35



	10	11	12	13	14	15
"I"	1	1	1	1	1	1
"L"	1	1	1	1	1	1
"U"	1	1	1	1	1	1

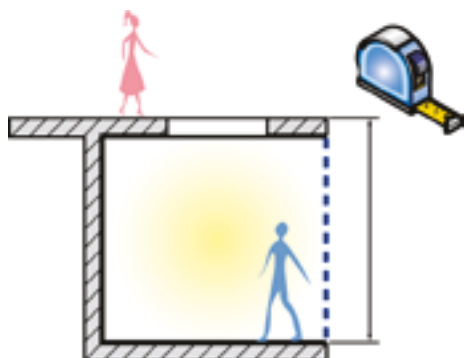
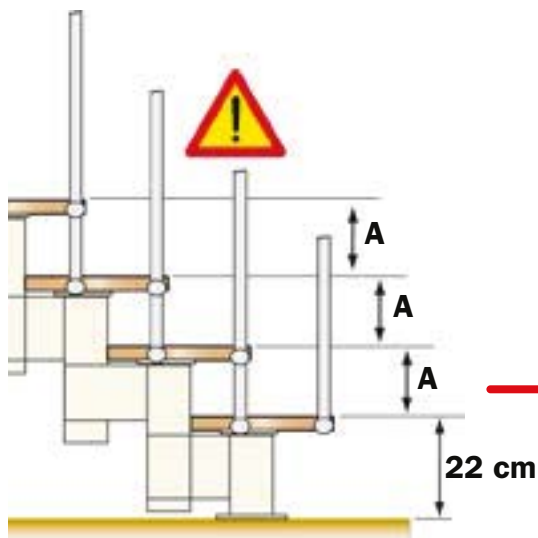
nice 4 line





nice 4 line

4



10 (N) → H = 193 ÷ 234 cm

11 (N) → H = 212 ÷ 257 cm

12 (N) → H = 231 ÷ 281 cm

13 (N) → H = 250 ÷ 304 cm

14 (N) → H = 269 ÷ 328 cm

15 (N) → H = 288 ÷ 351 cm

10 (N)

11 (N)

12 (N)

13 (N)

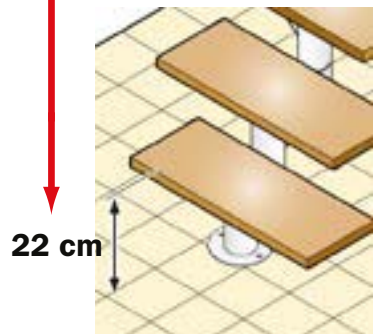
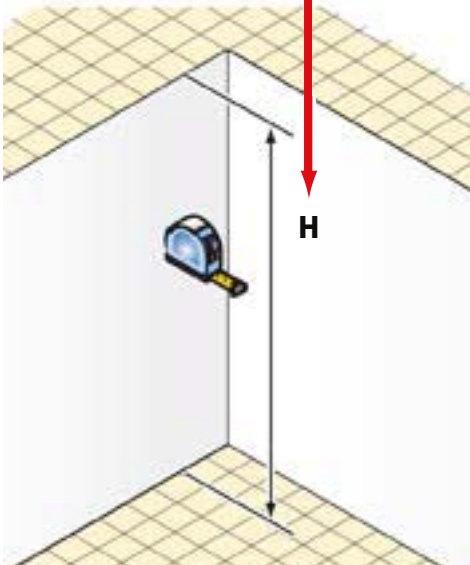
14 (N)

15 (N)



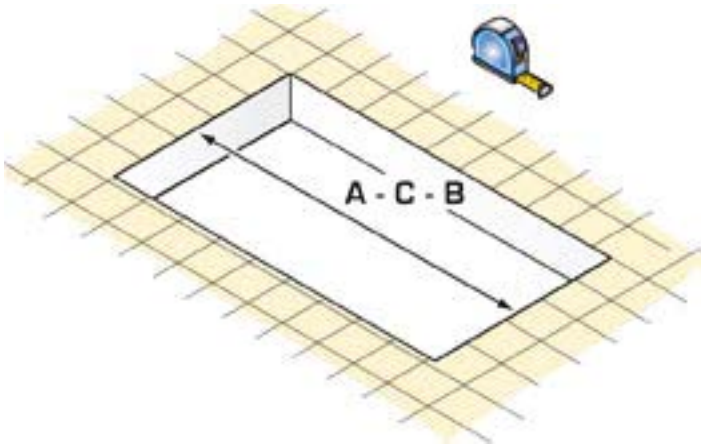
$A = H - 22 \text{ cm} / N - 1$

$(A = 19 \div 23,5 \text{ cm})$

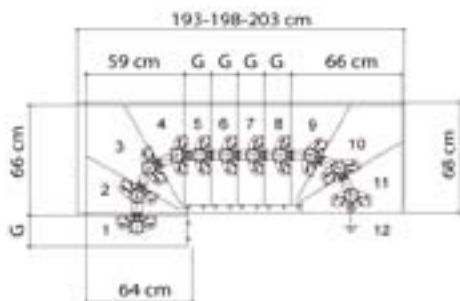
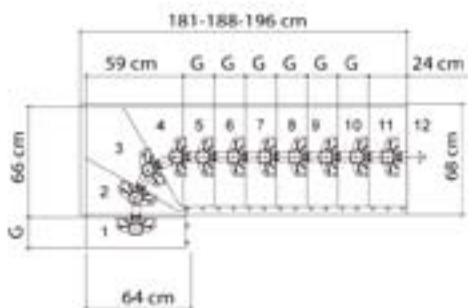
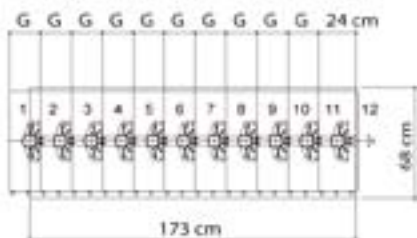


nice 4 line

5



102 - 129

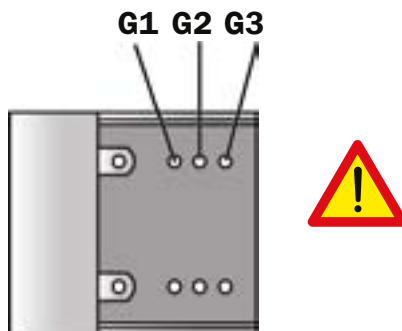
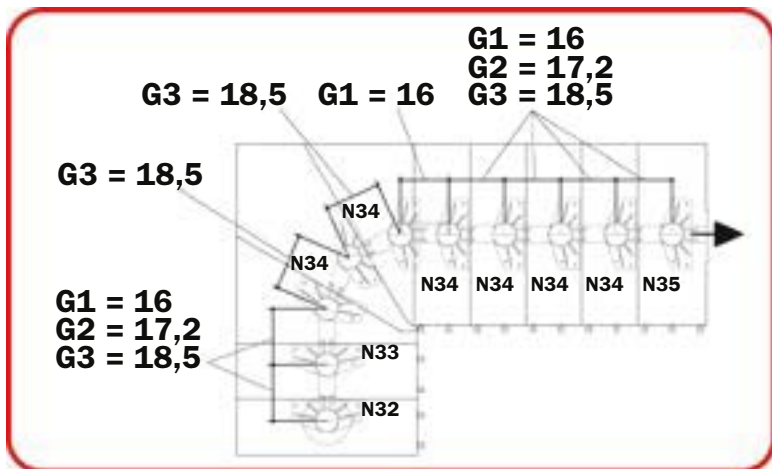


$G = 16 \text{ cm}$
 $G = 17,2 \text{ cm}$
 $G = 18,5 \text{ cm}$

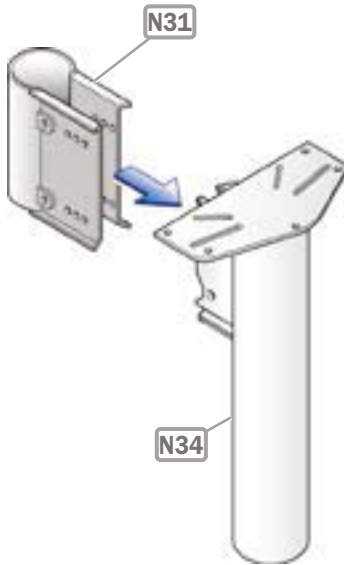


16

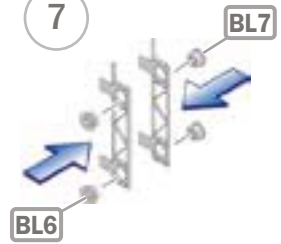
nice 4 line



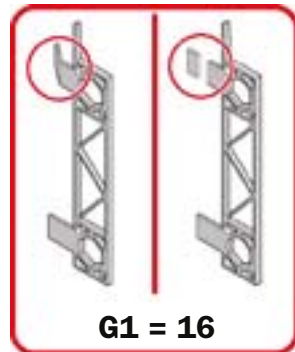
6



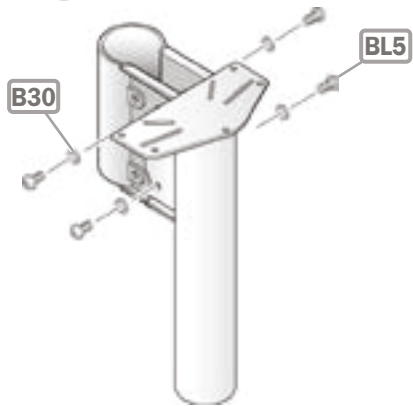
7



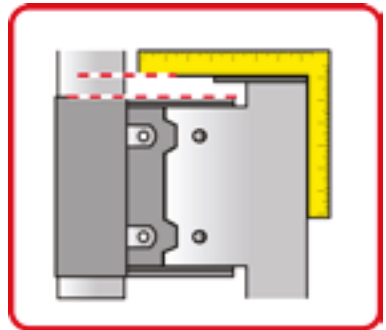
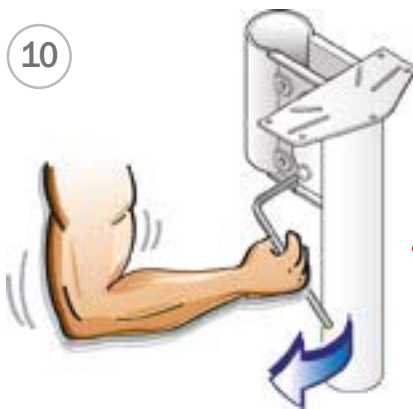
8

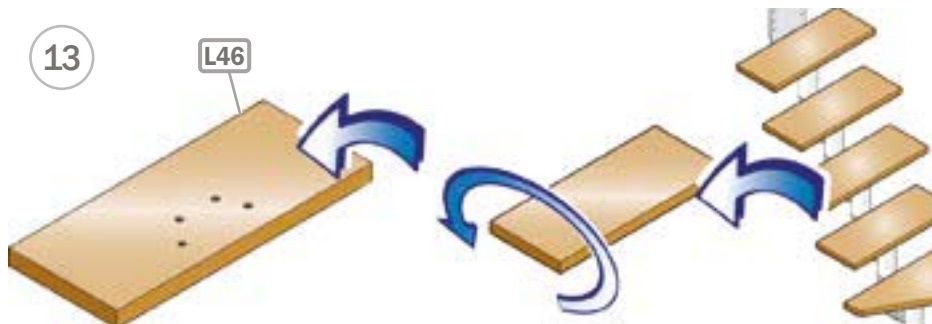
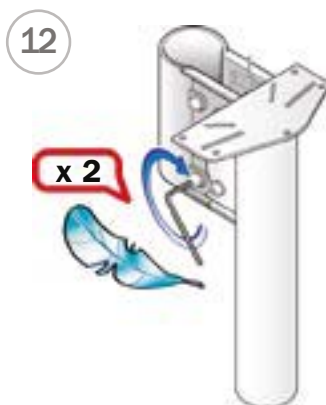
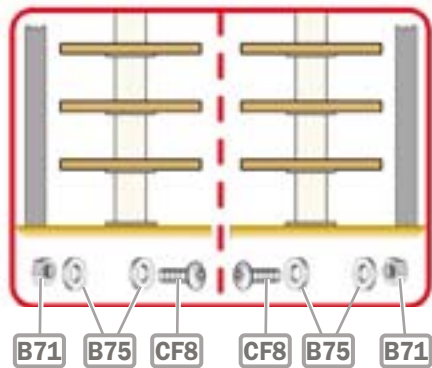
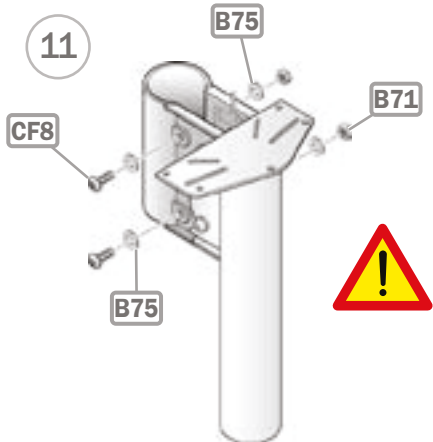


9

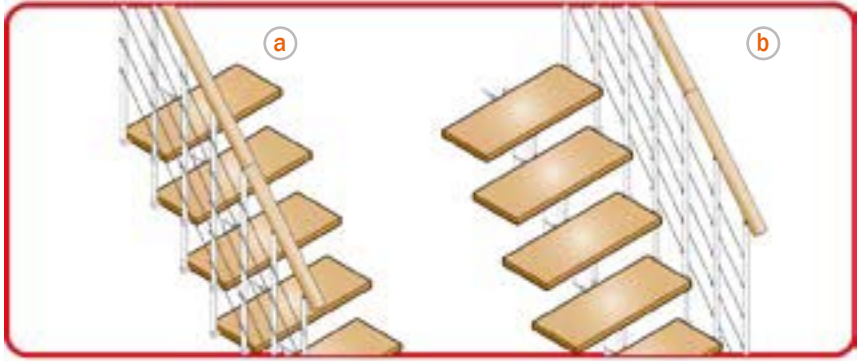


10

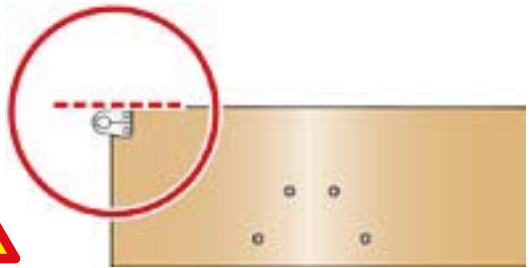
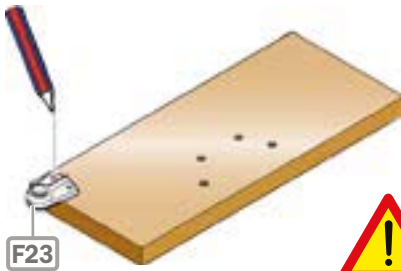




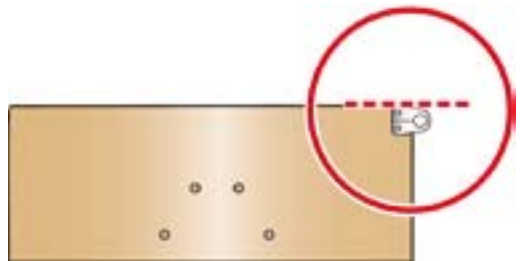
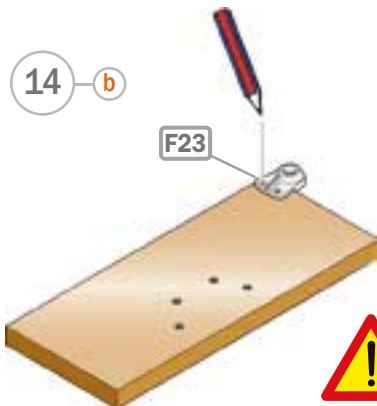
nice 4 line



14 a

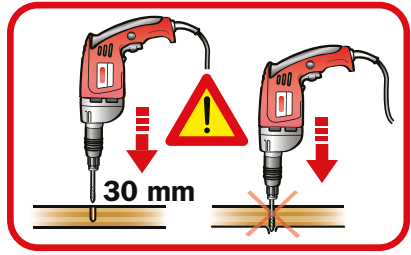
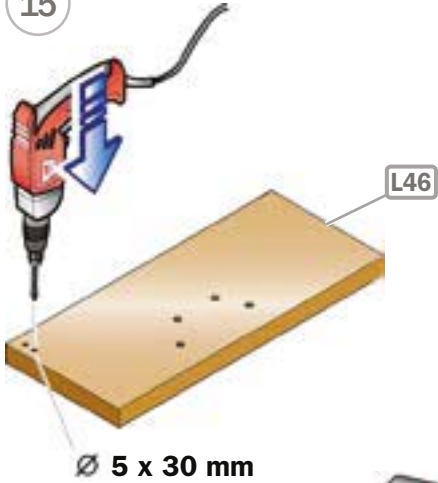


14 b

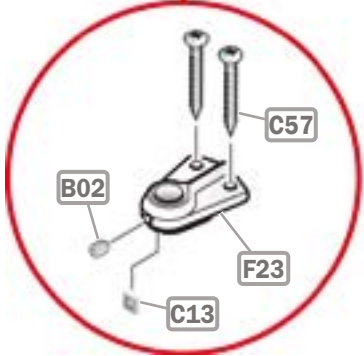
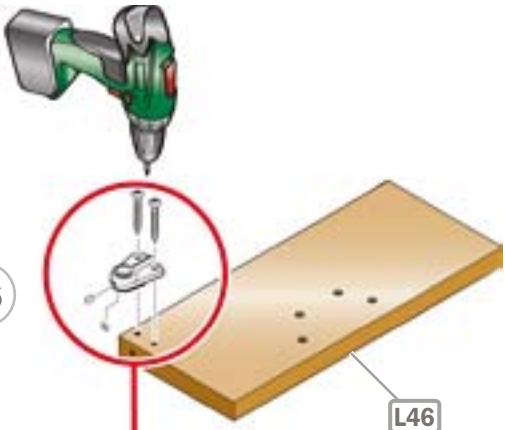


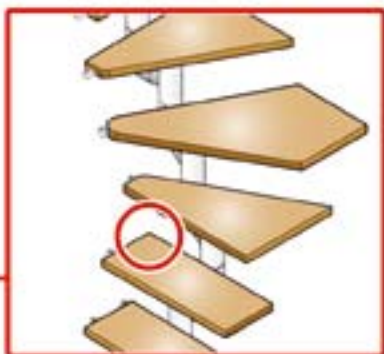
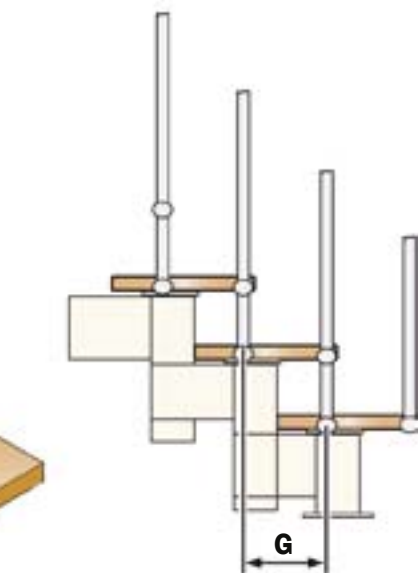
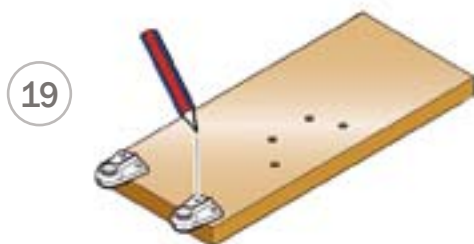
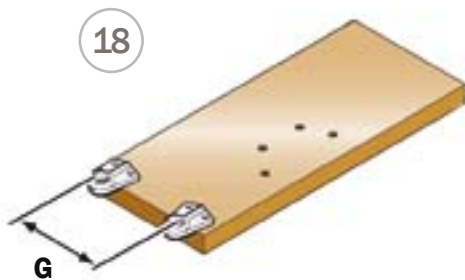
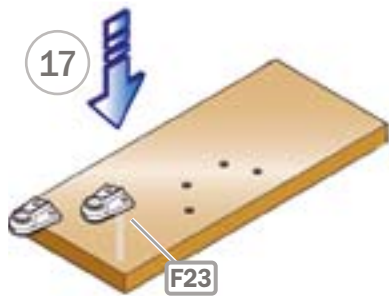
nice 4 line

15



16





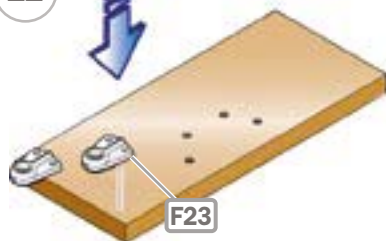
nice 4 line



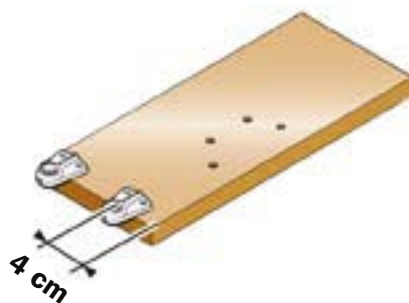
F23



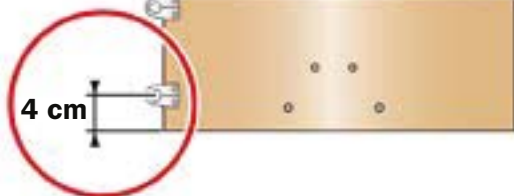
22



F23



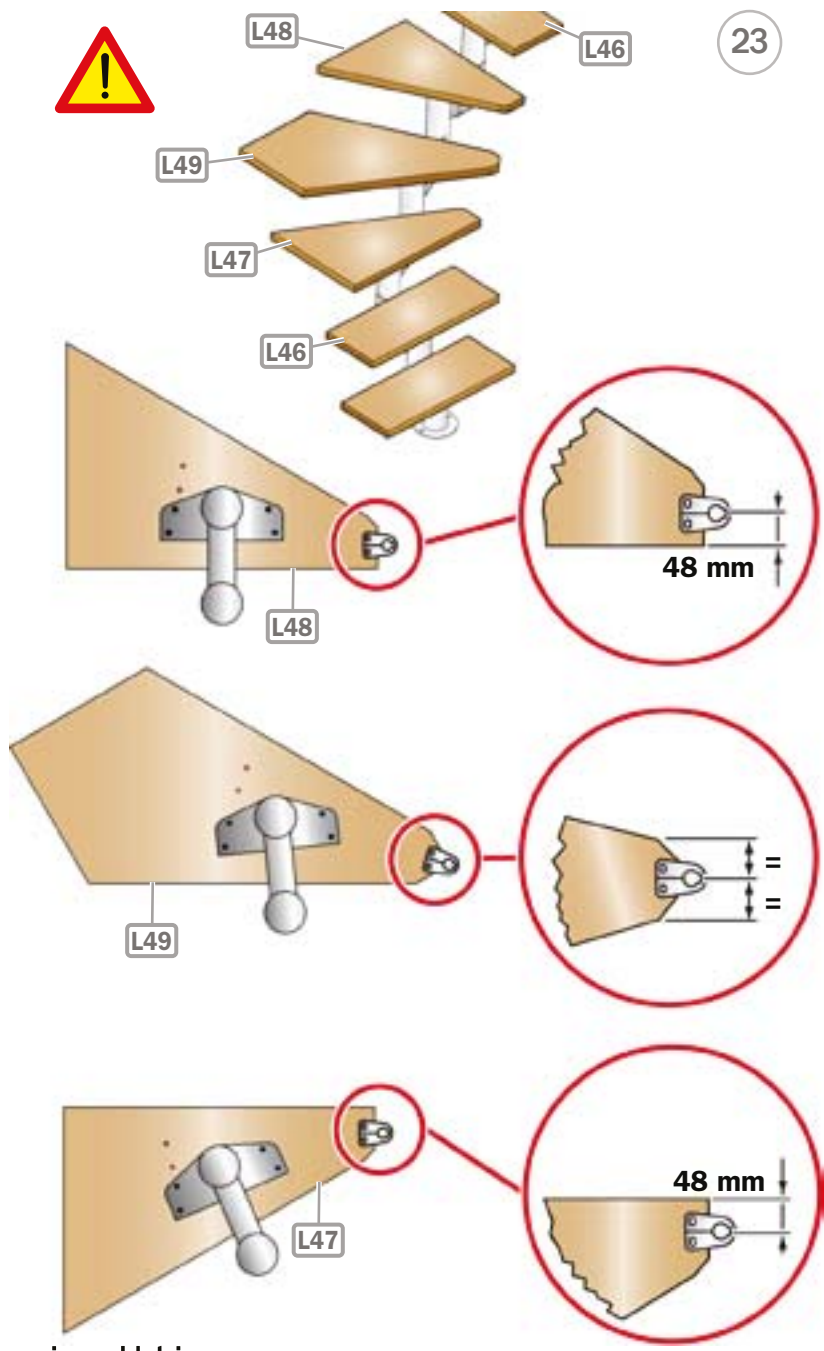
4 cm



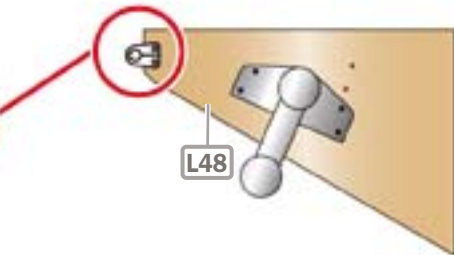
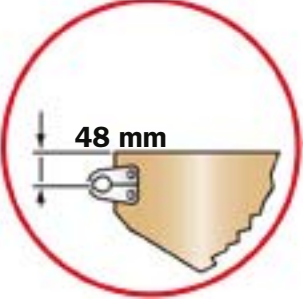
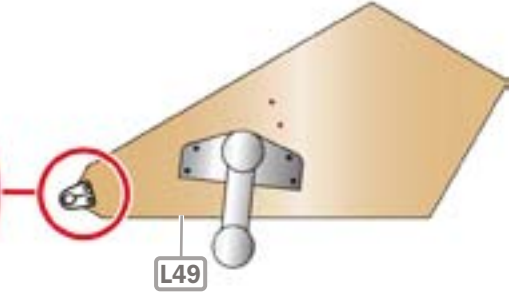
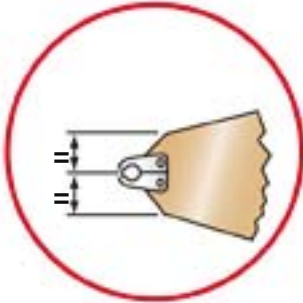
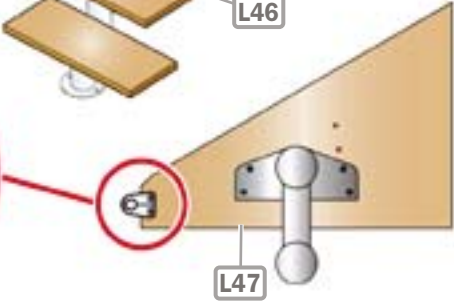
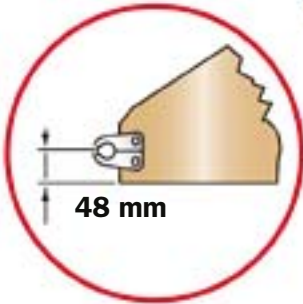
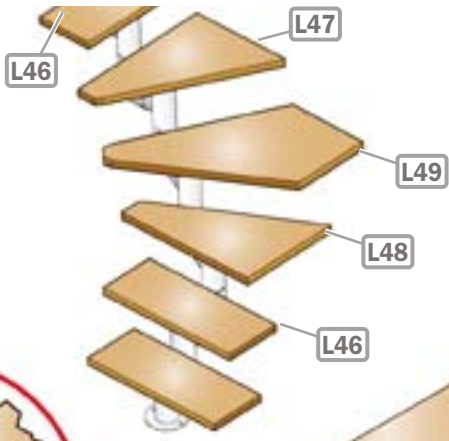
4 cm



23



nice 4 line

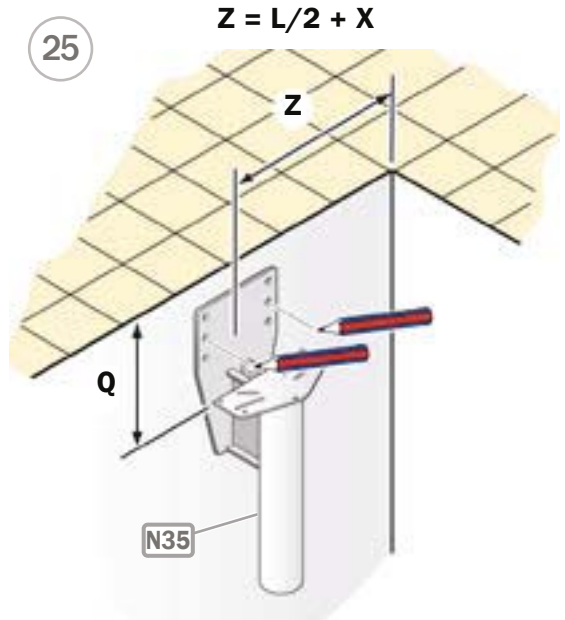


nice 4 line

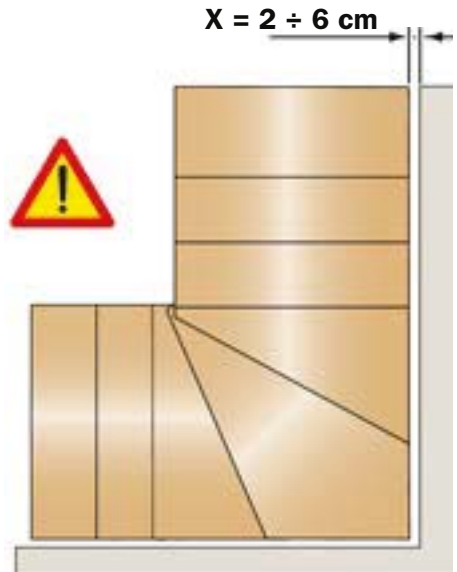
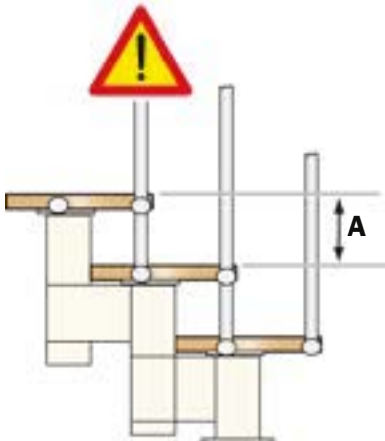
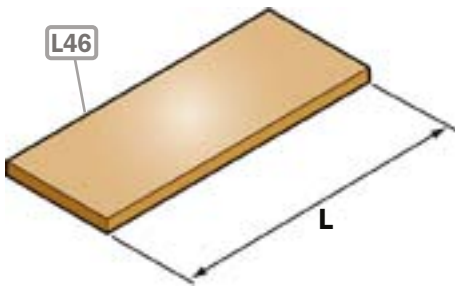


$$Q = A + 3,5 \text{ cm}$$

25

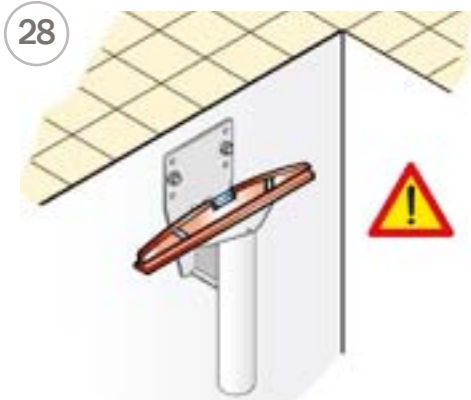
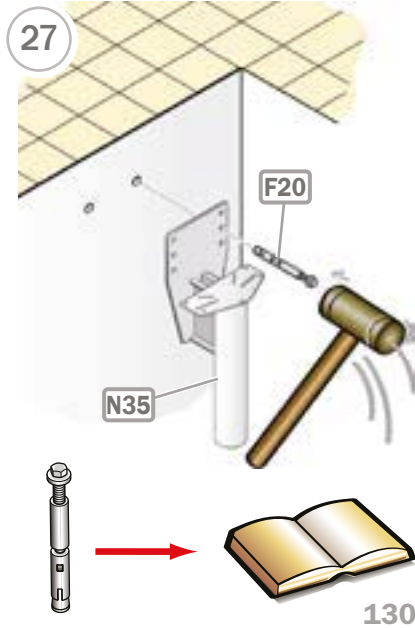
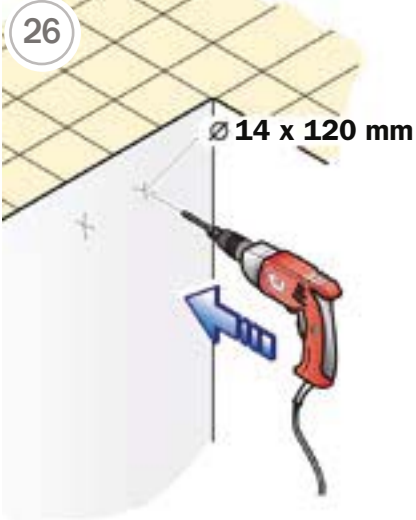


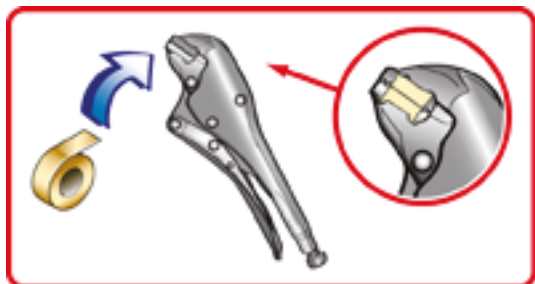
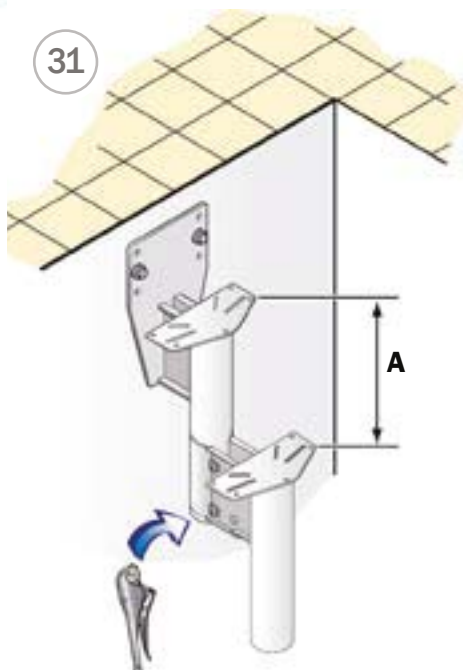
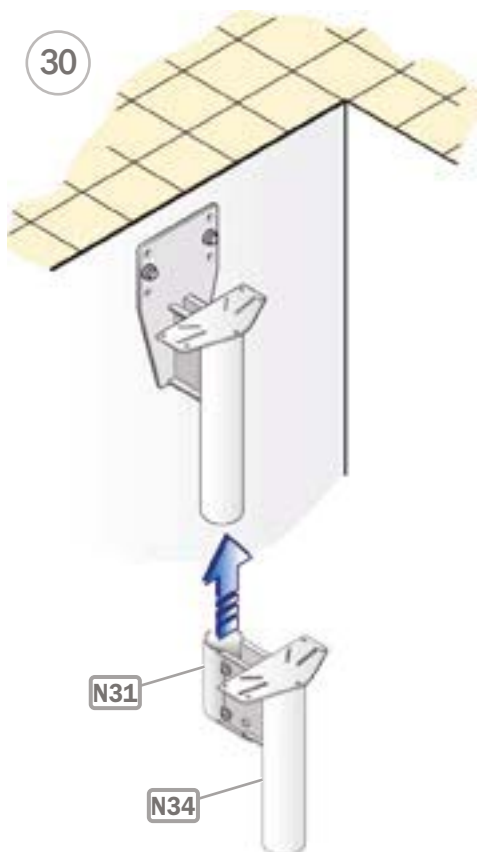
$$Z = L/2 + X$$

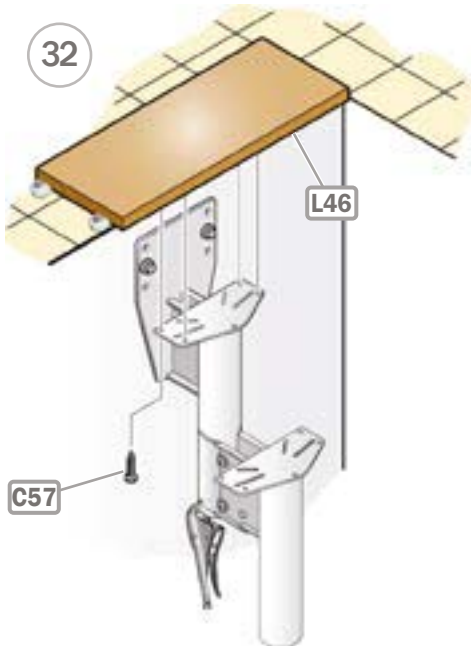


$$X = 2 \div 6 \text{ cm}$$

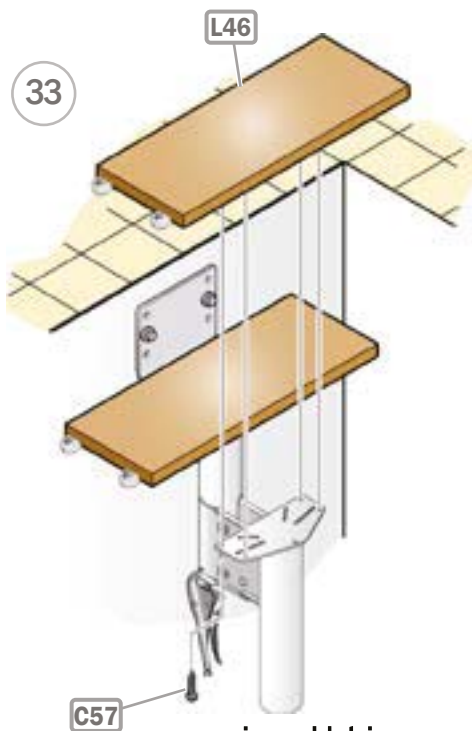
nice 4 line



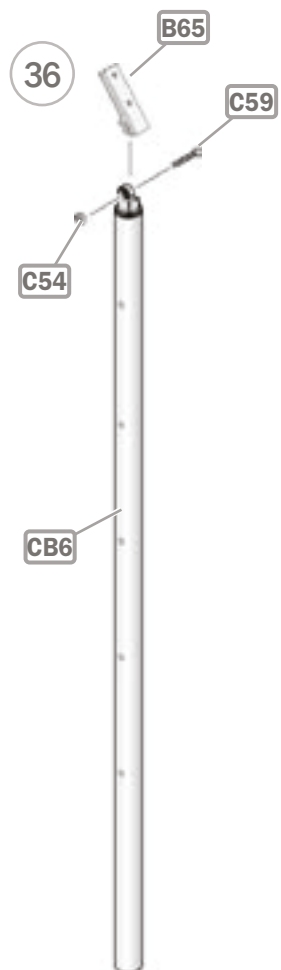
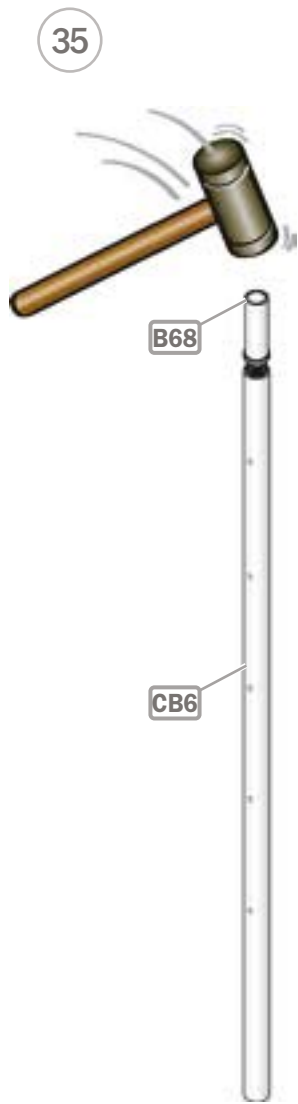
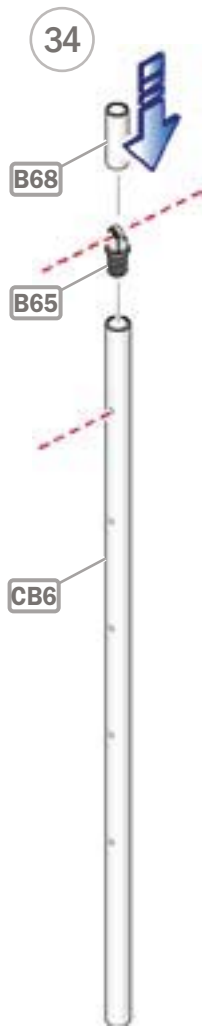


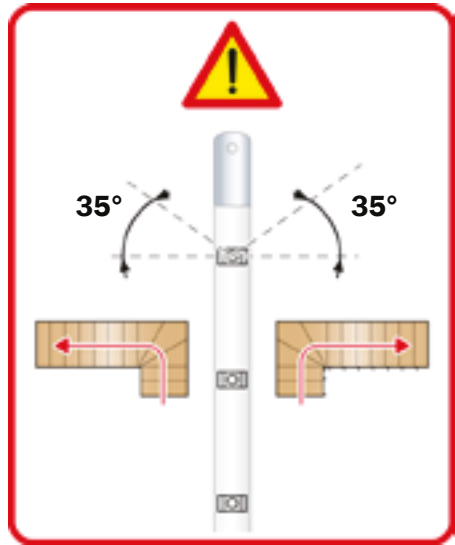
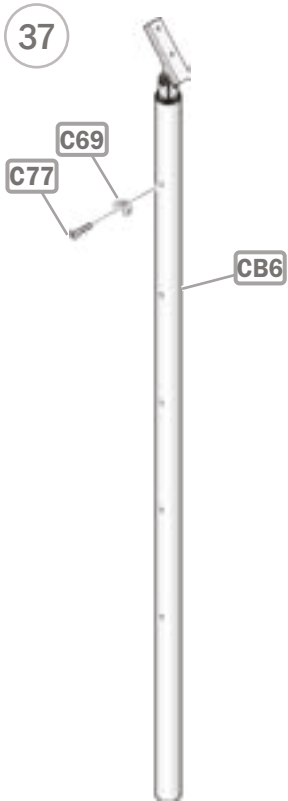


23

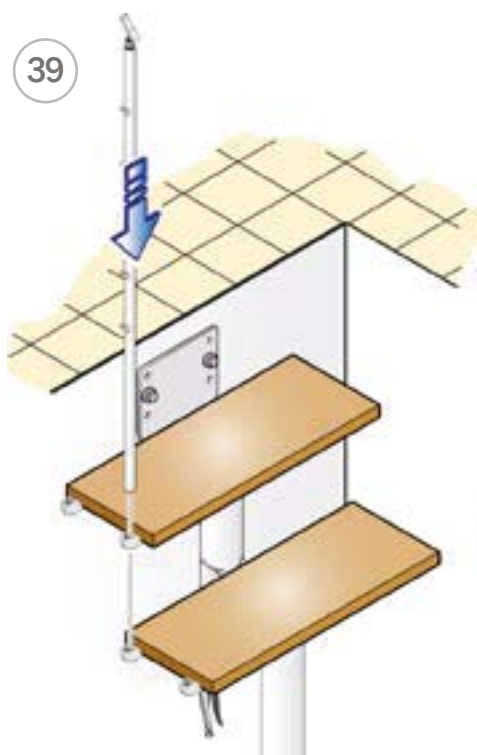


nice 4 line

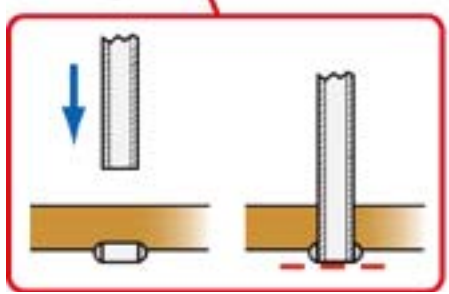
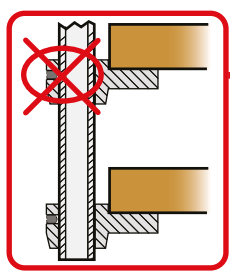
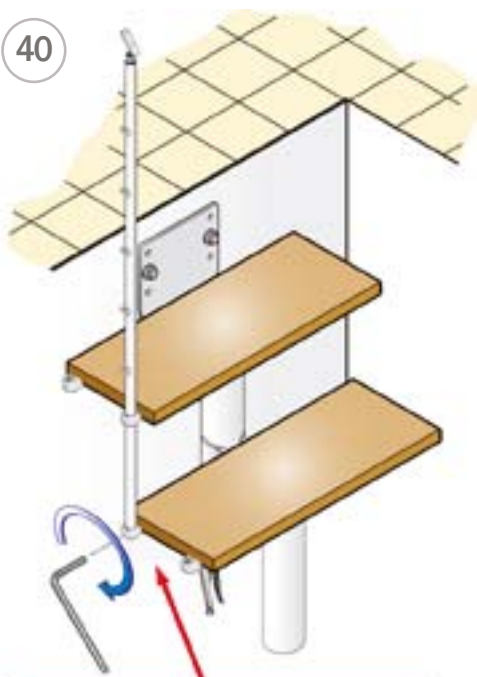




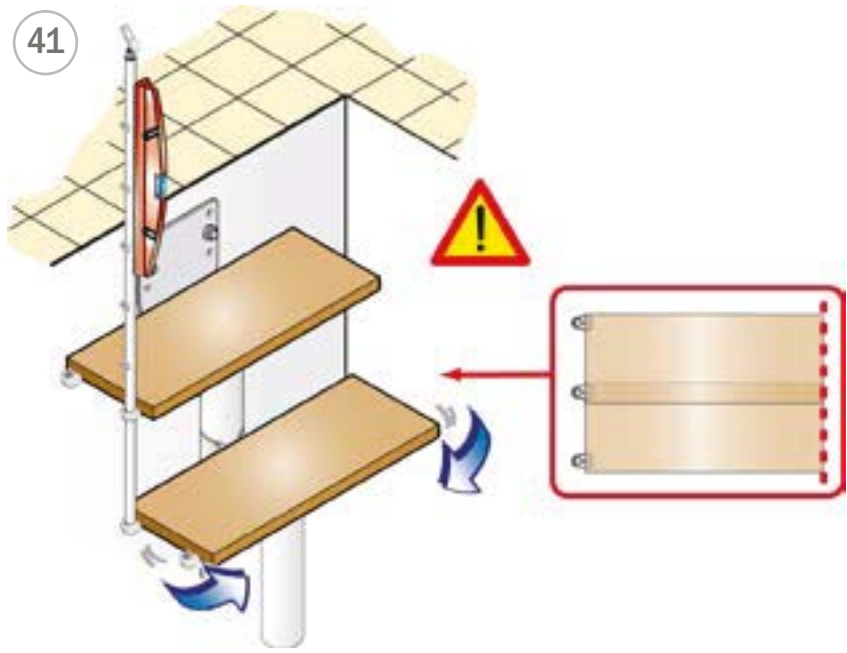
39



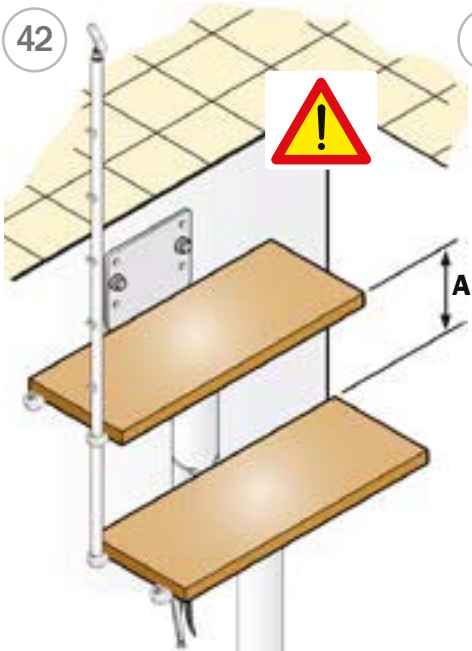
40



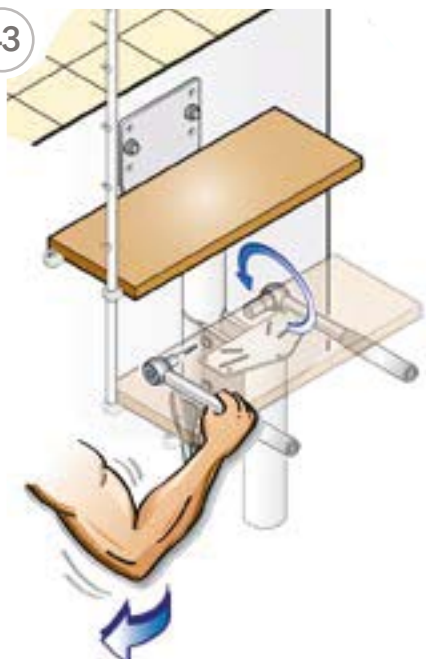
41



42

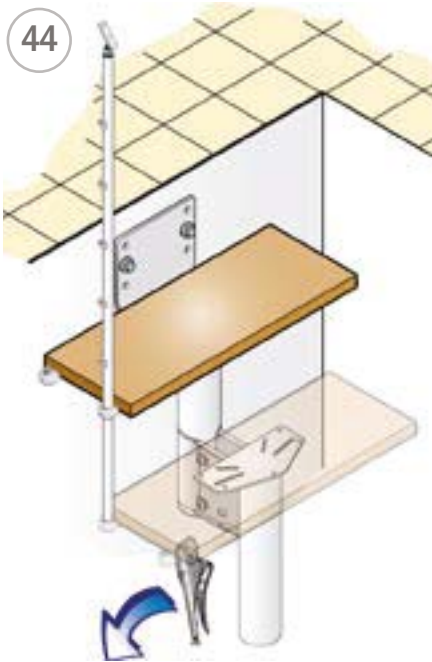


43

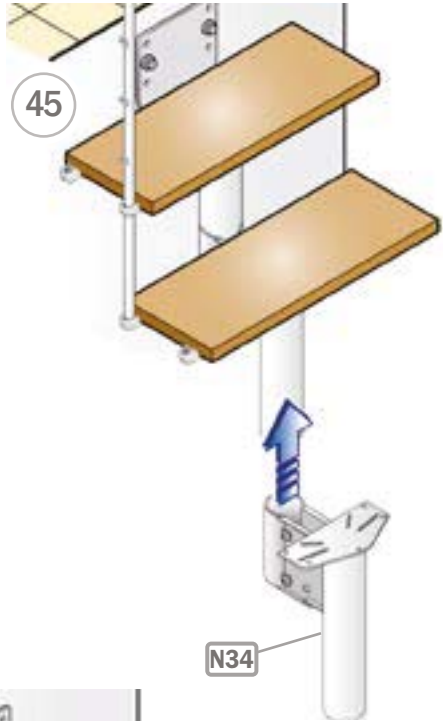


nice 4 line

44

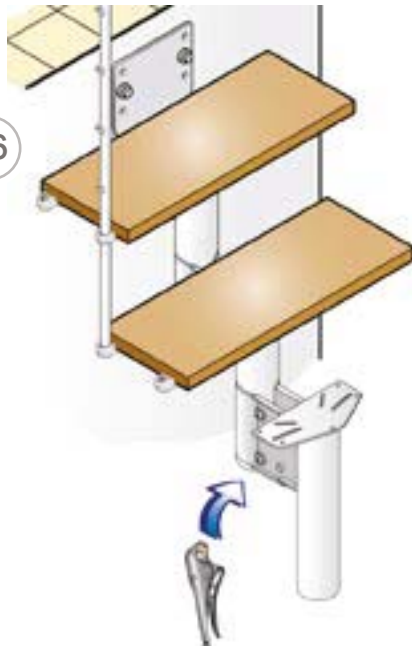


45

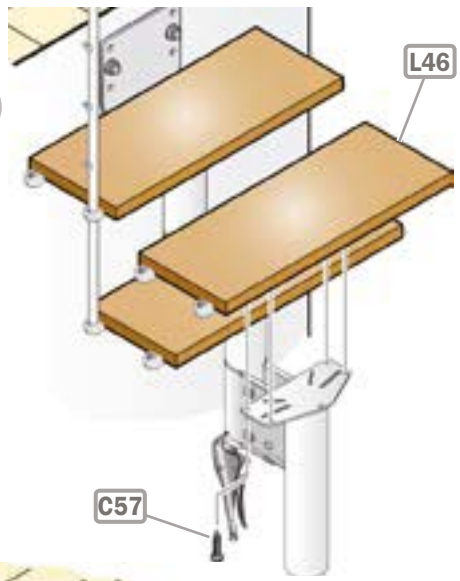


N34

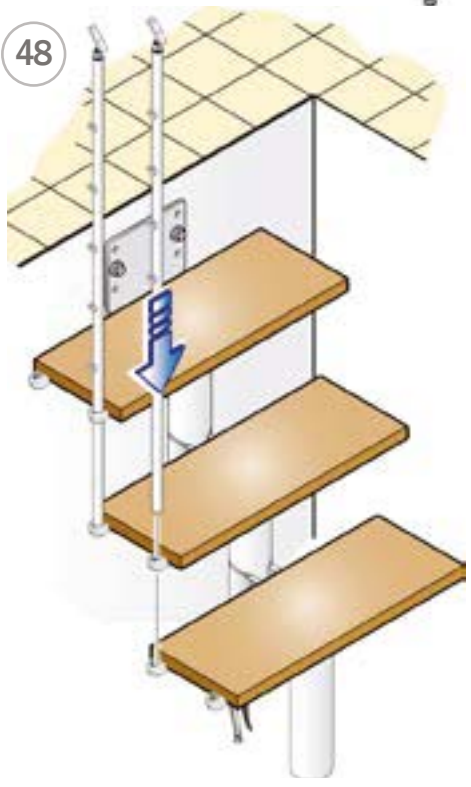
46



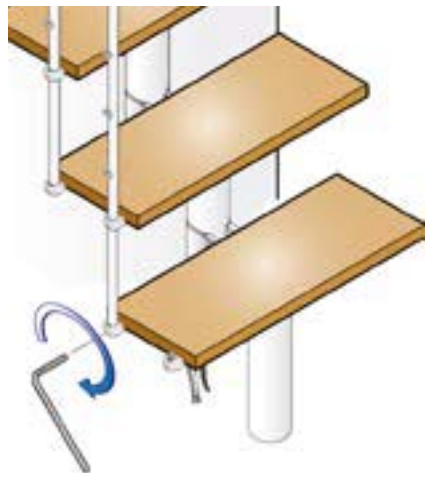
47



48

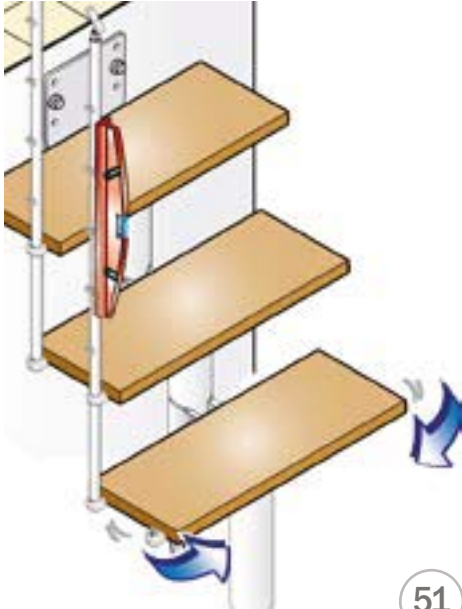


49

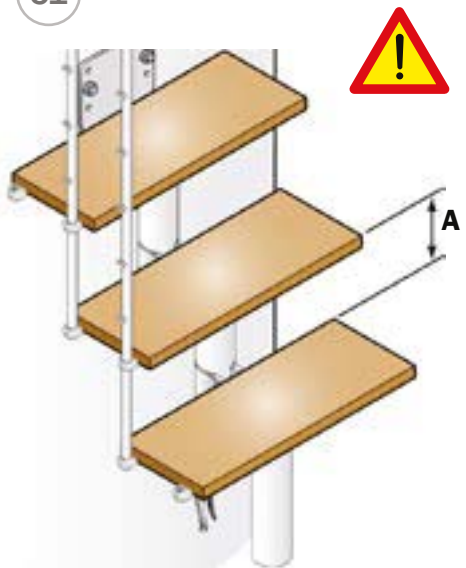


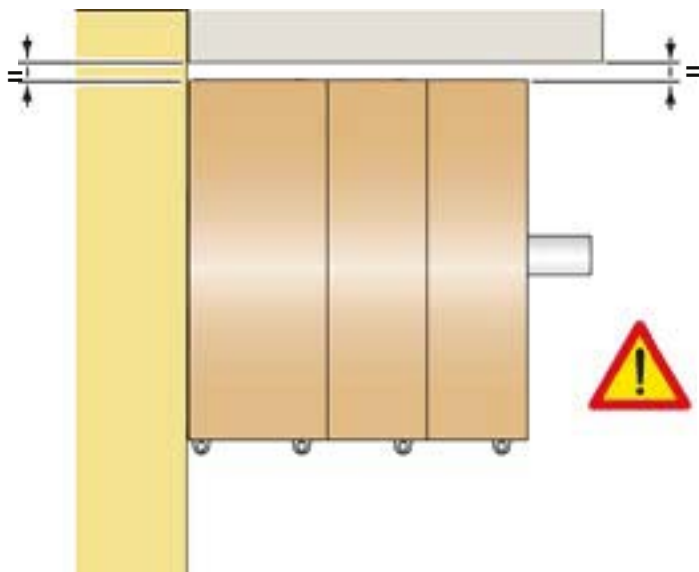
nice 4 line

50

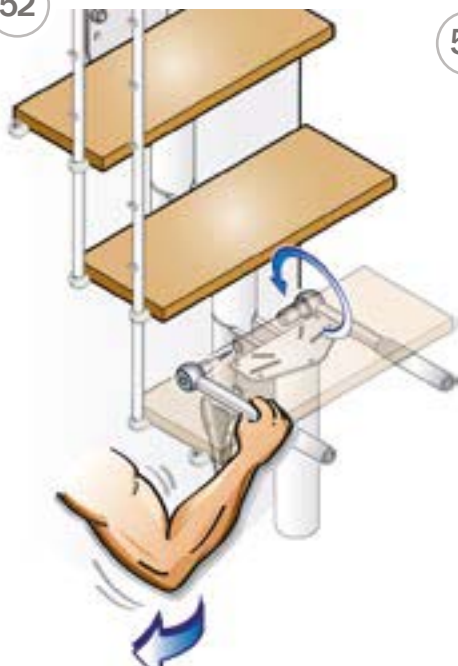


51

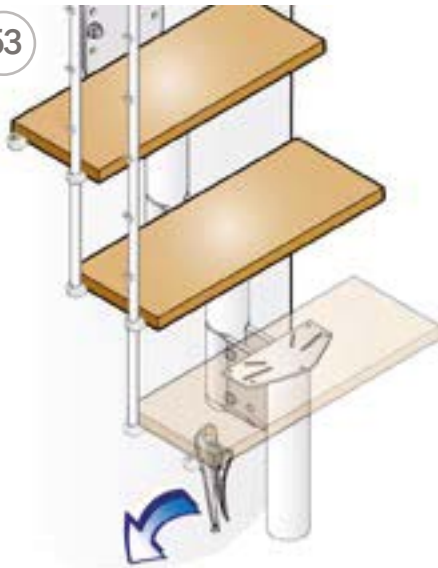




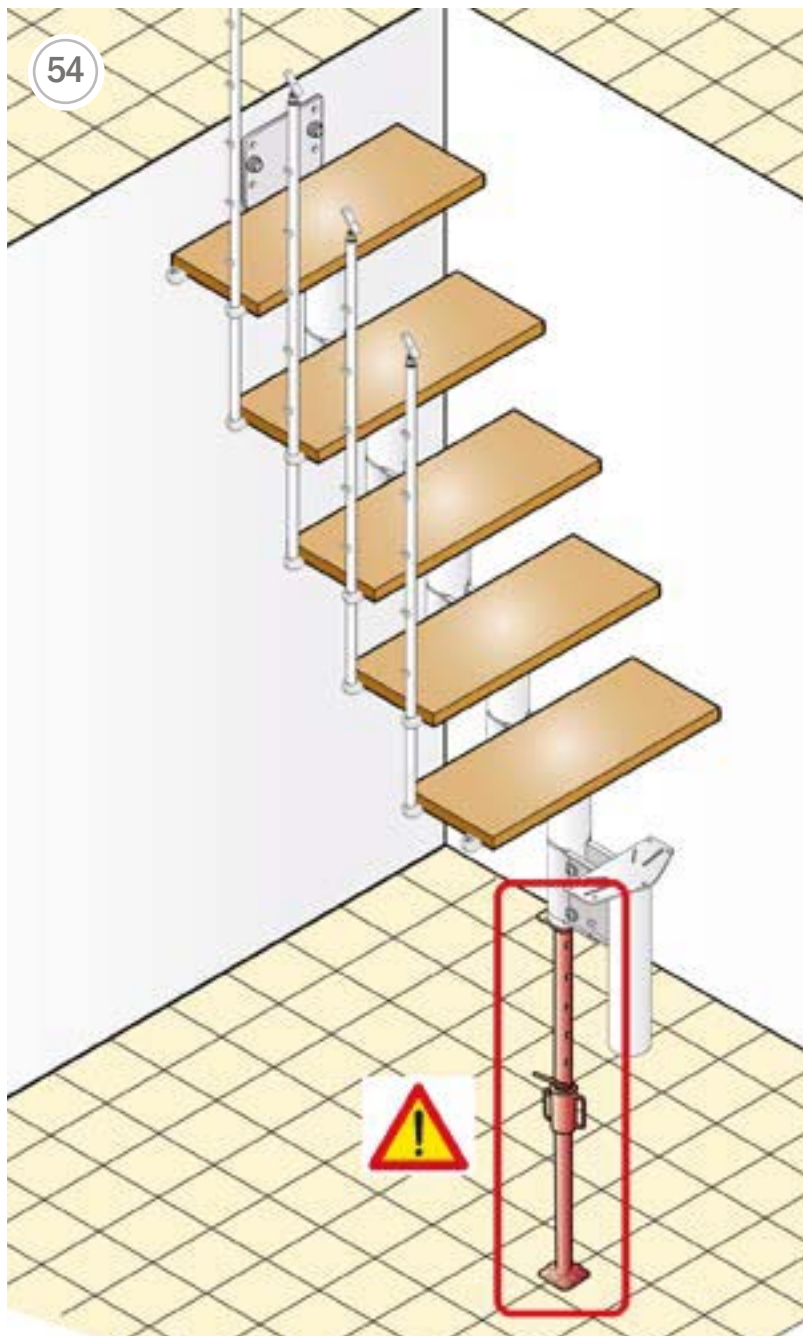
52



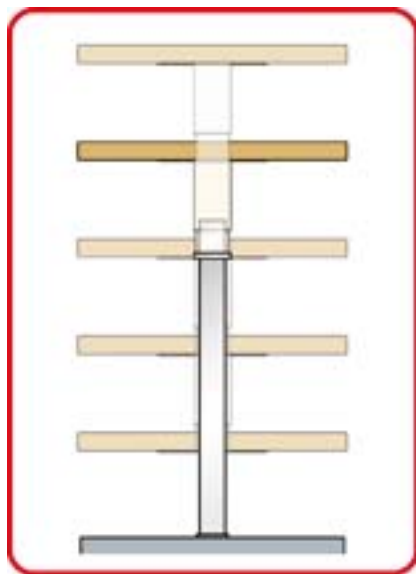
53

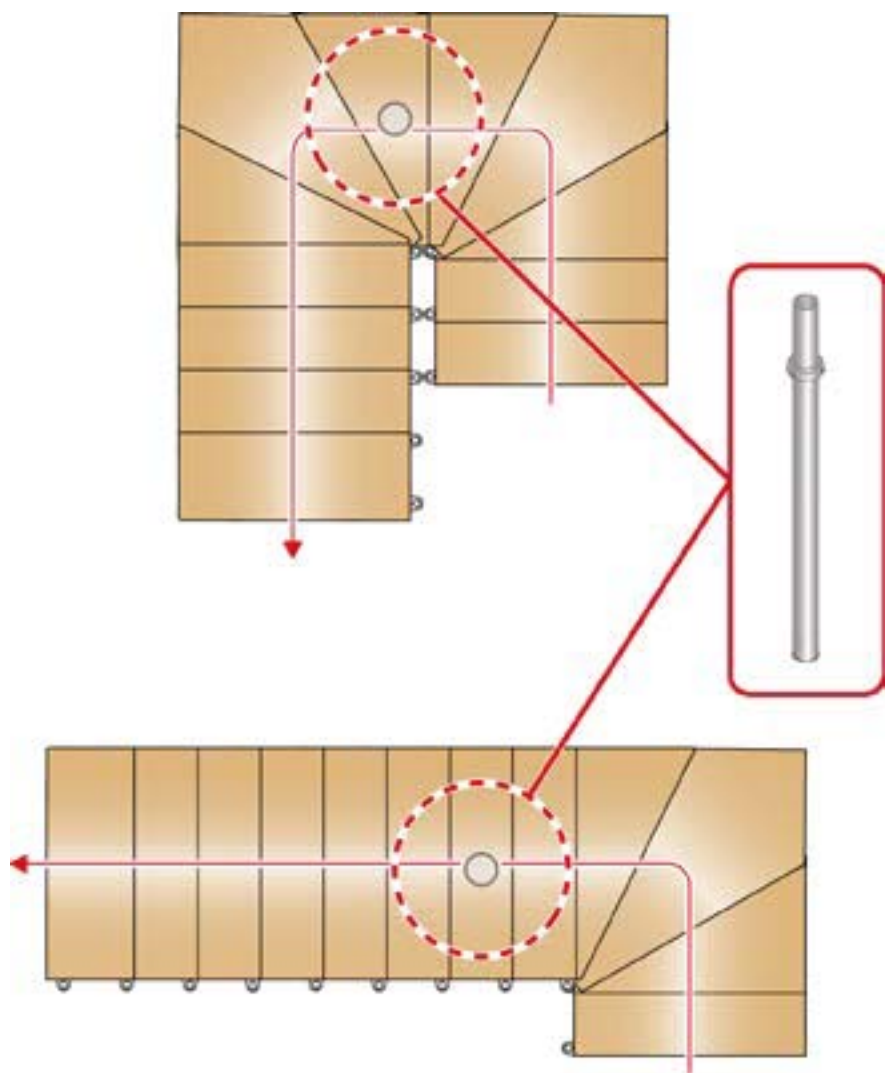


54

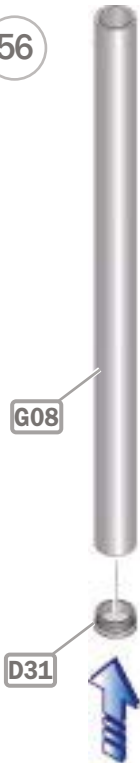


nice 4 line

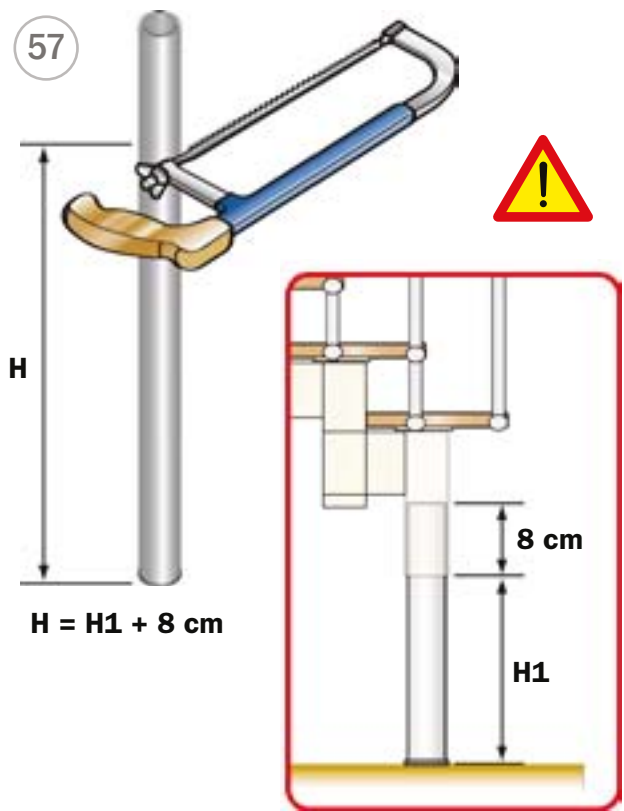




56



57



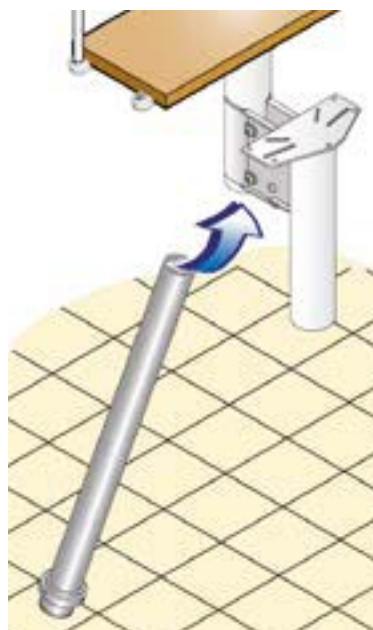
58



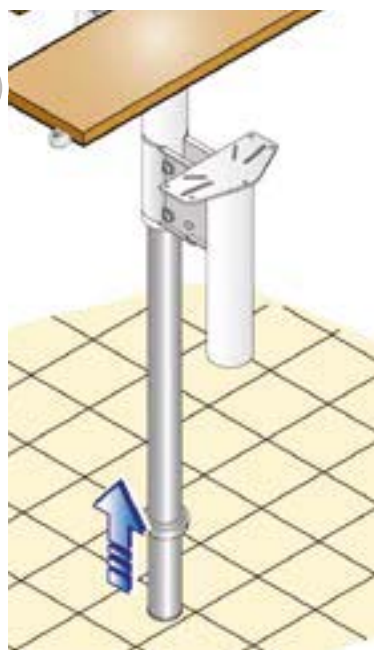
59



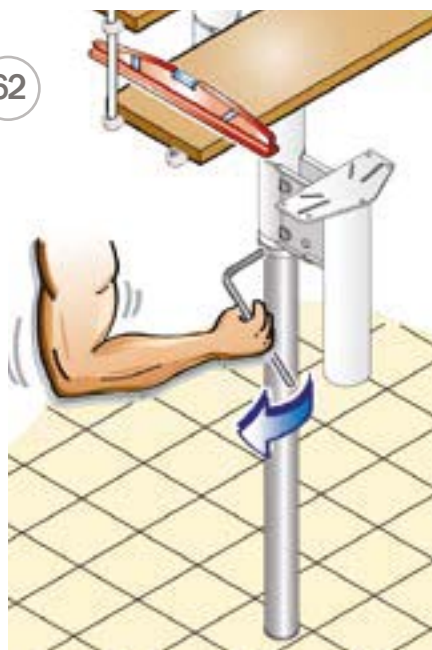
60



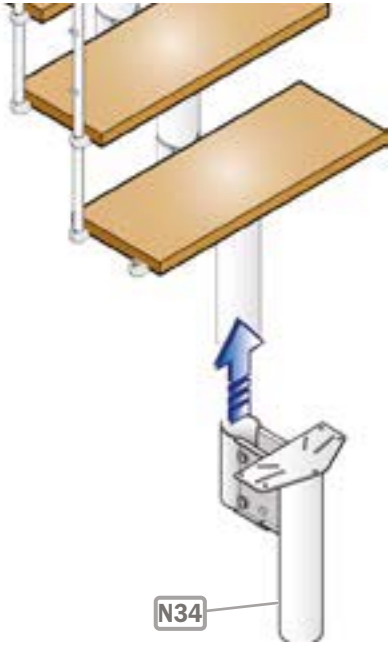
61



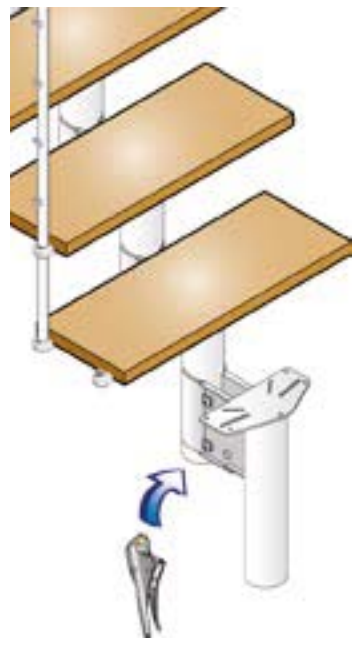
62



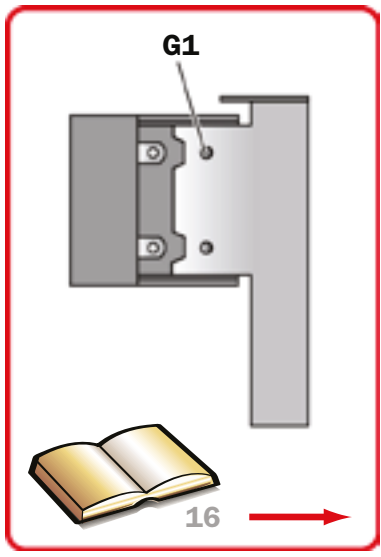
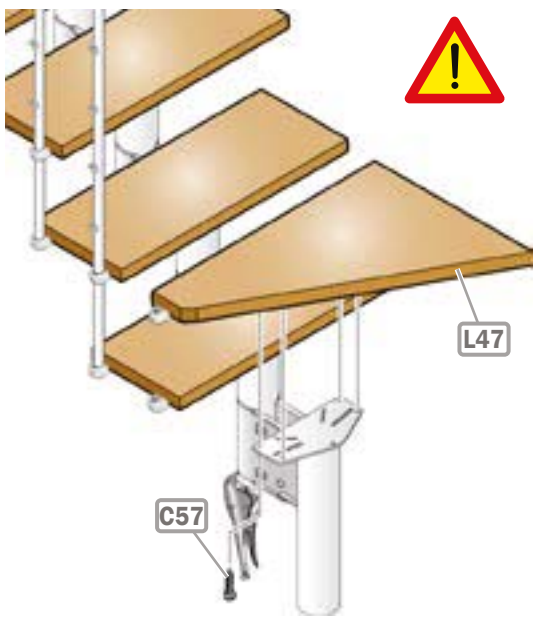
63



64

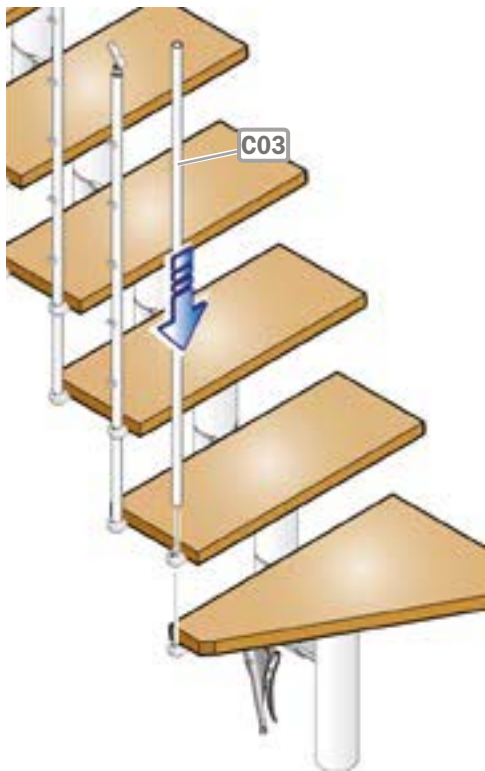


65

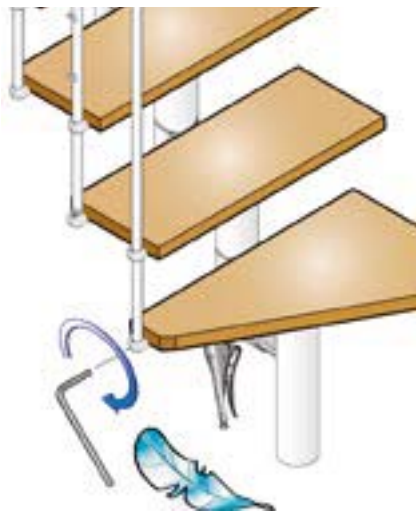


nice 4 line

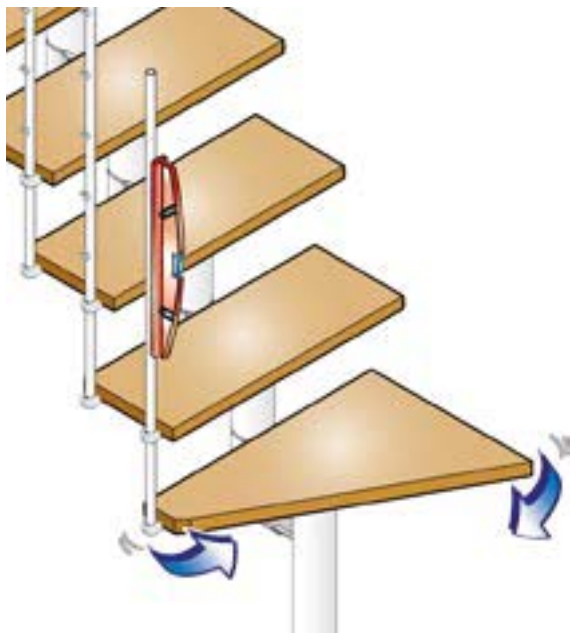
66



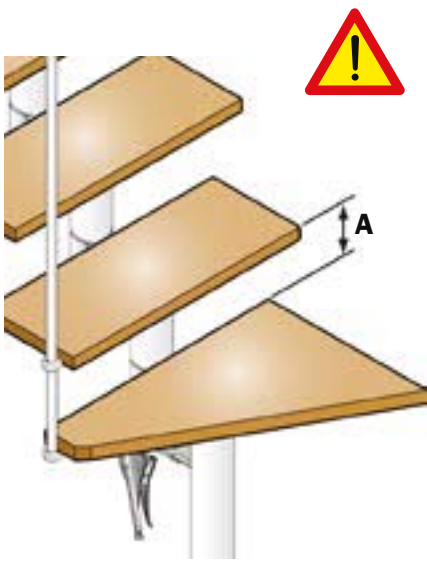
67



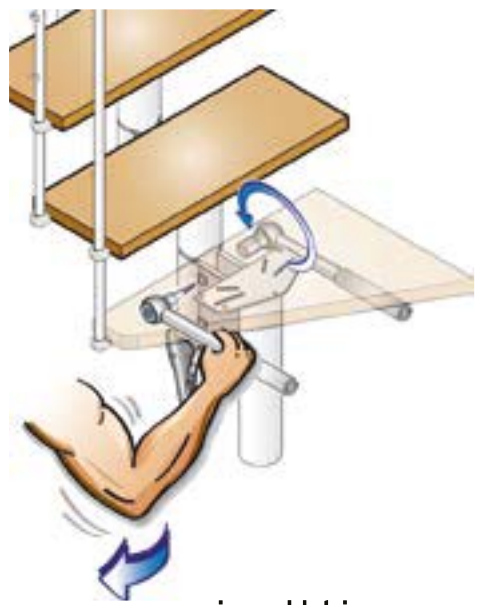
68



69

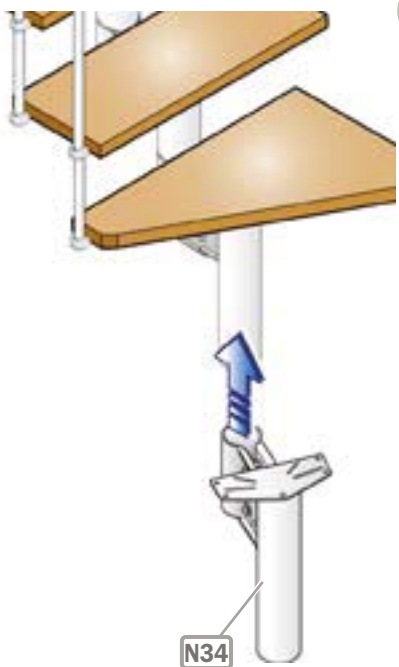


70

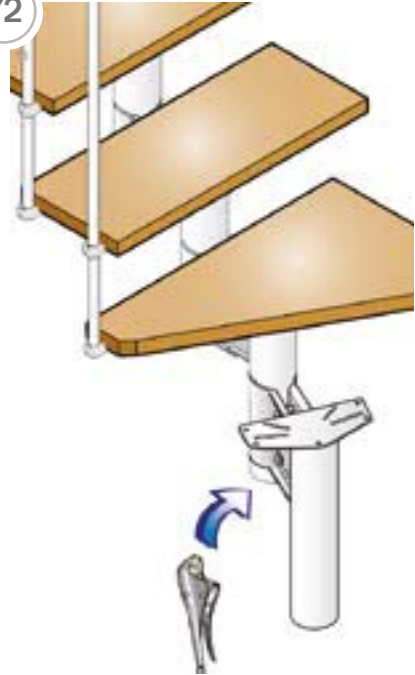


nice 4 line

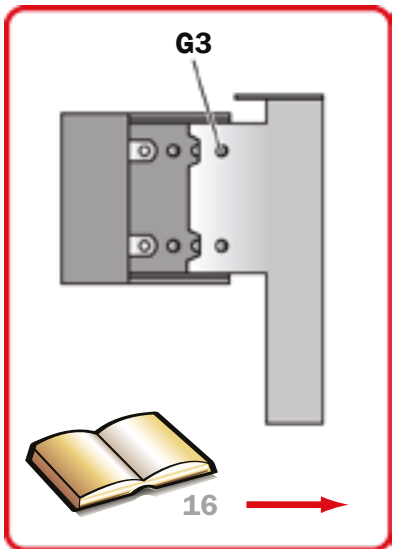
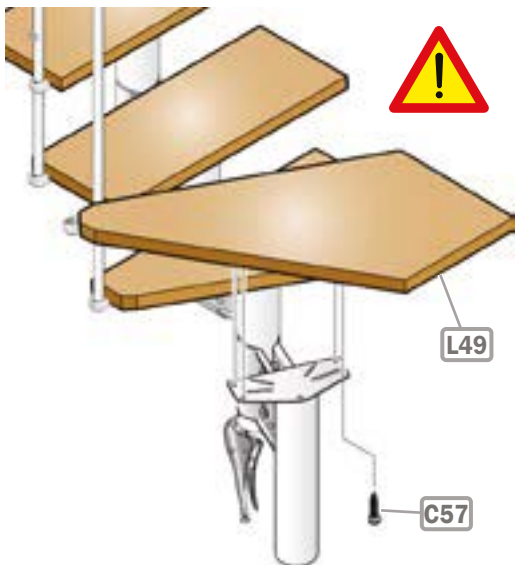
71



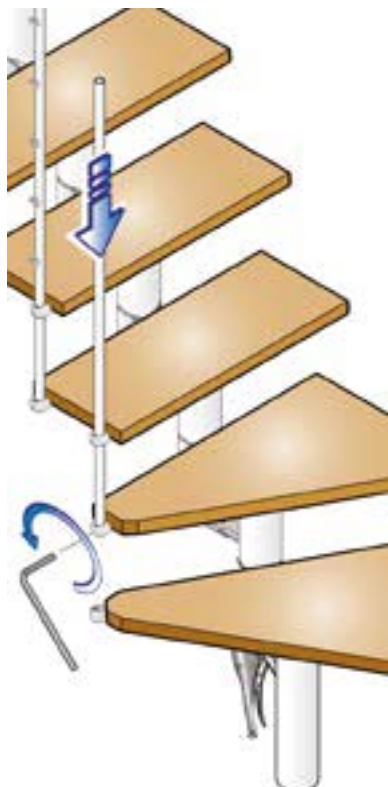
72



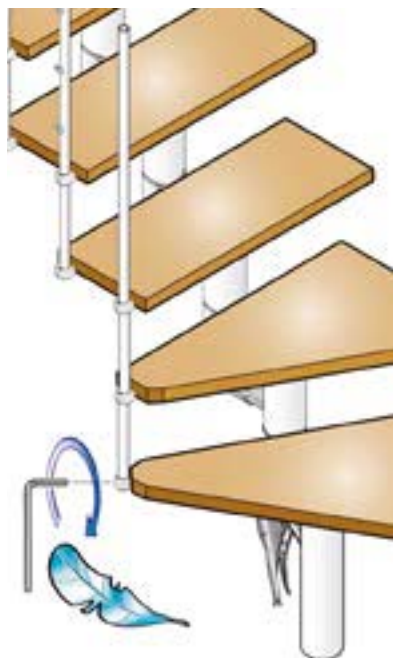
73



74

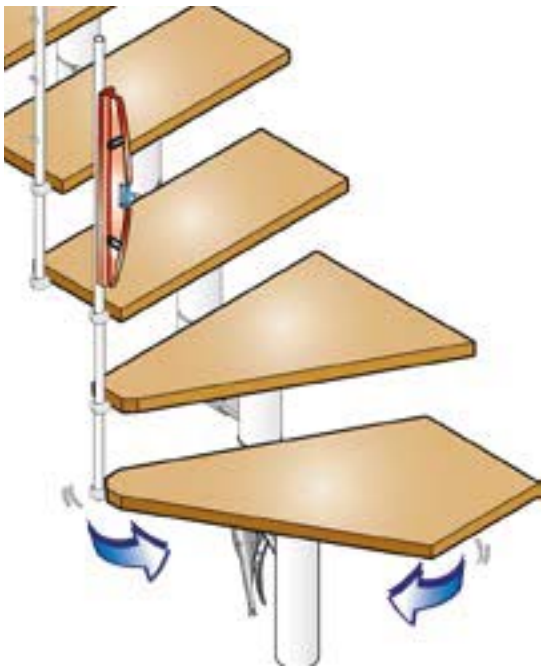


75

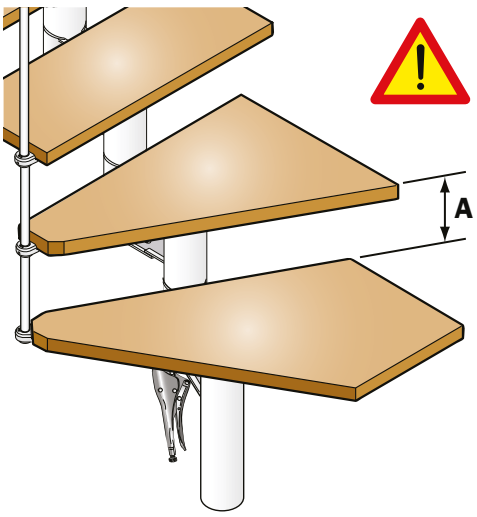


nice 4 line

76



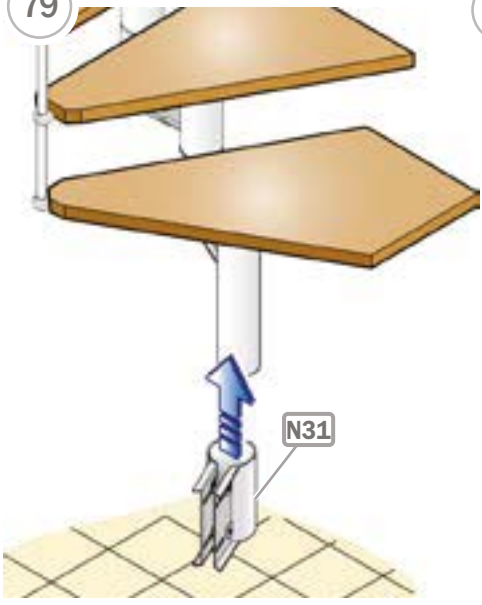
77



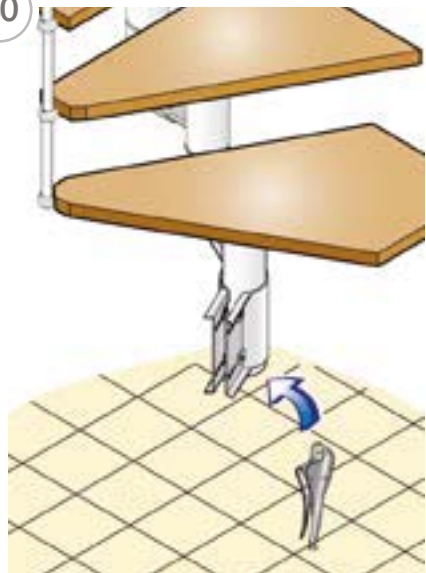
78



79



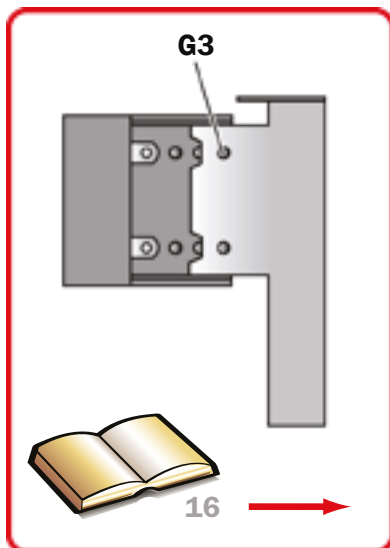
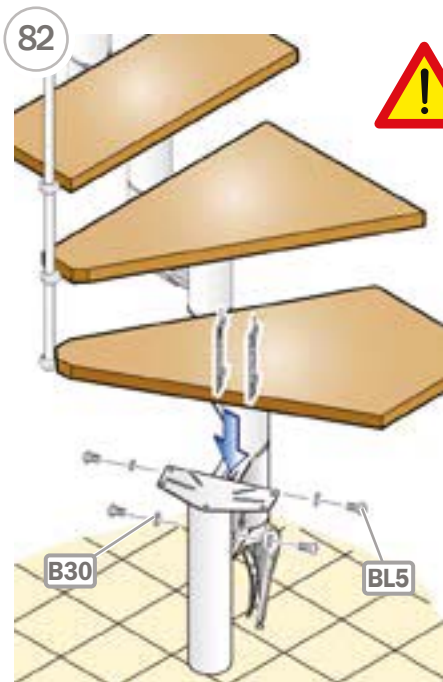
80



81

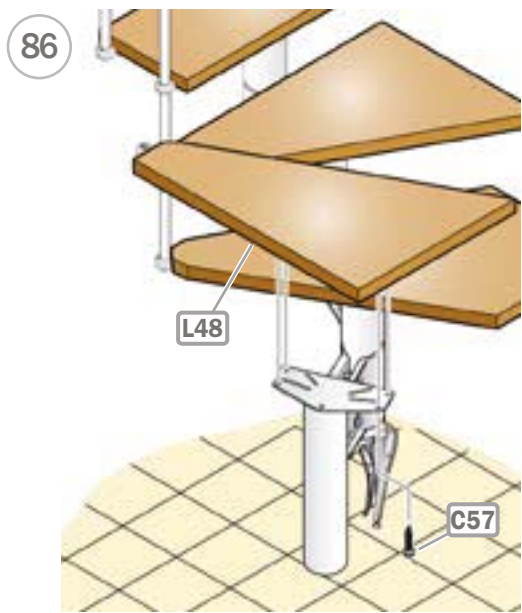
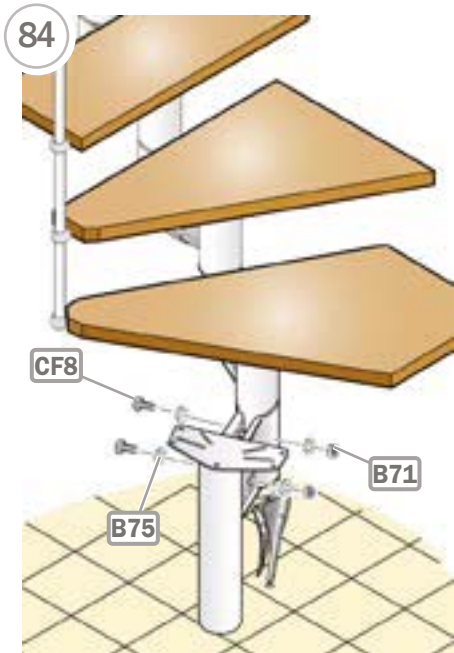


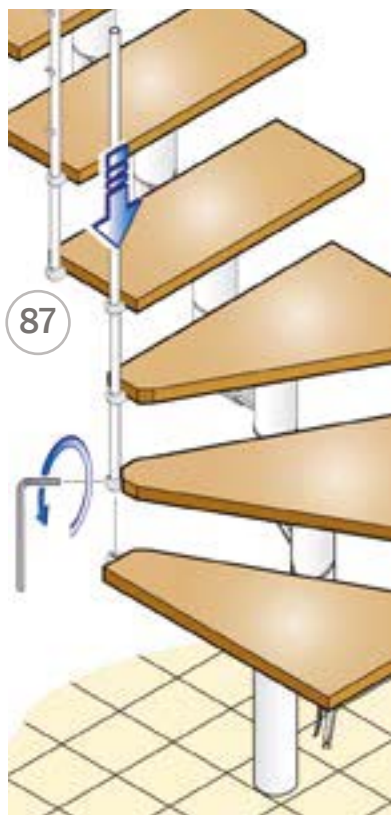
nice 4 line



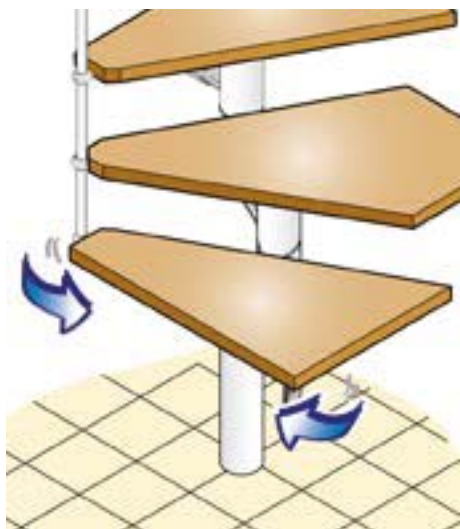
83



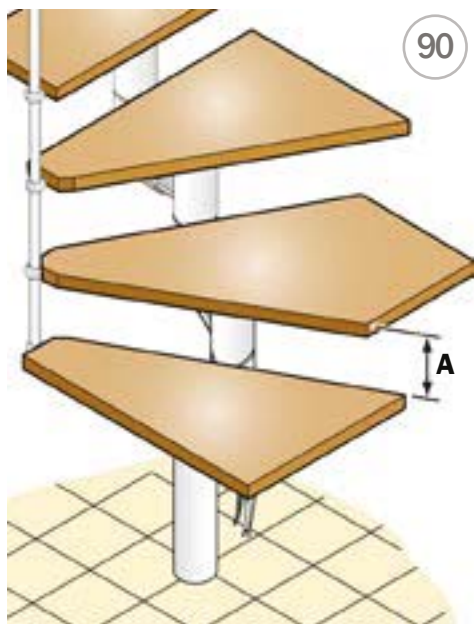




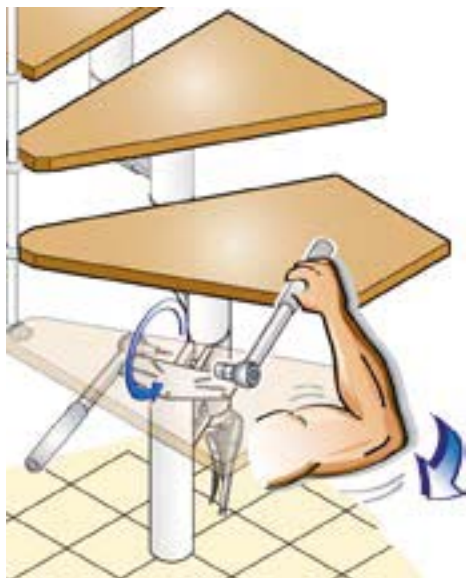
89



90



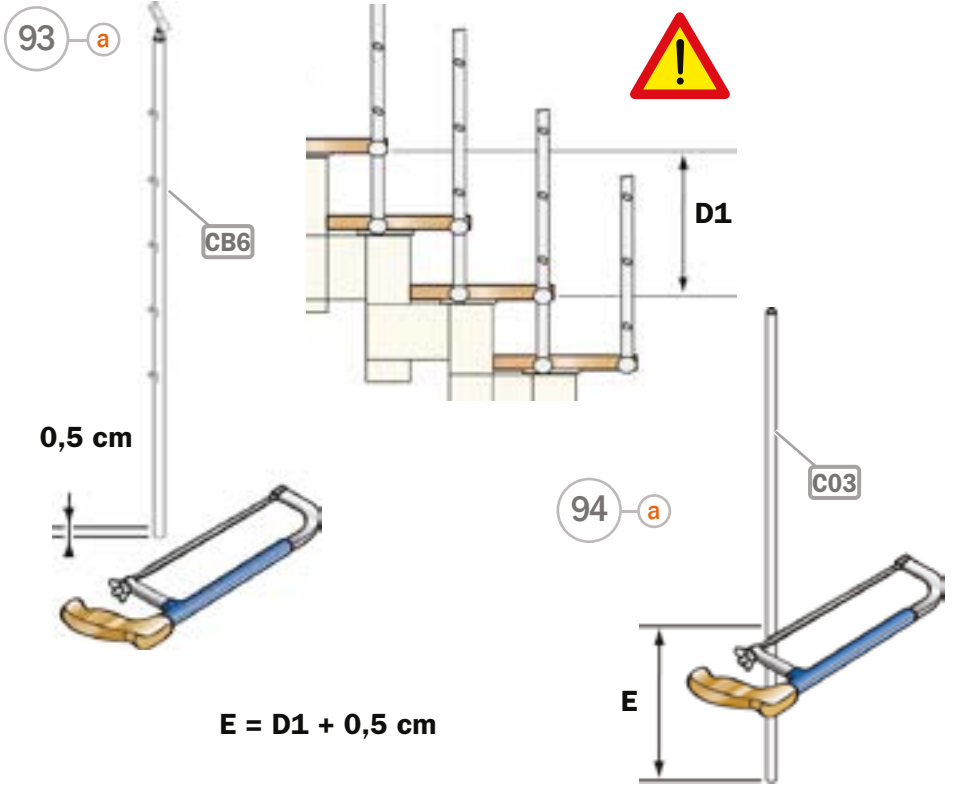
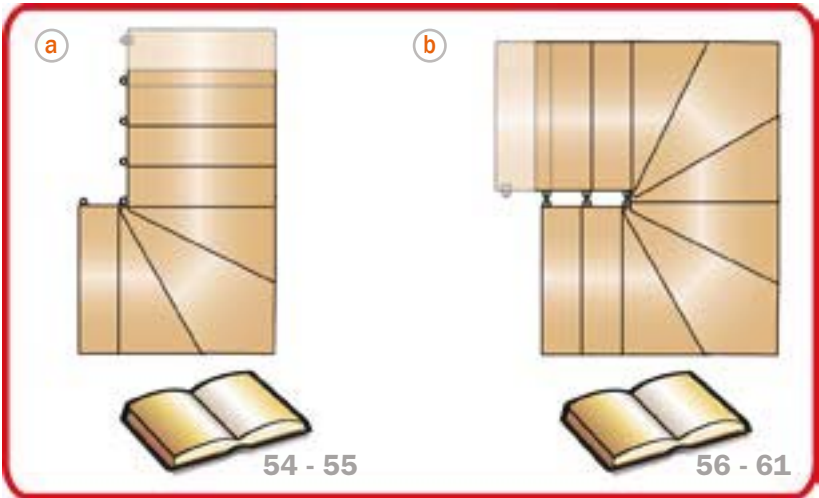
91



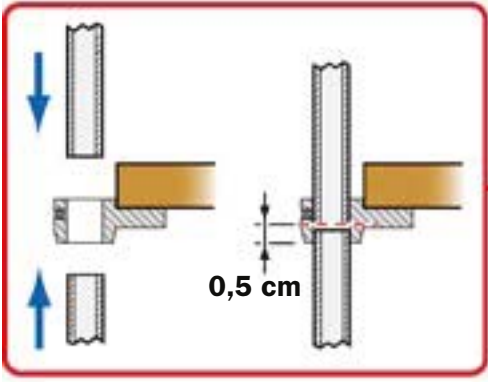
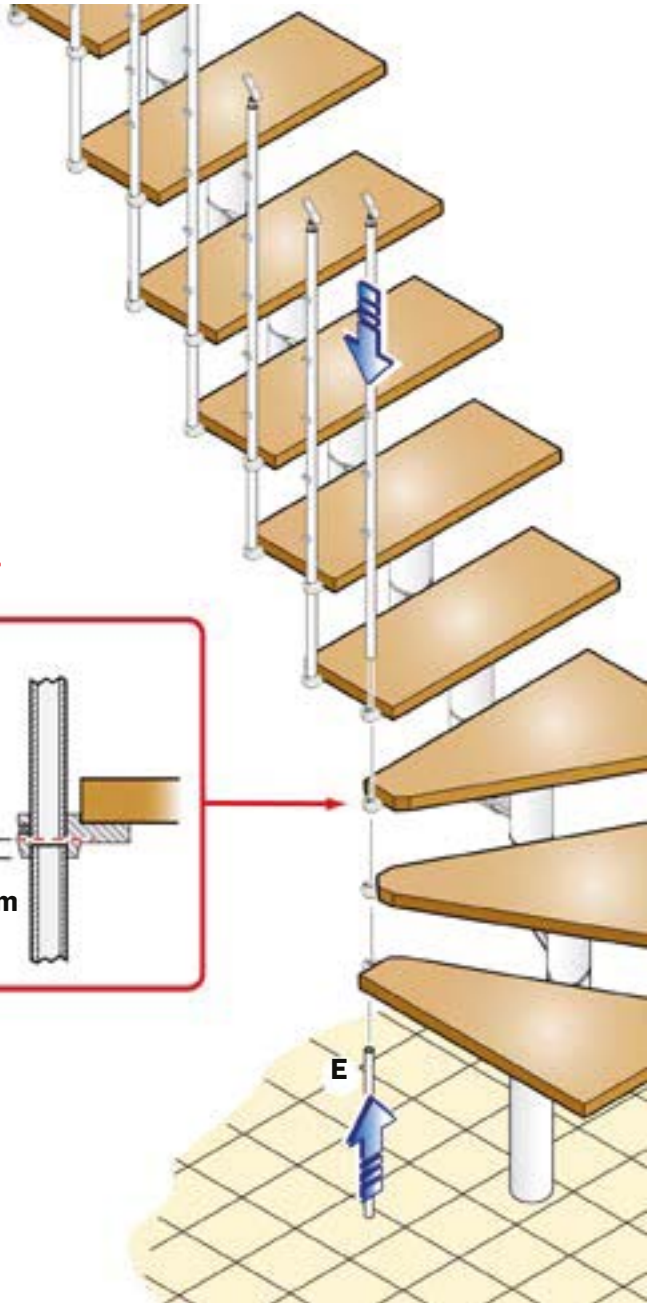
92



nice 4 line

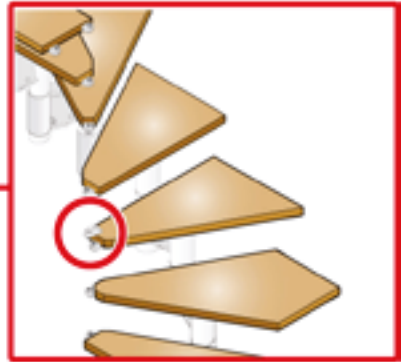


95 a

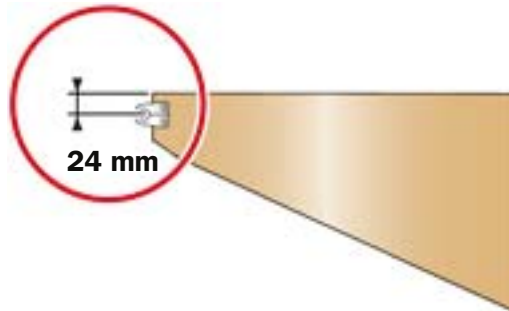
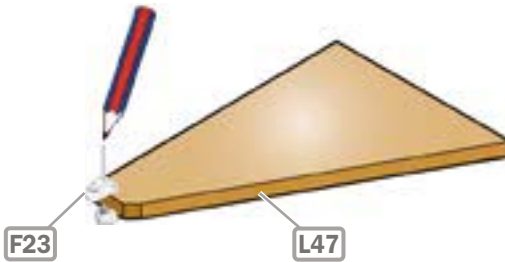


nice 4 line

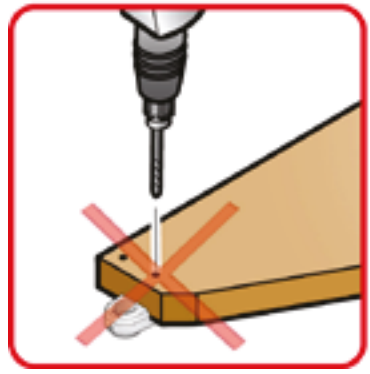
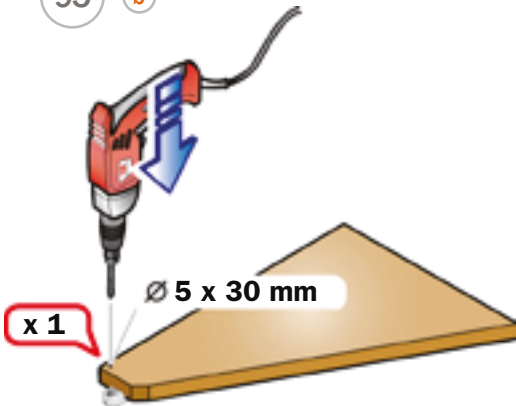
93 b



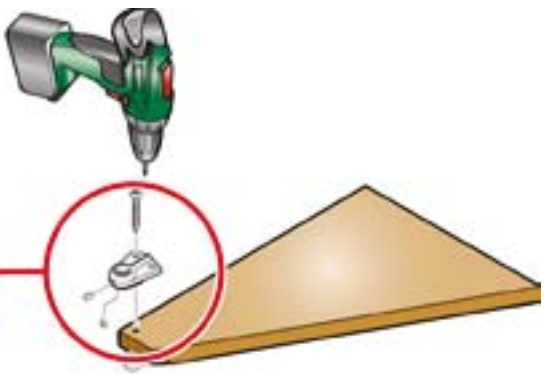
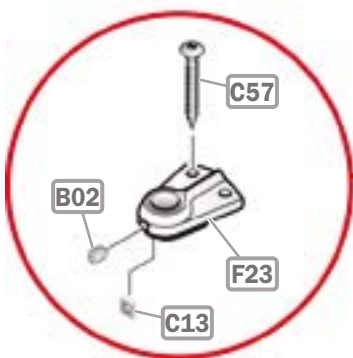
94 b

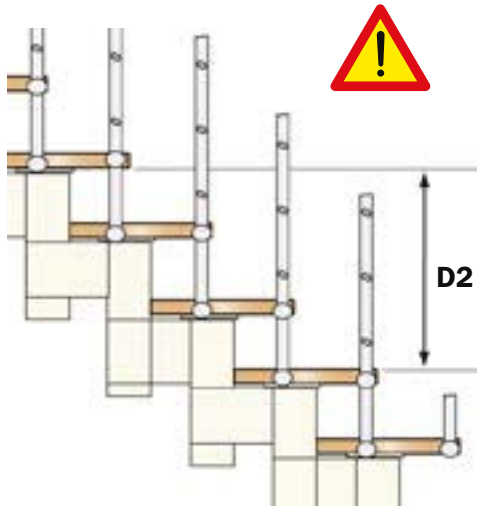
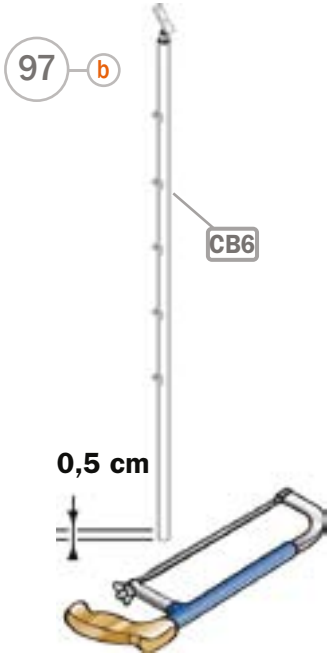


95 b

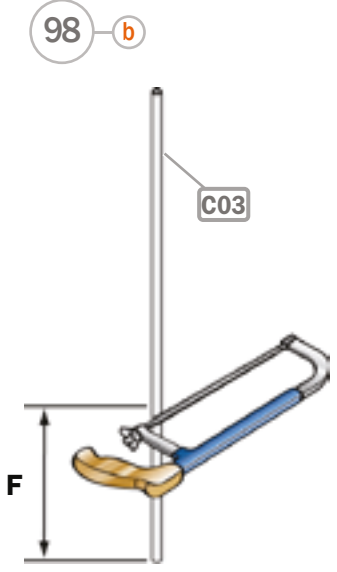


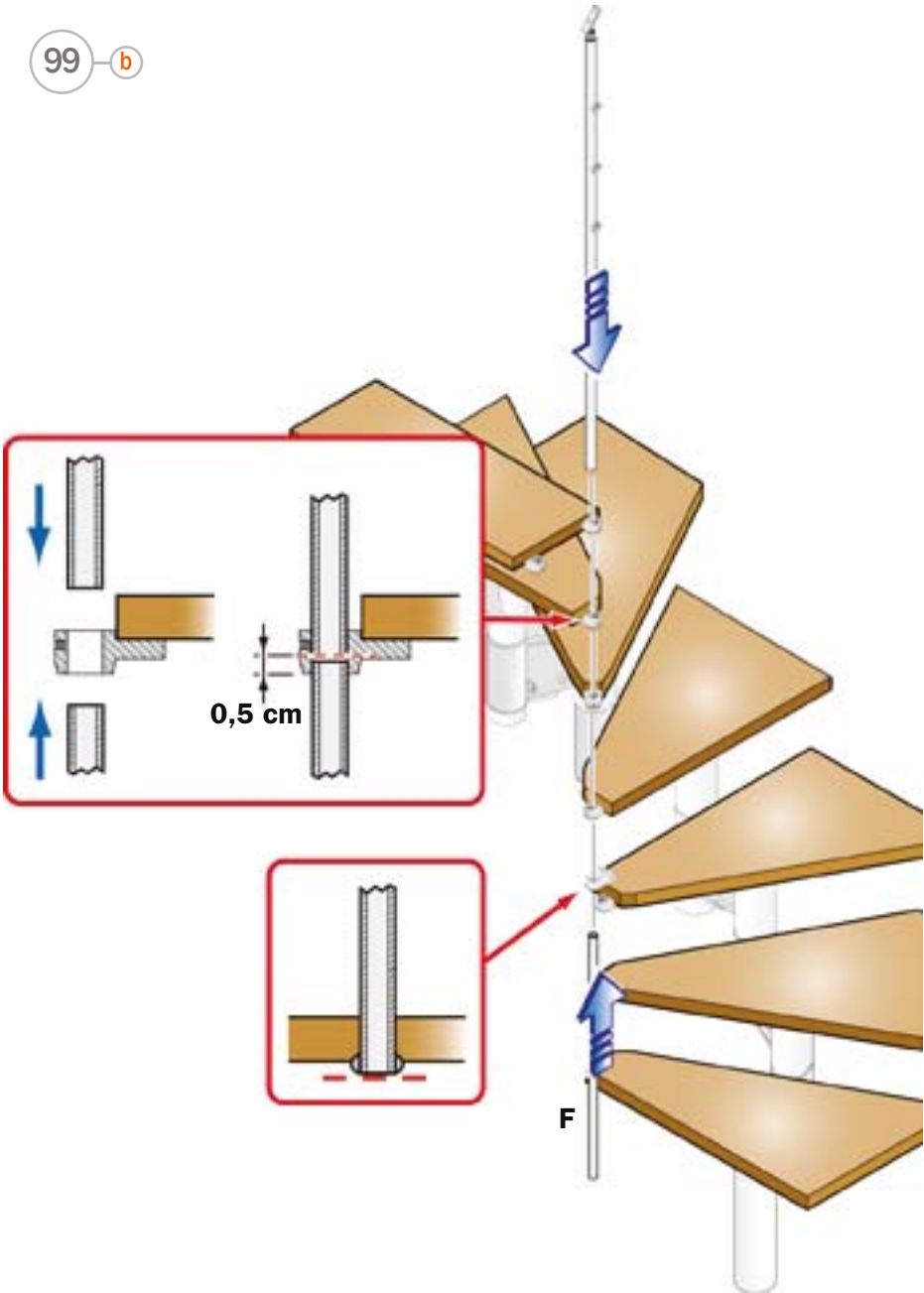
96 b



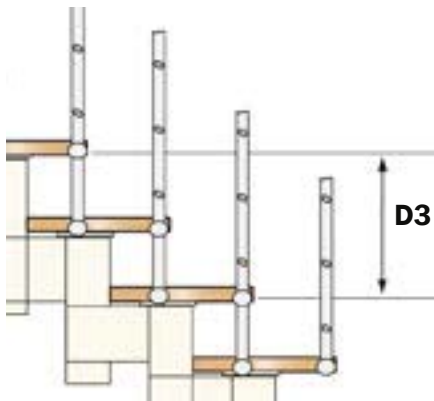
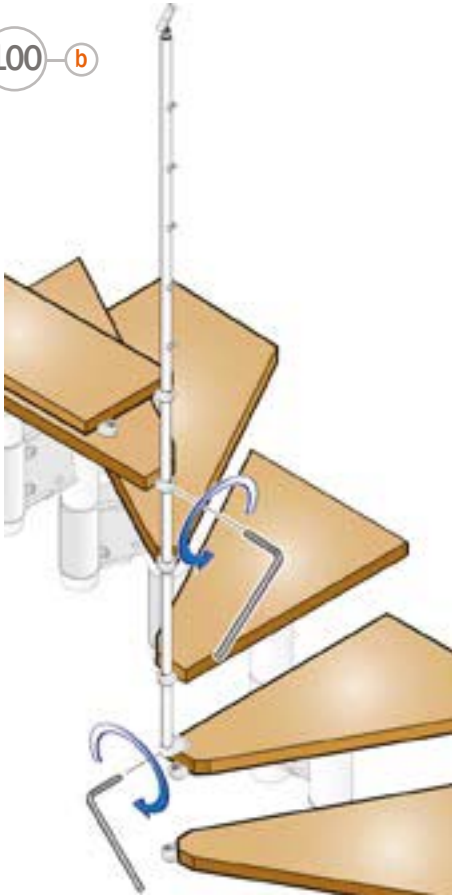


$F = D2 + 0,5 \text{ cm}$

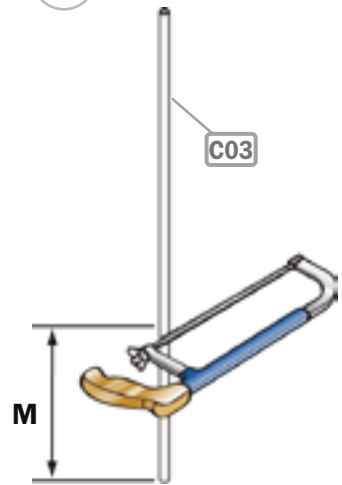




100 b

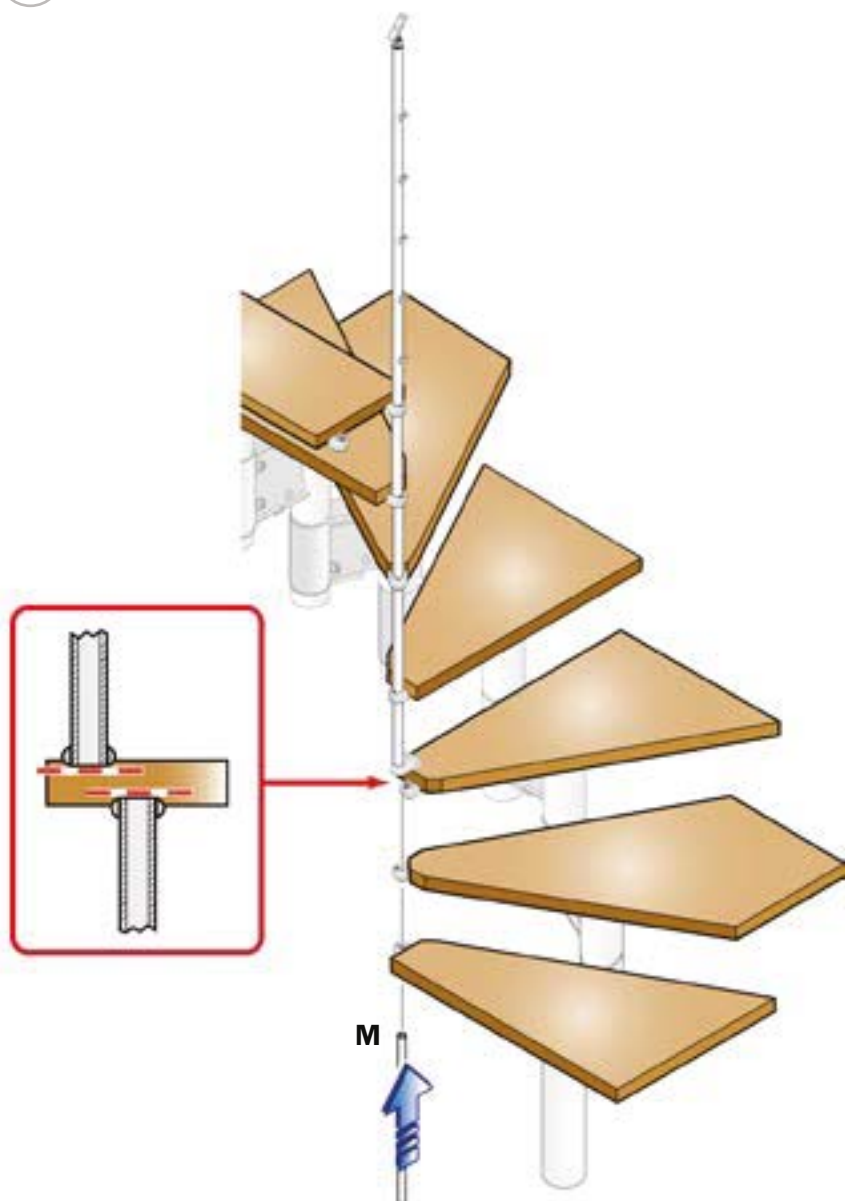


101 b

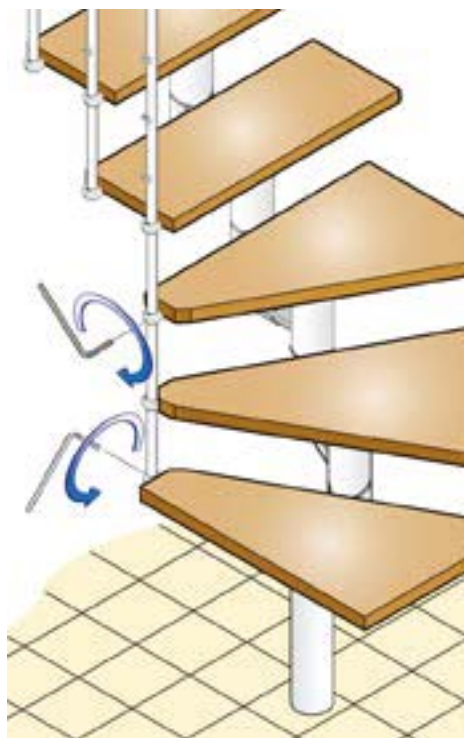


$$M = D3 + 2 \text{ cm}$$

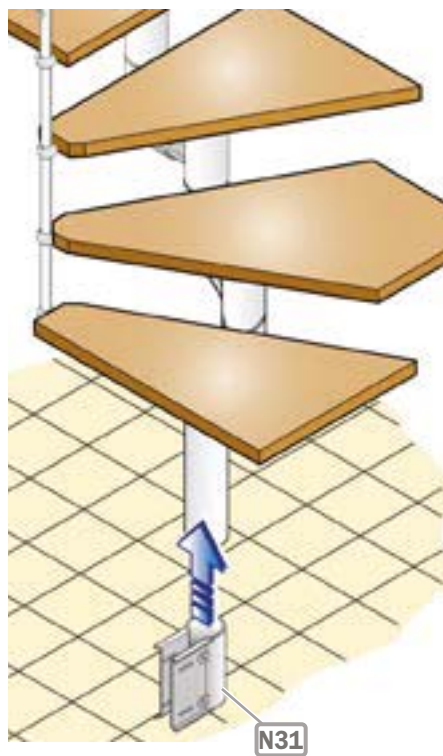




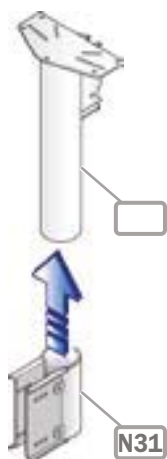
103



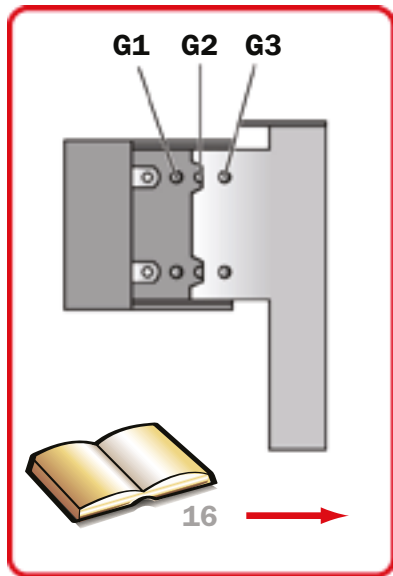
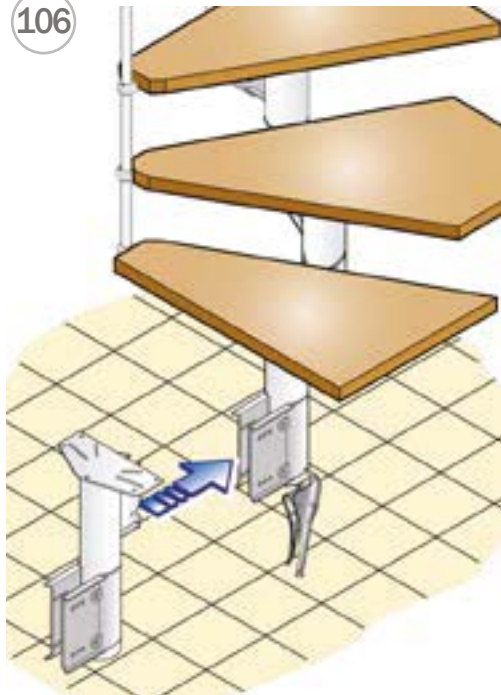
104



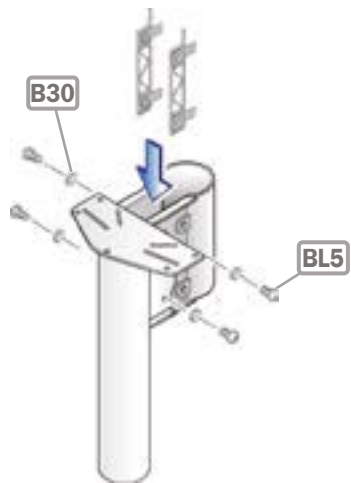
105



106

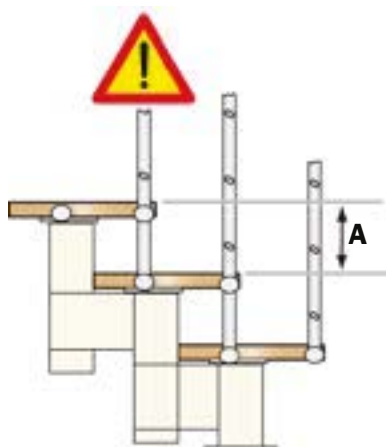
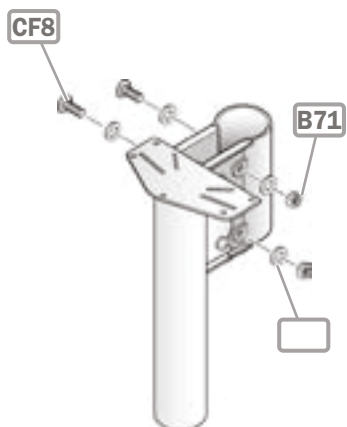
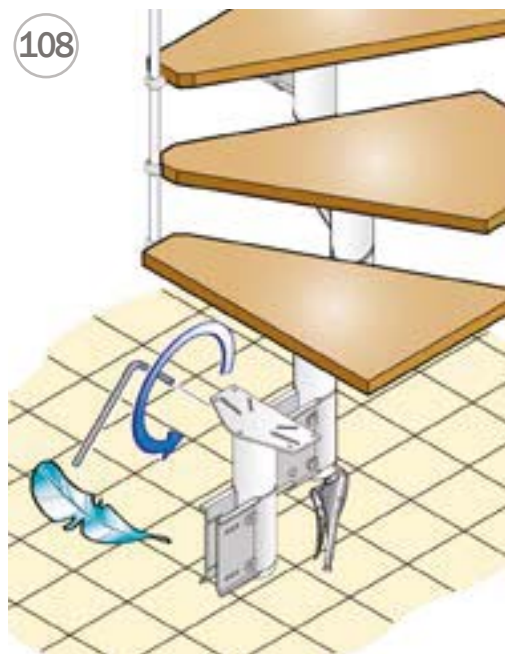


107

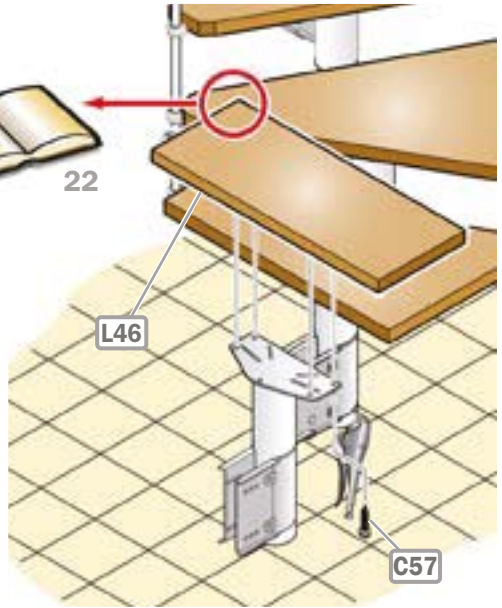
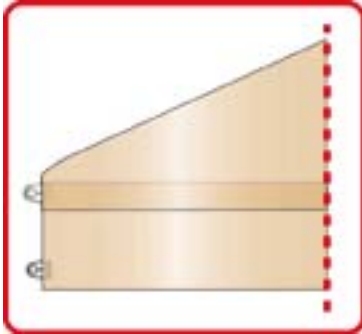


nice 4 line

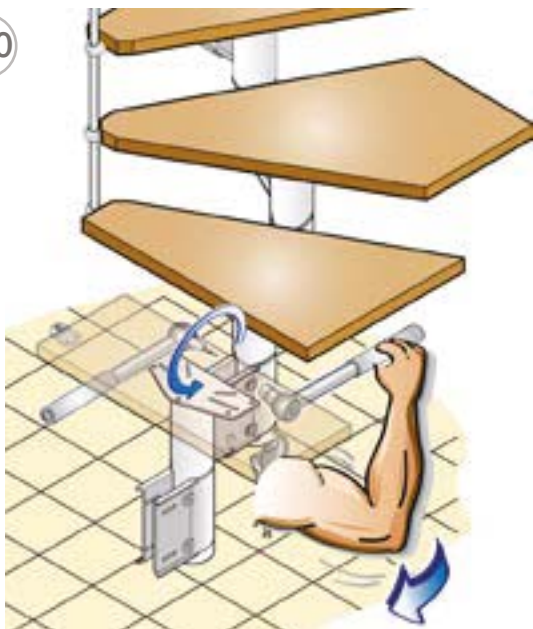
108



109

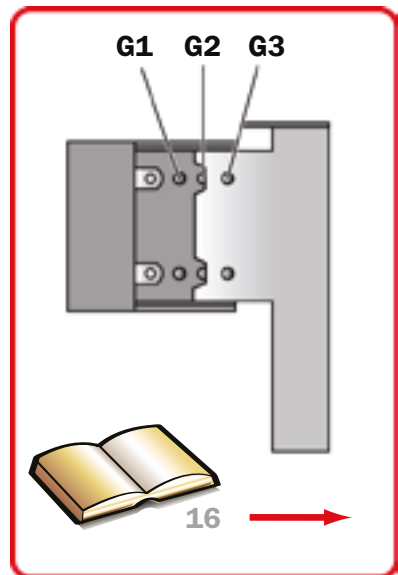
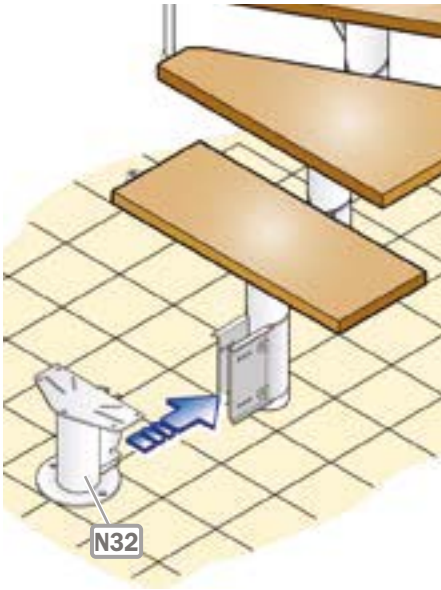


110

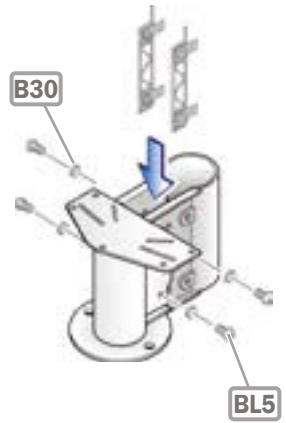


nice 4 line

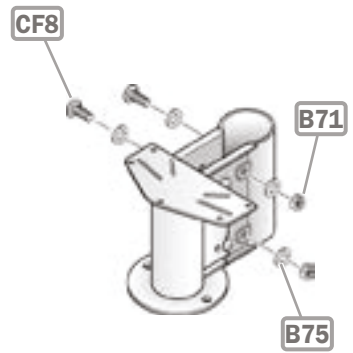
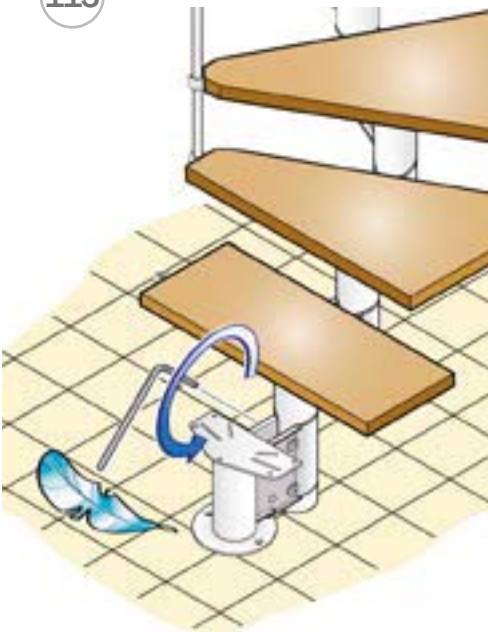
111

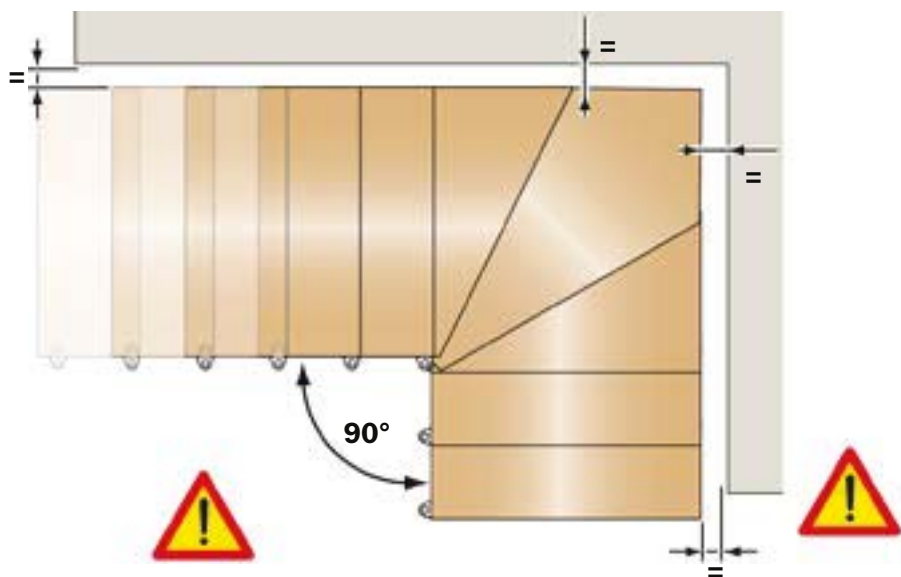
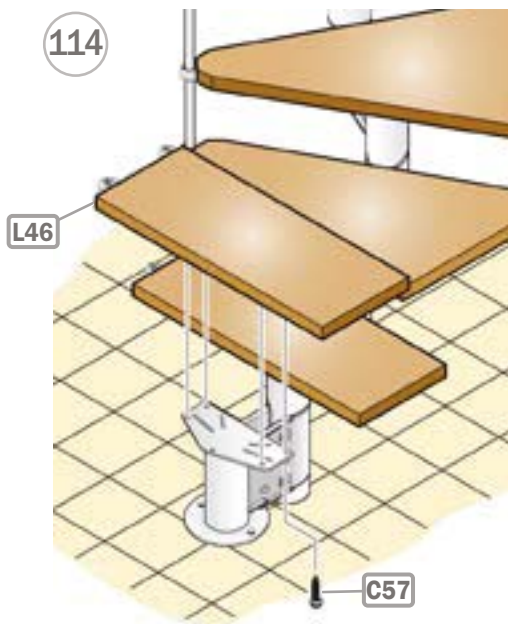


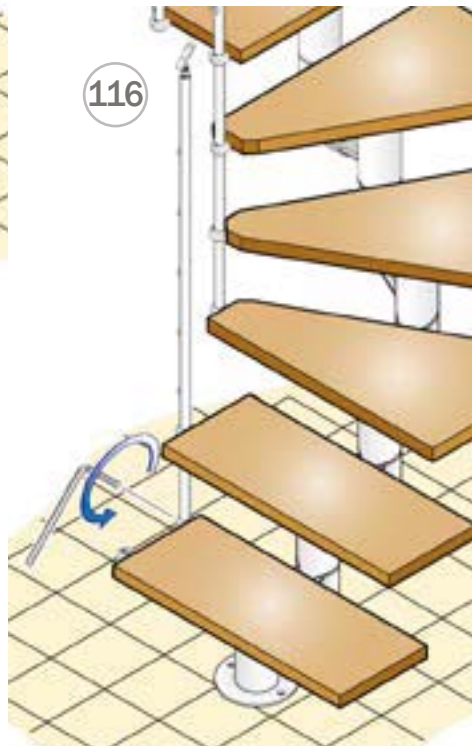
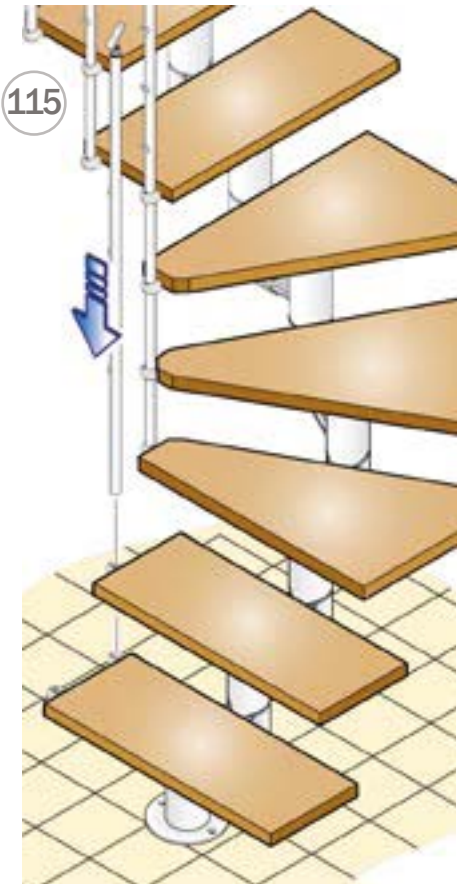
112



113

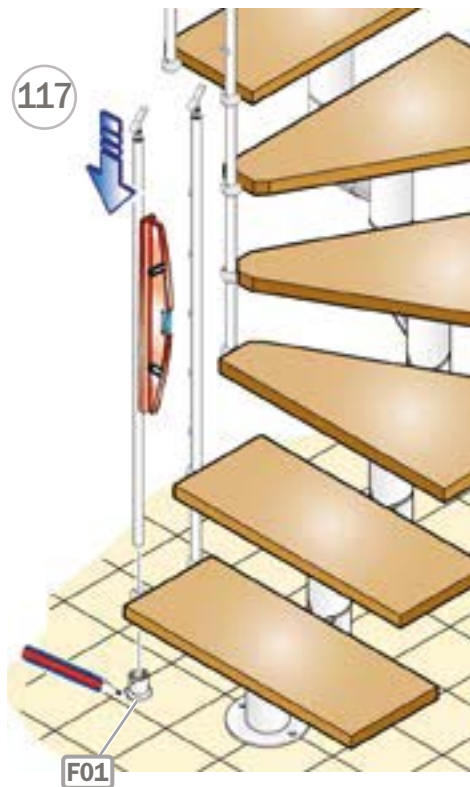




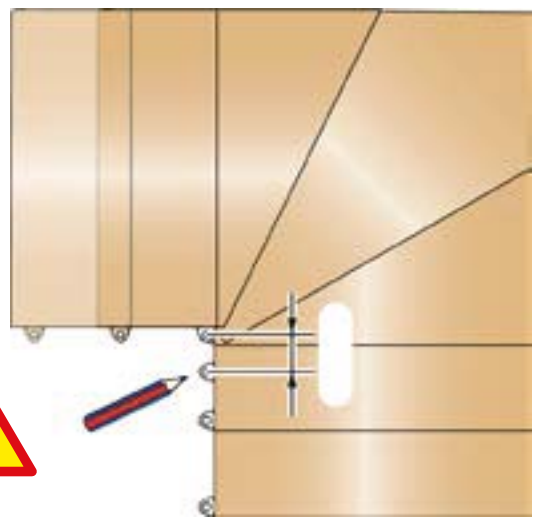
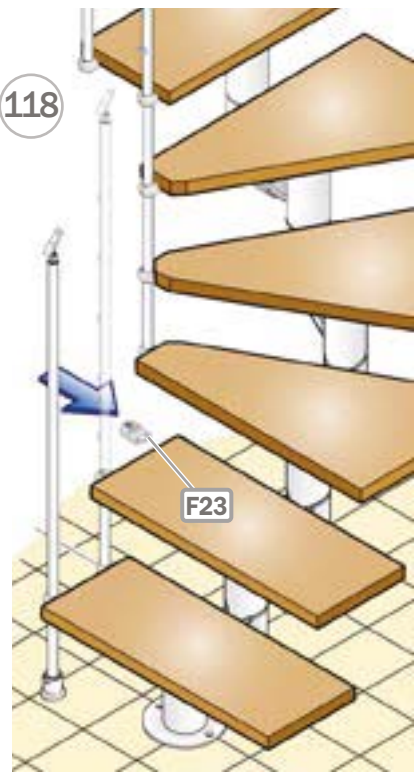


nice 4 line

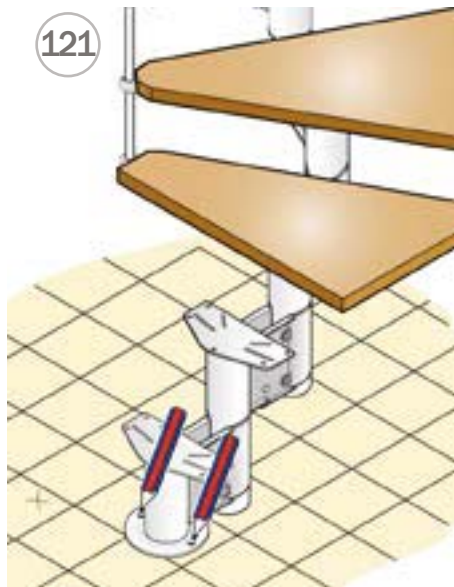
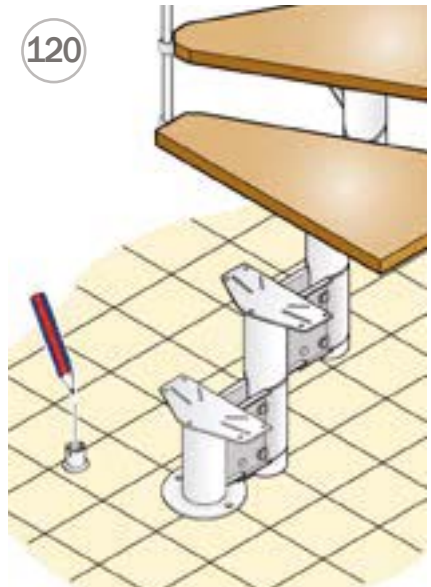
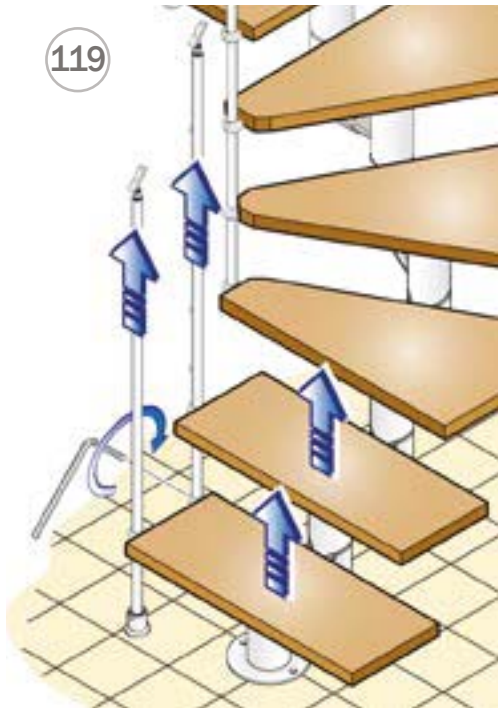
117

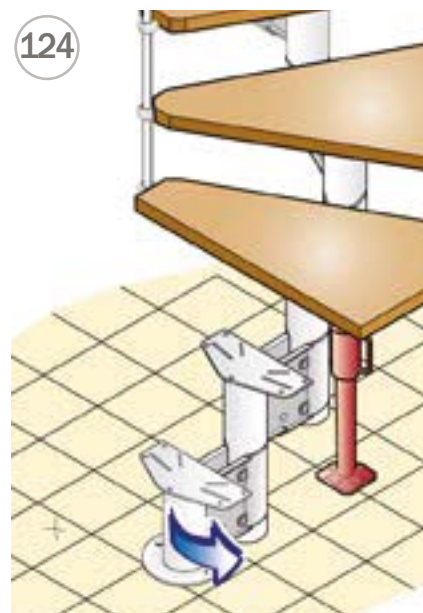
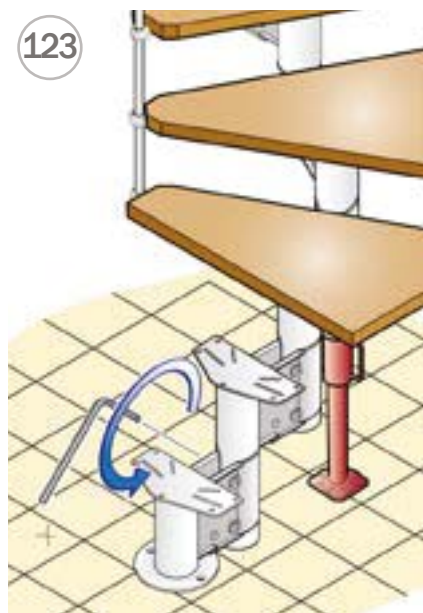
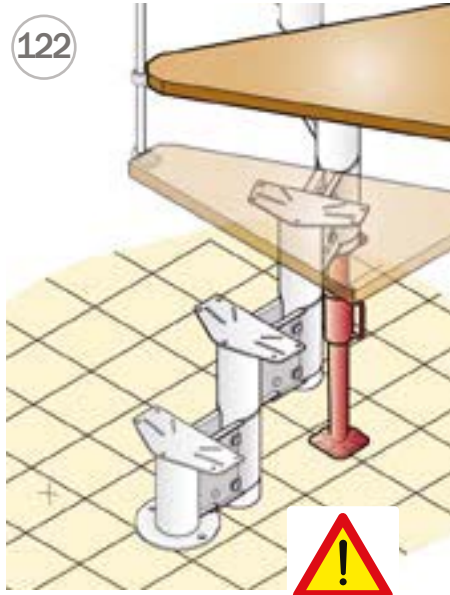


118

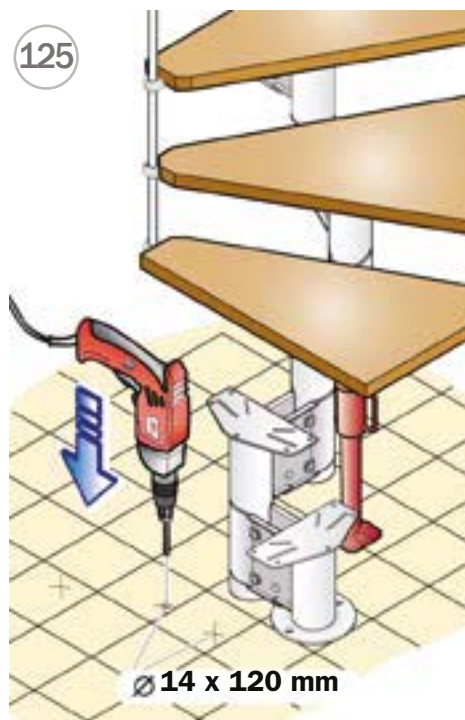


nice 4 line

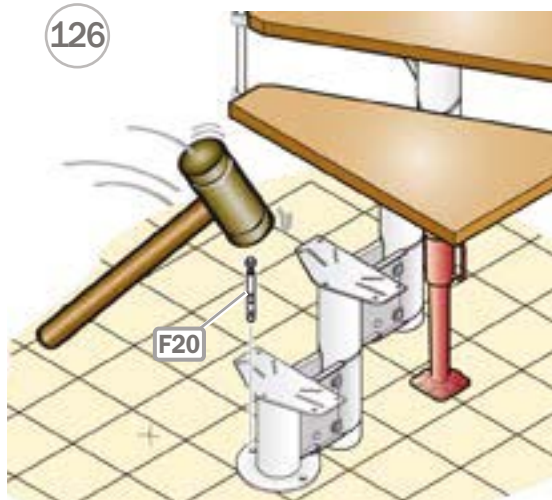




125



126



130

nice 4 line

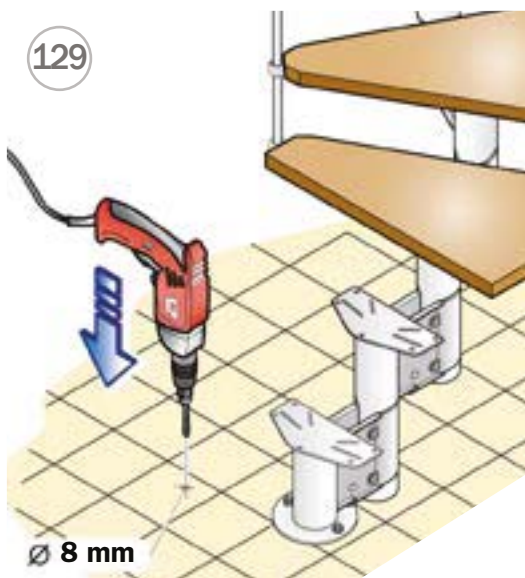
127

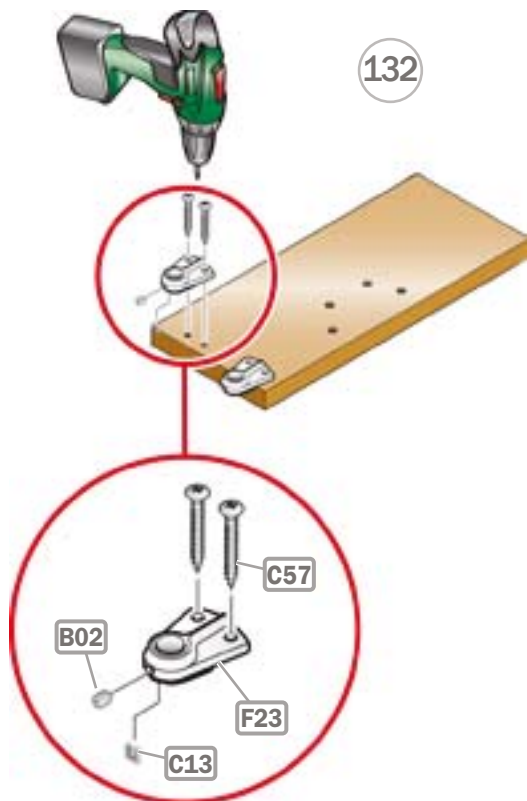
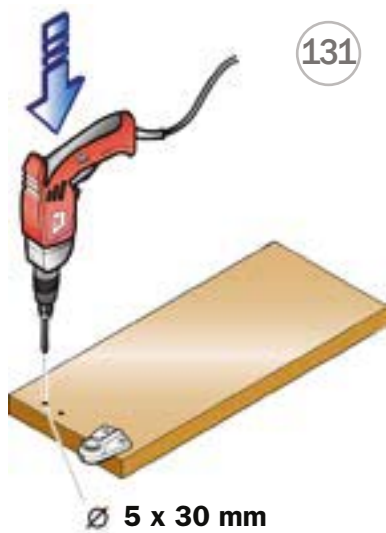
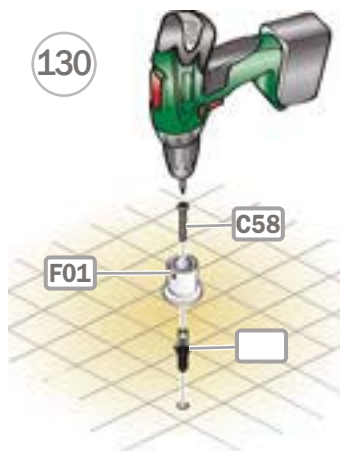


128

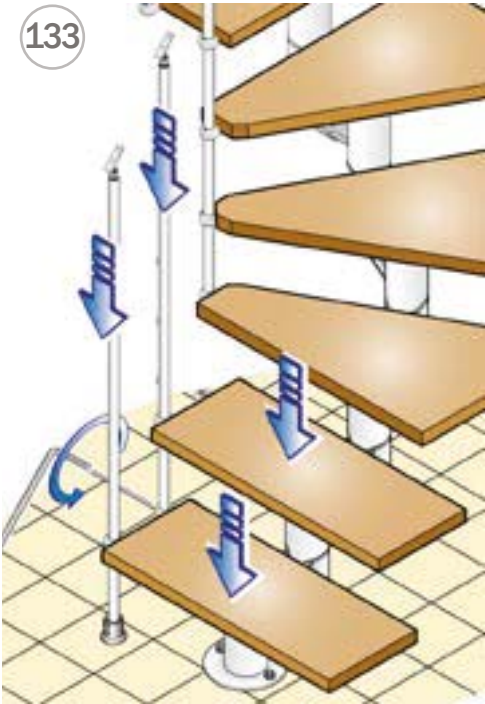


129

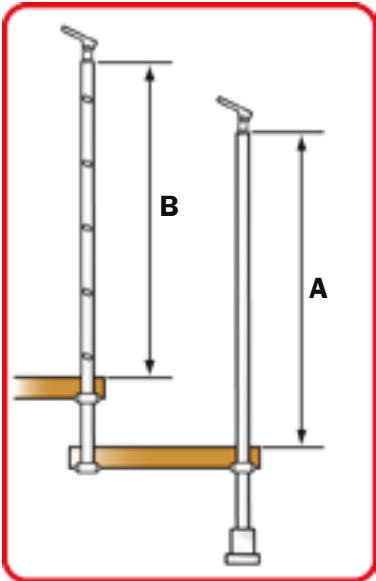
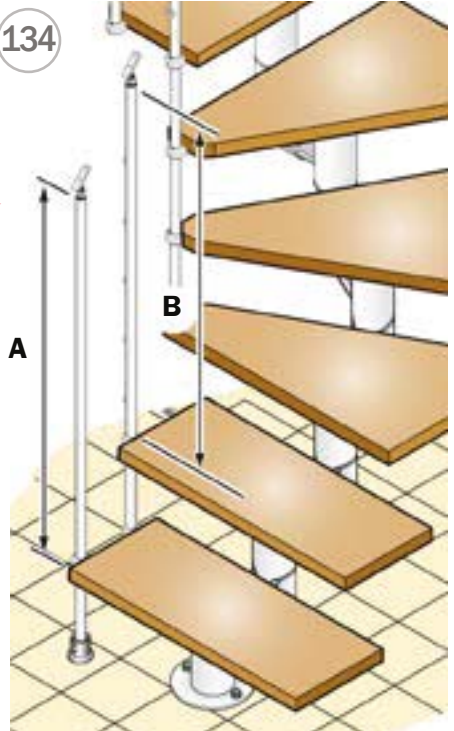




133

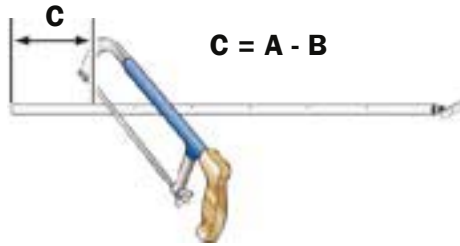


134

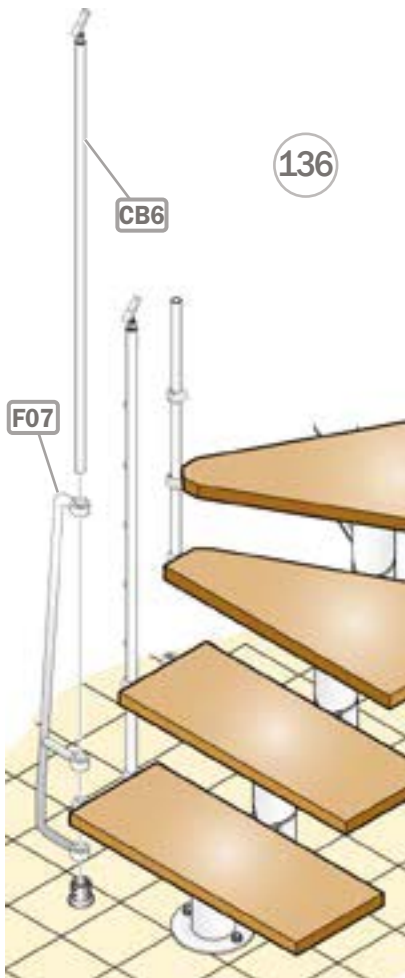


nice 4 line

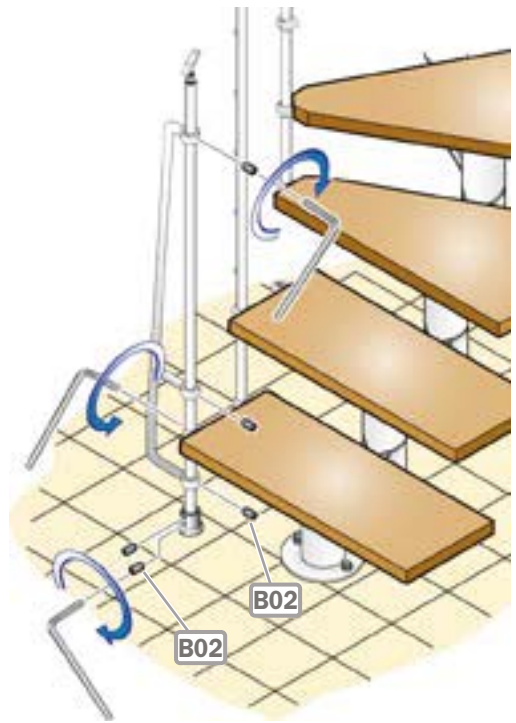
135



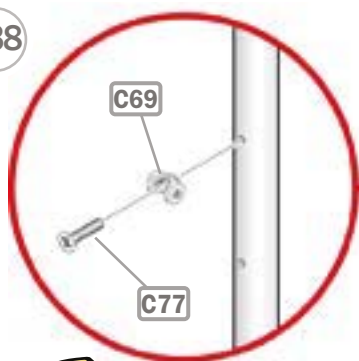
136



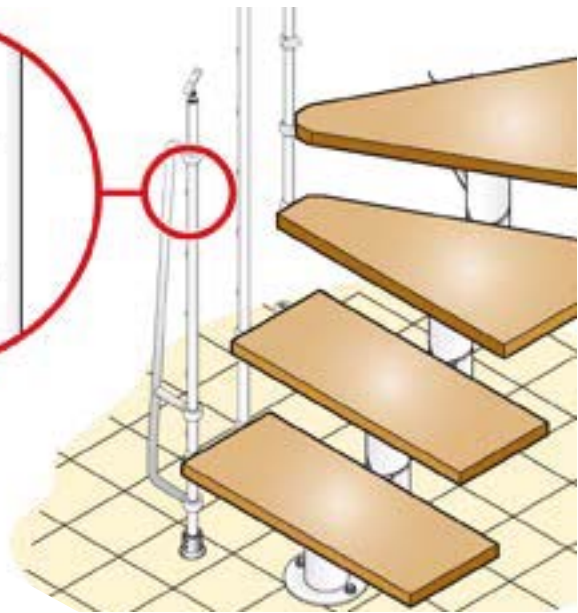
137



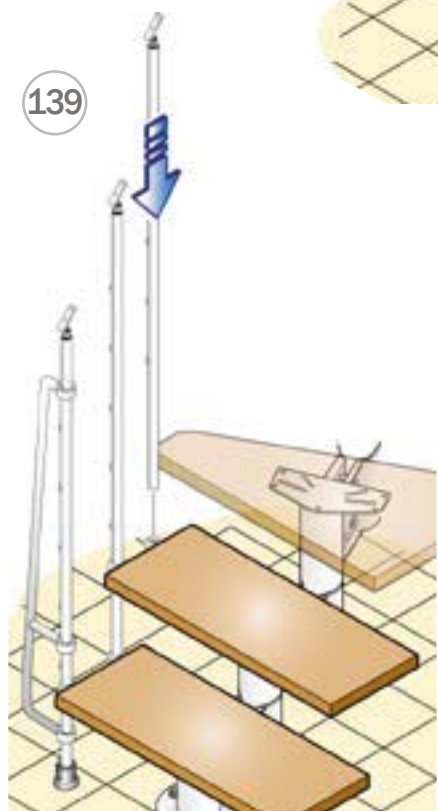
138



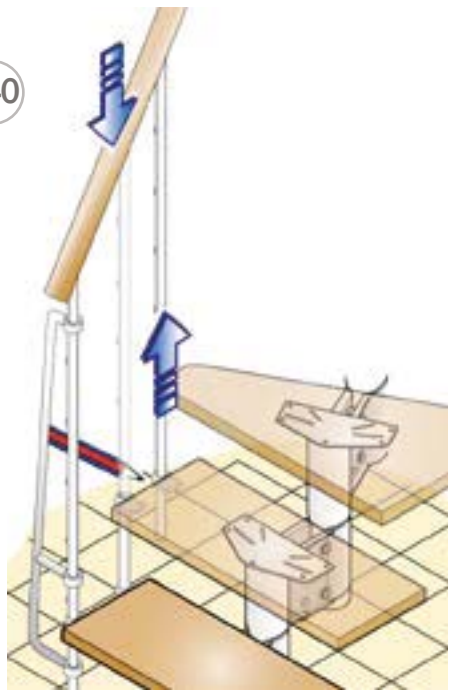
31



139



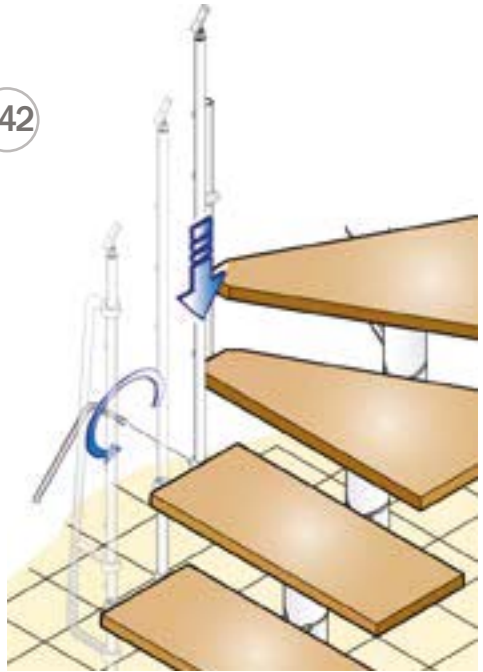
140



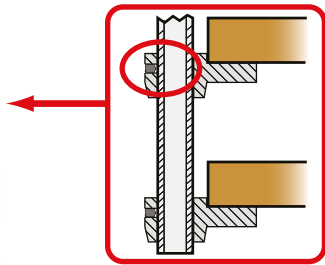
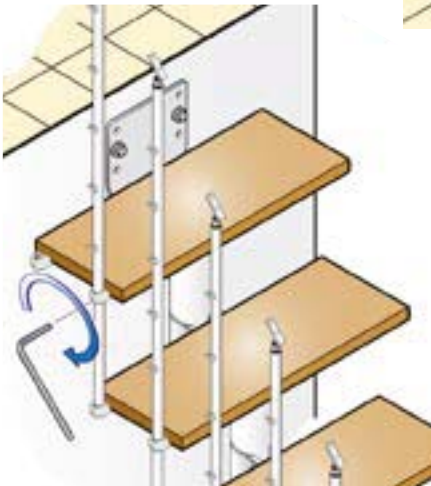
141



142

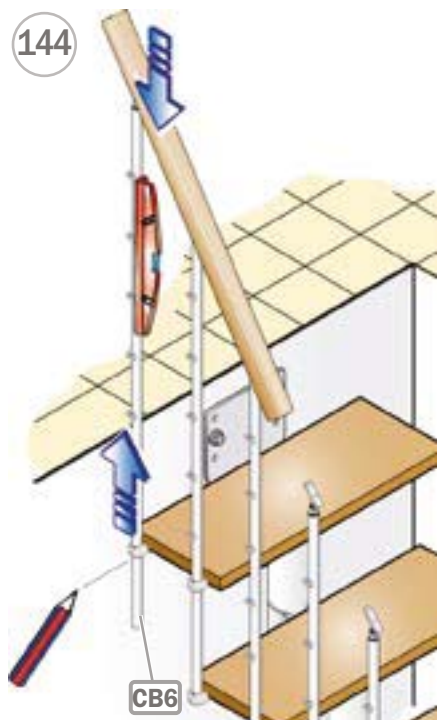


143

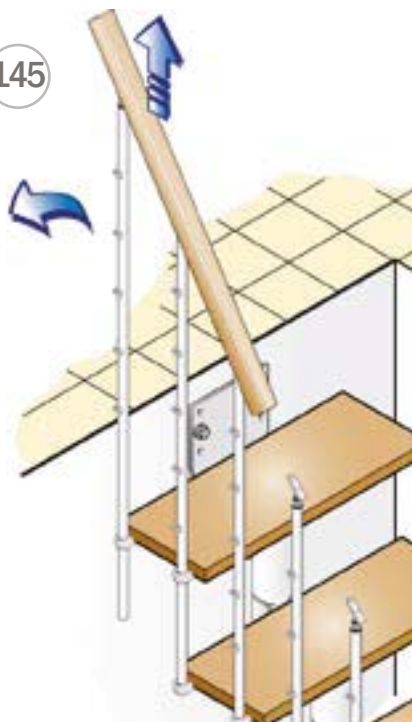


nice 4 line

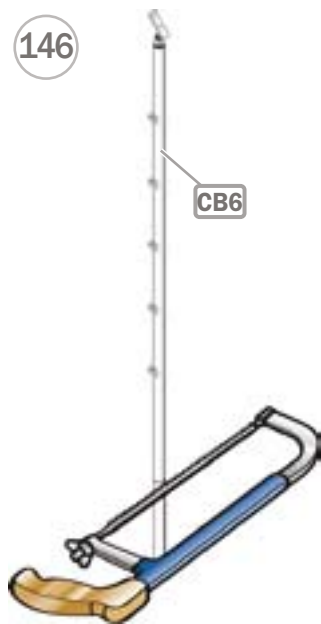
144



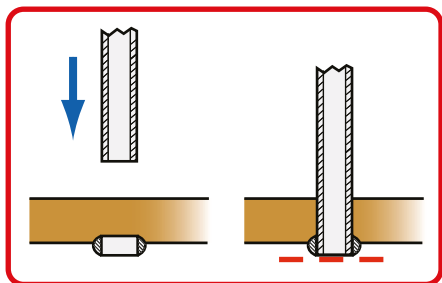
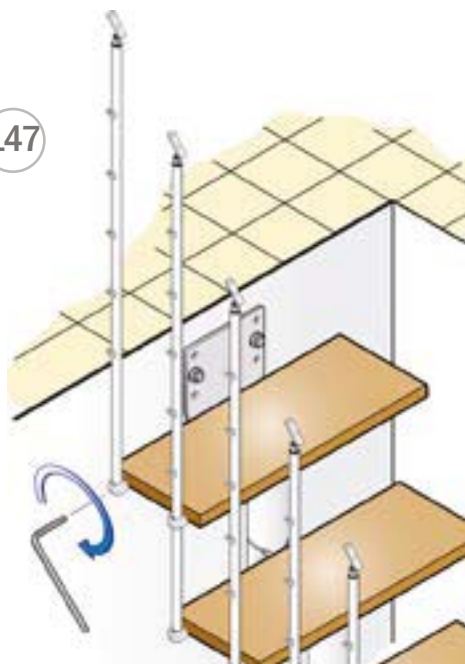
145



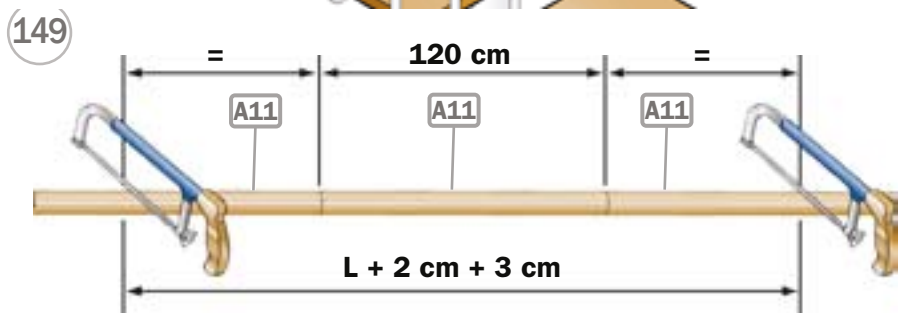
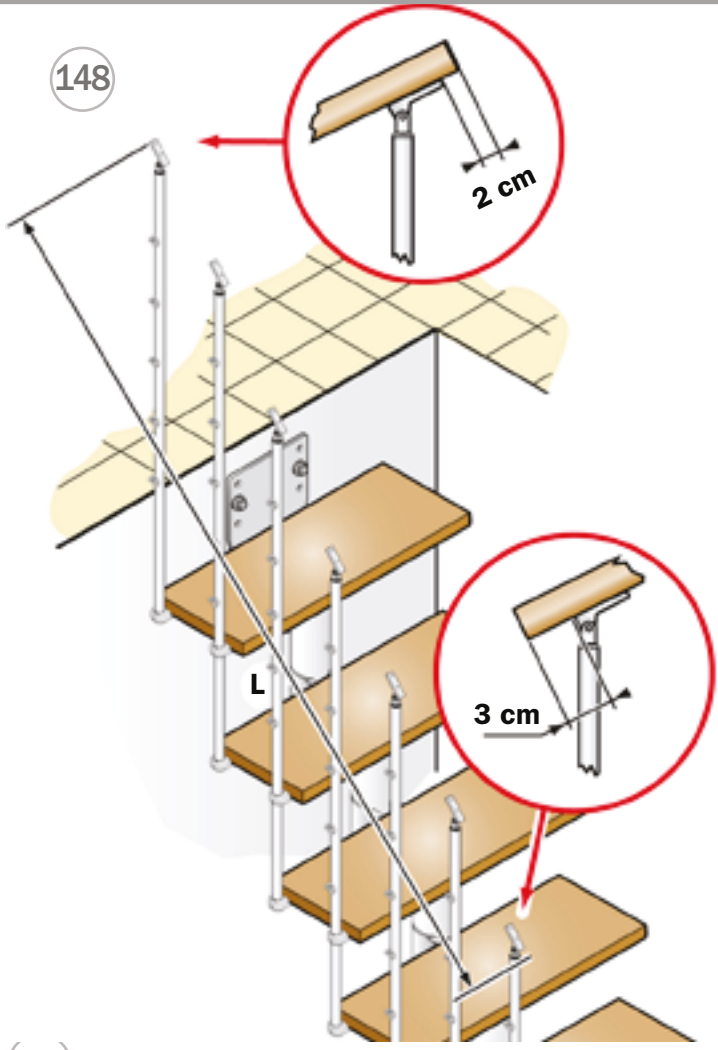
146



147



nice 4 line

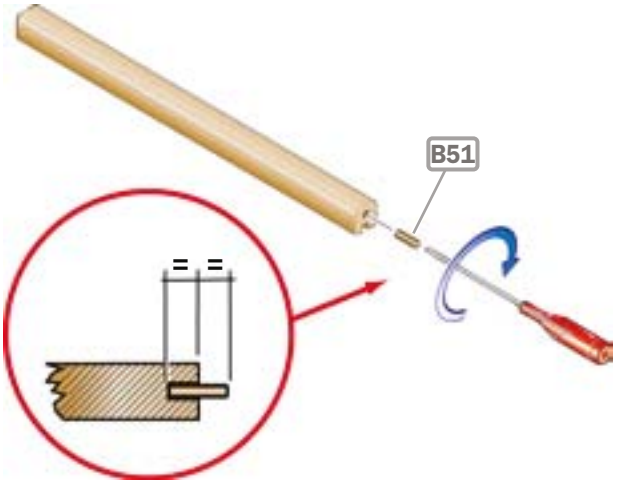


nice 4 line

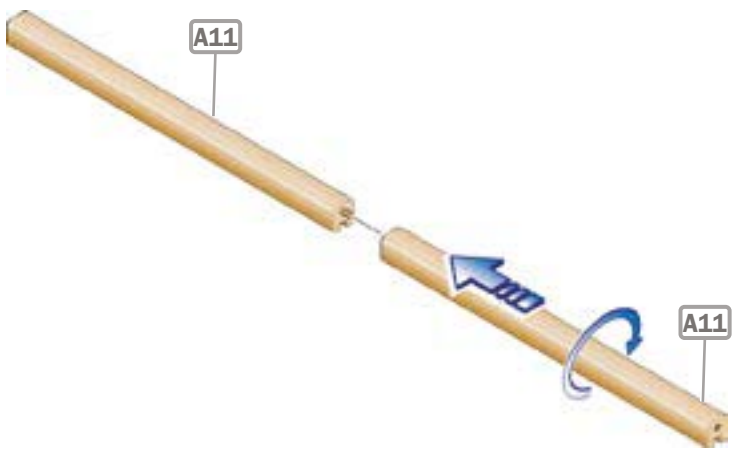
150



151

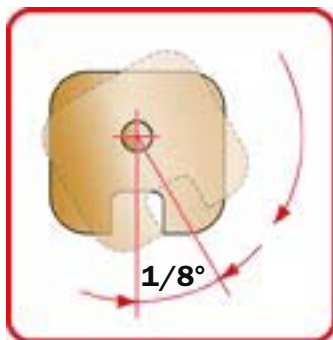
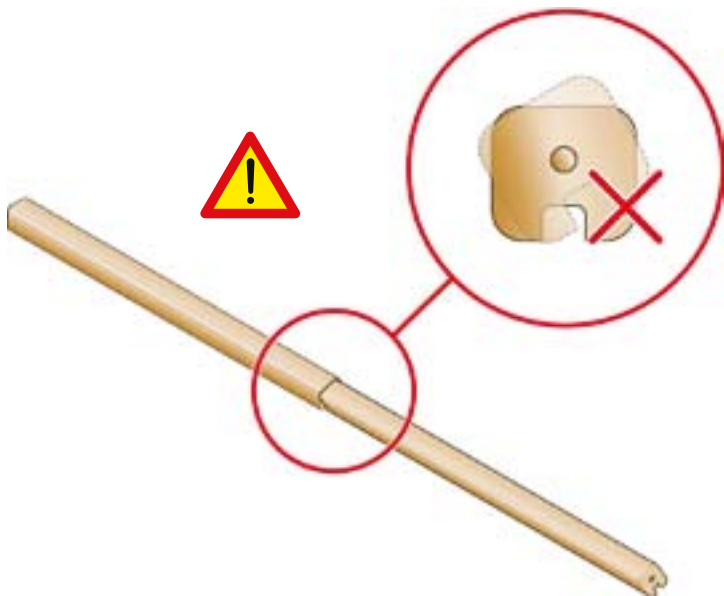


152



nice 4 line

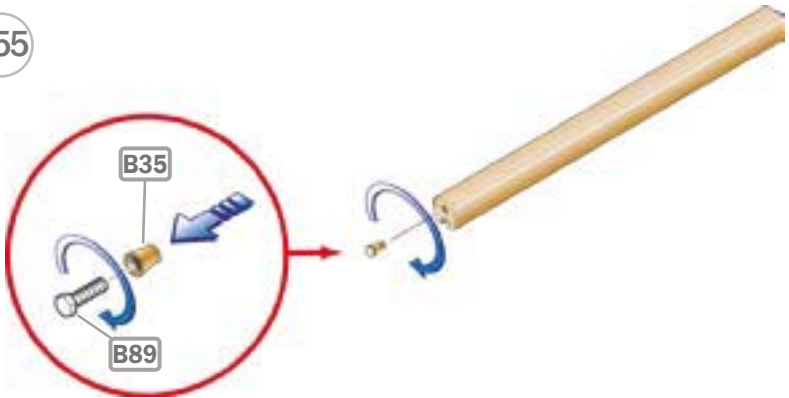
153



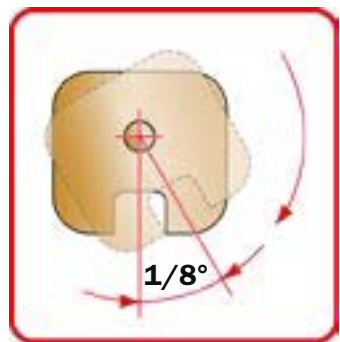
154



155



156

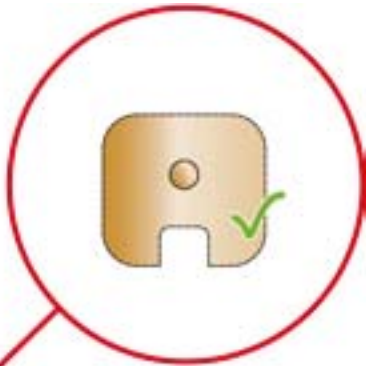


nice 4 line

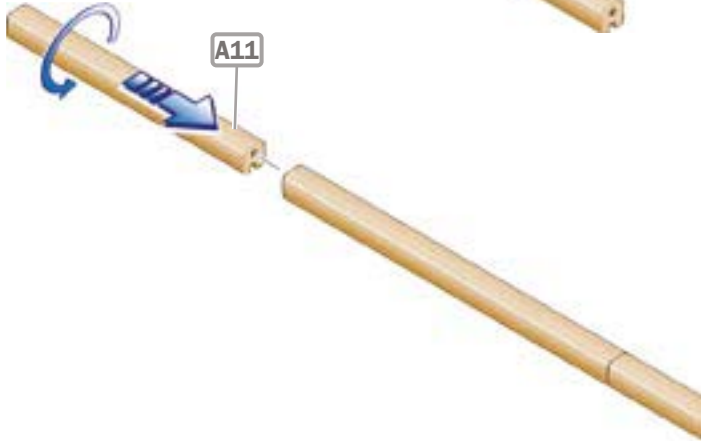
157



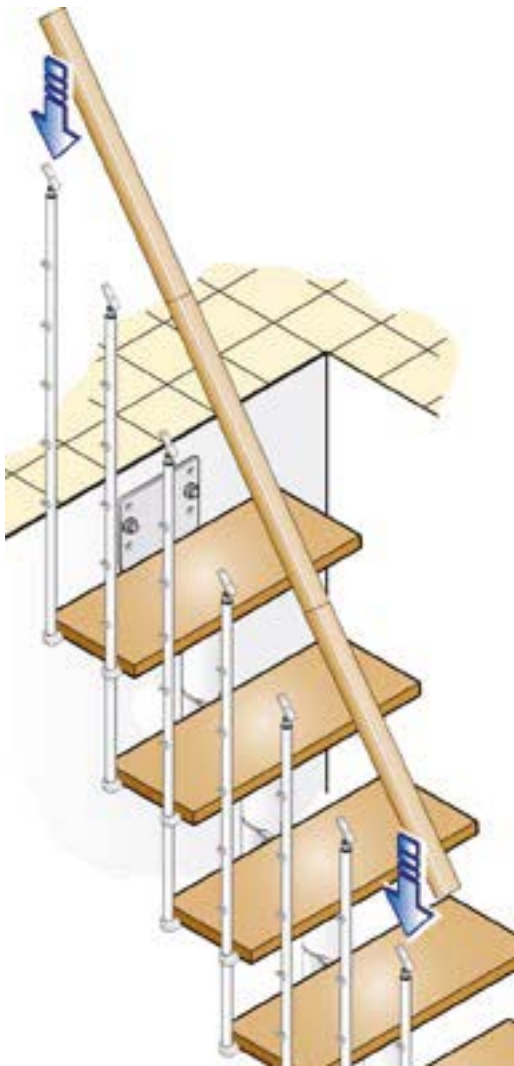
158



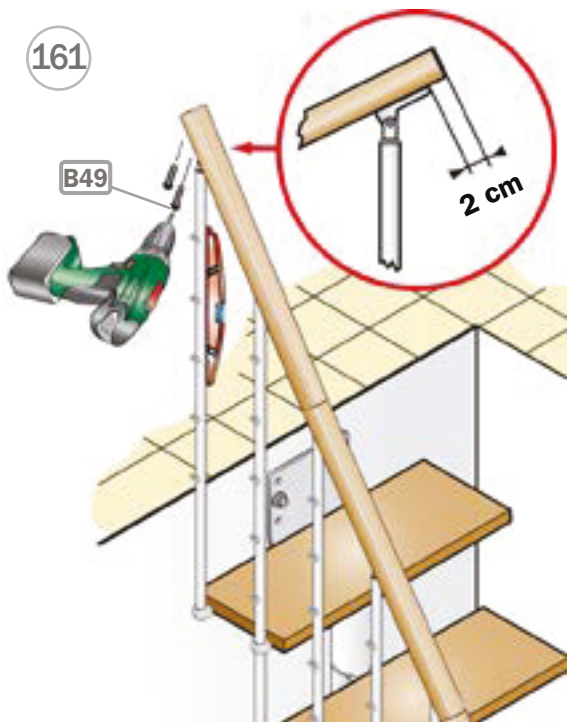
159



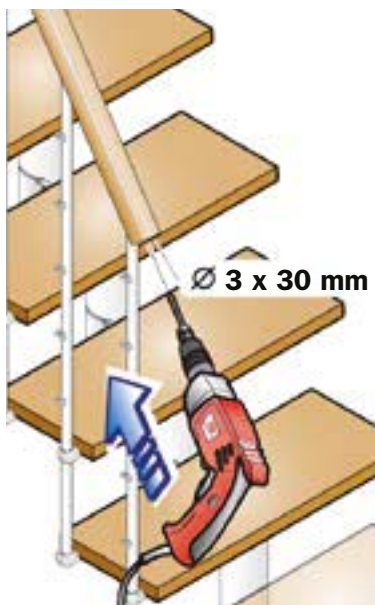
160



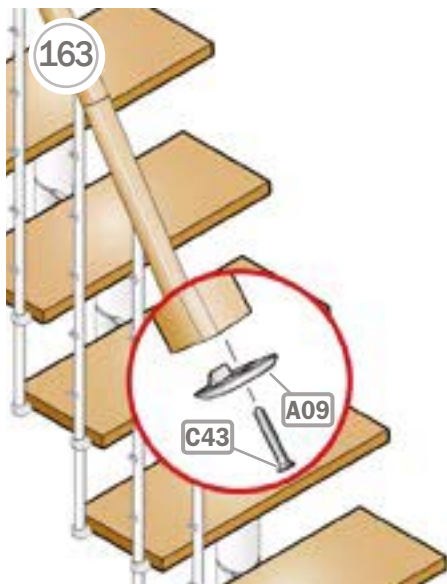
161



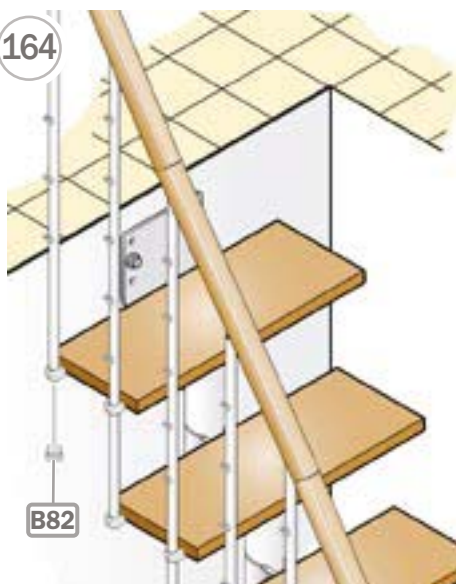
162

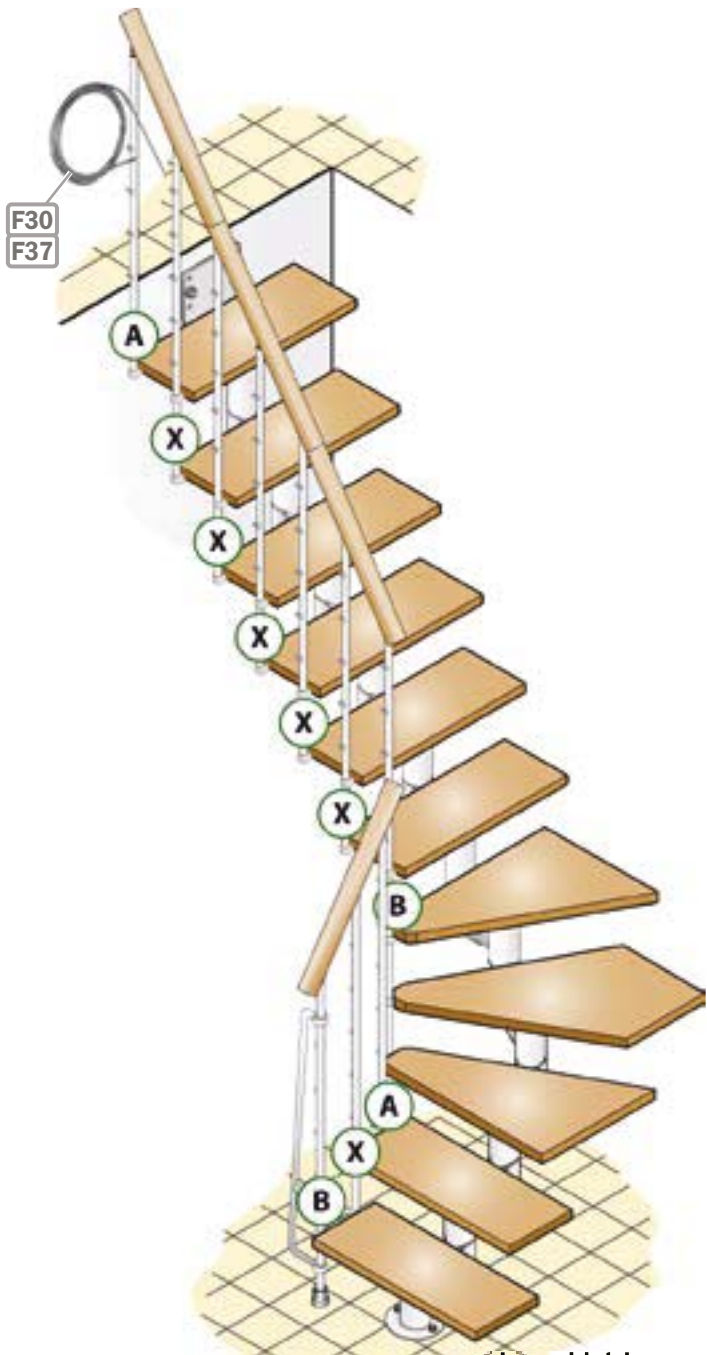


163

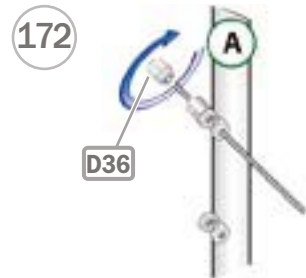
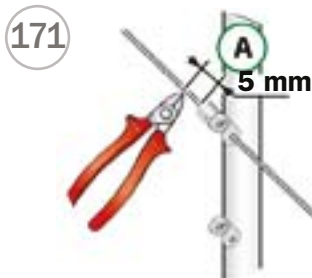
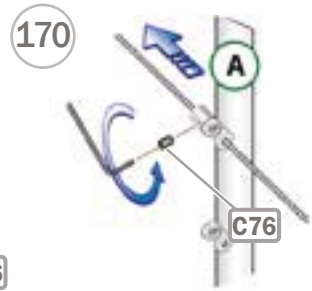
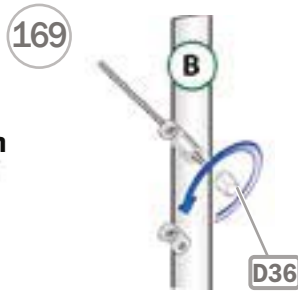
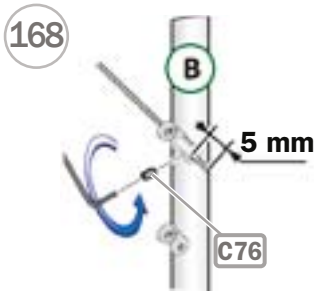
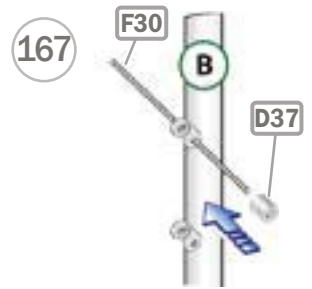
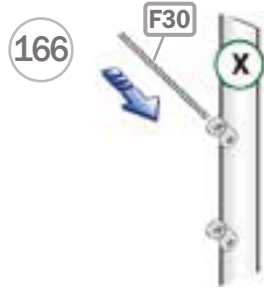
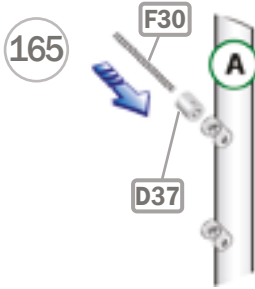


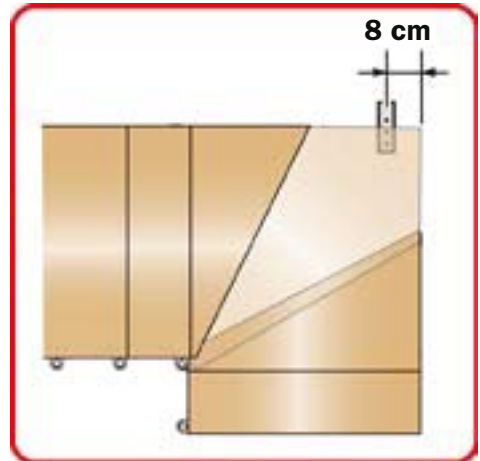
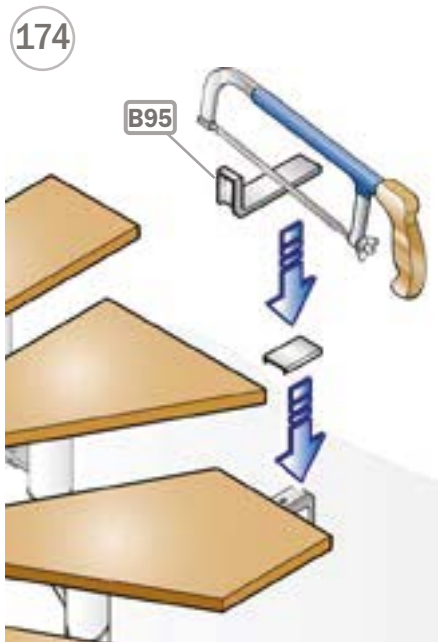
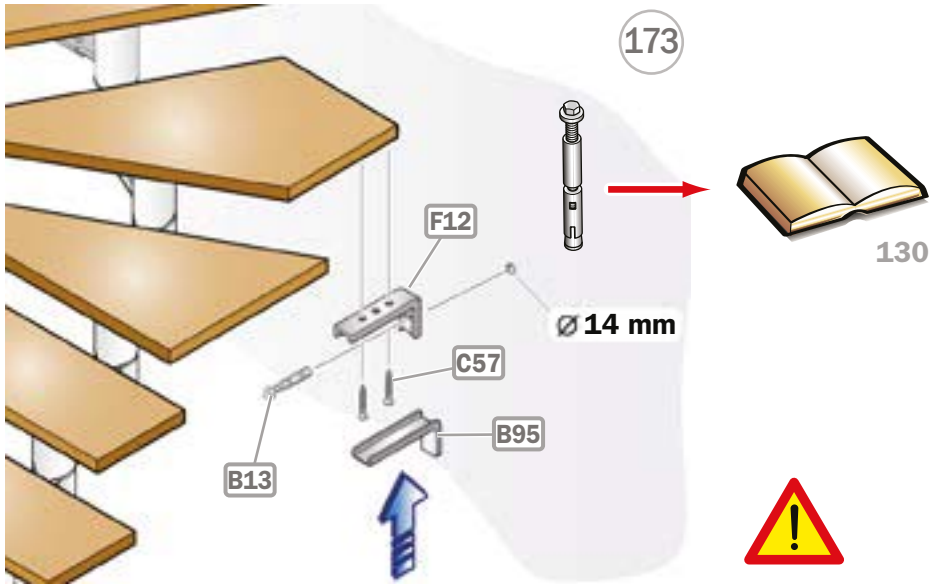
164

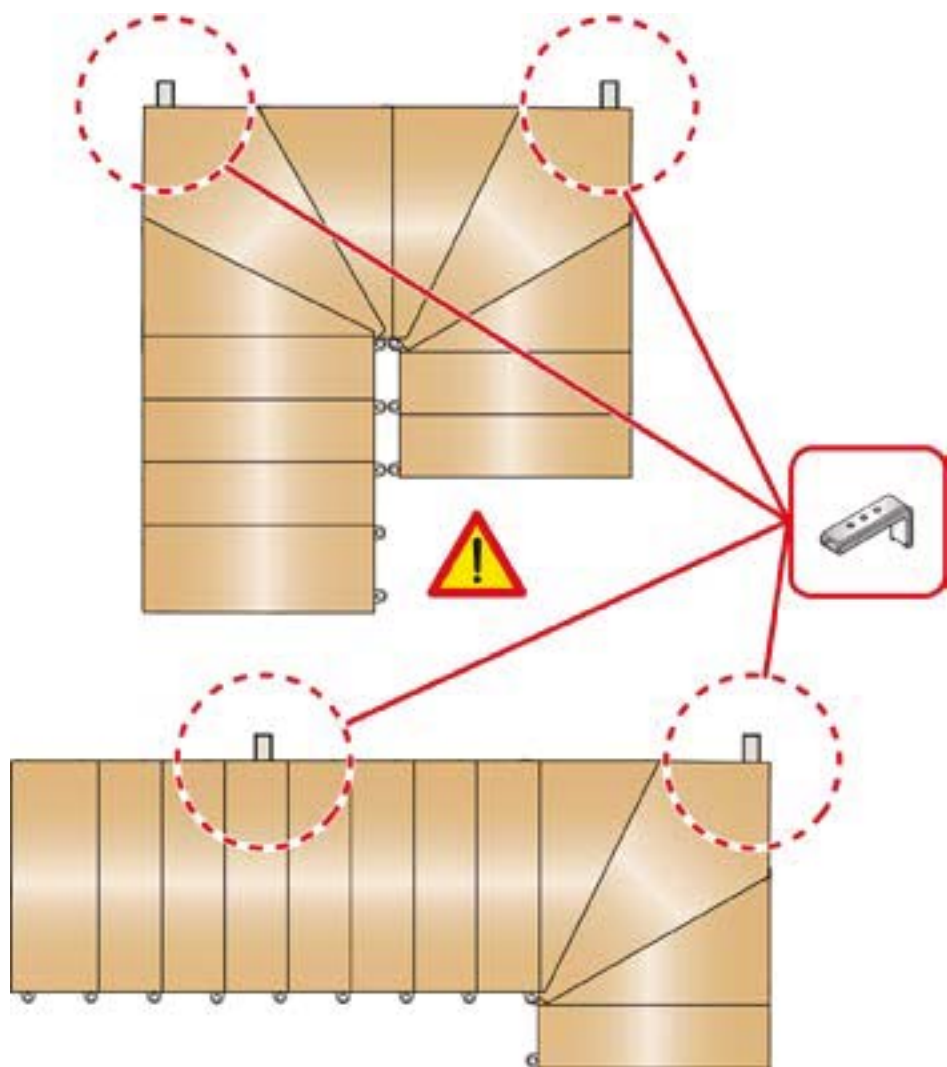


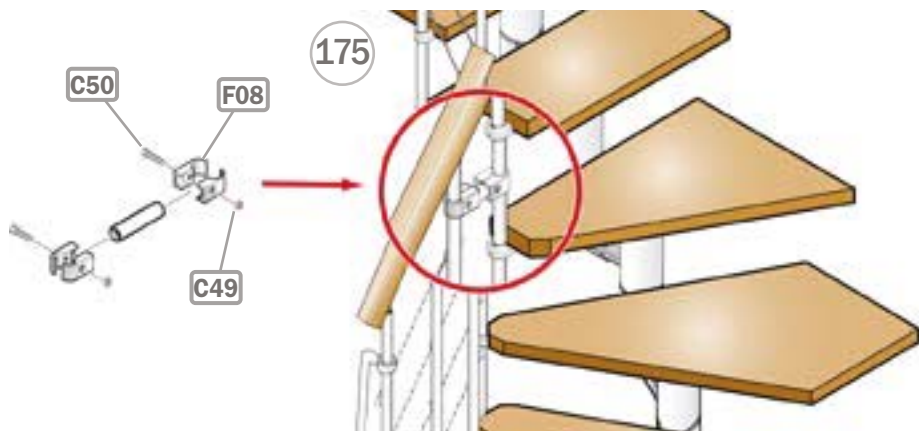
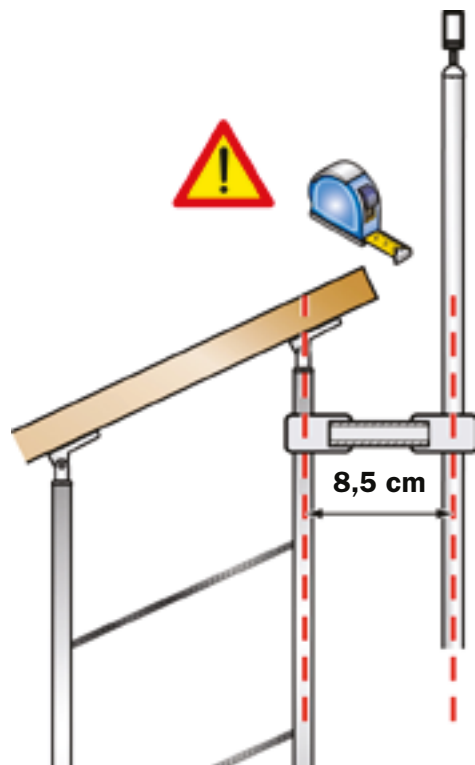


nice 4 line



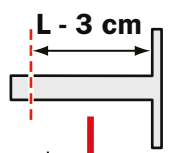
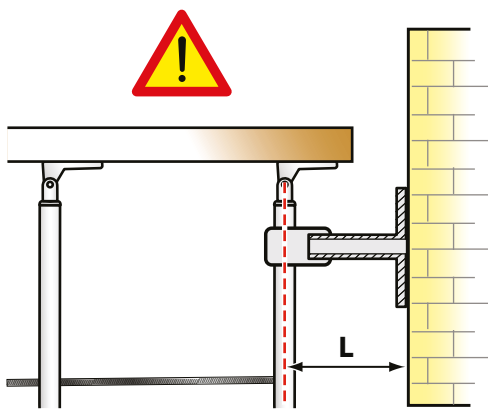
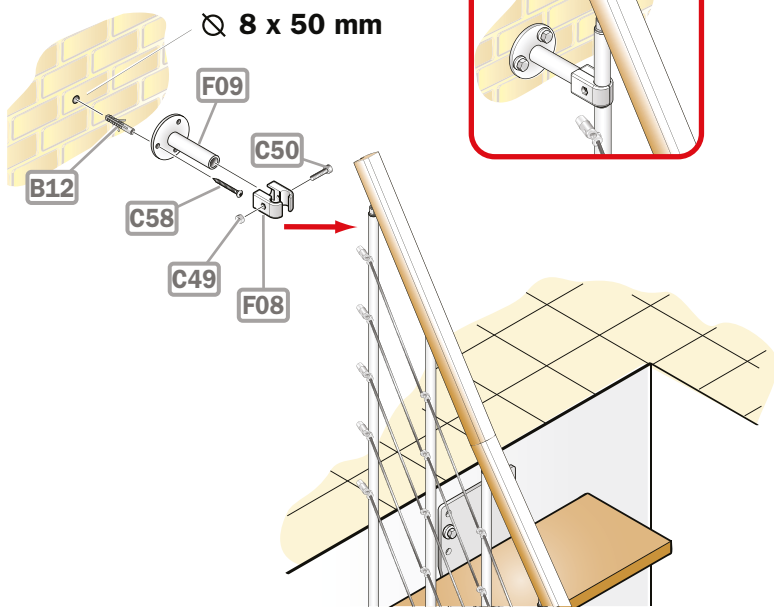




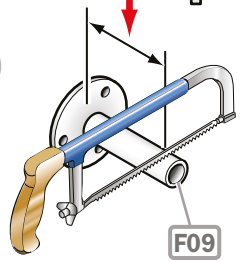


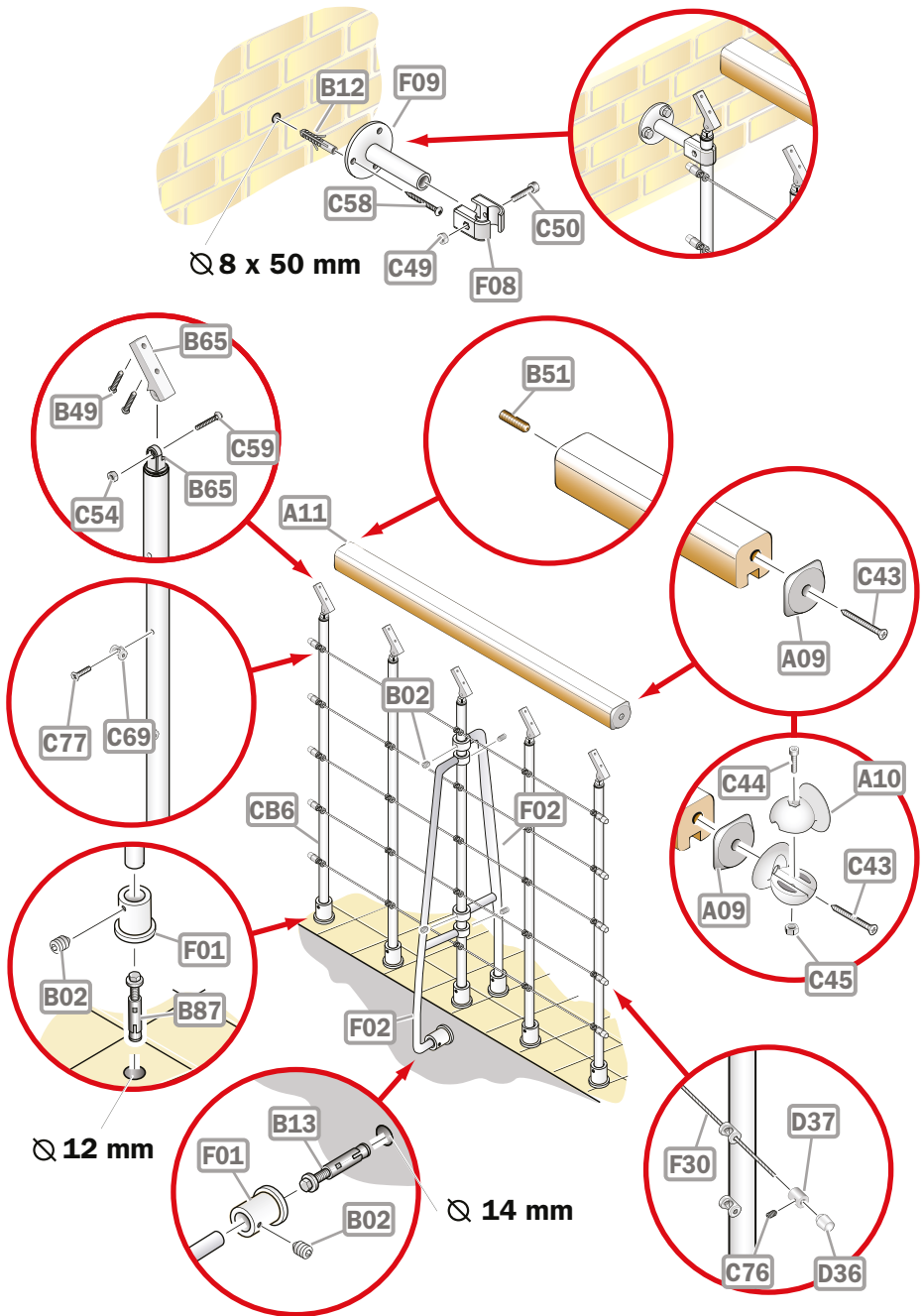
nice 4 line

176
































177

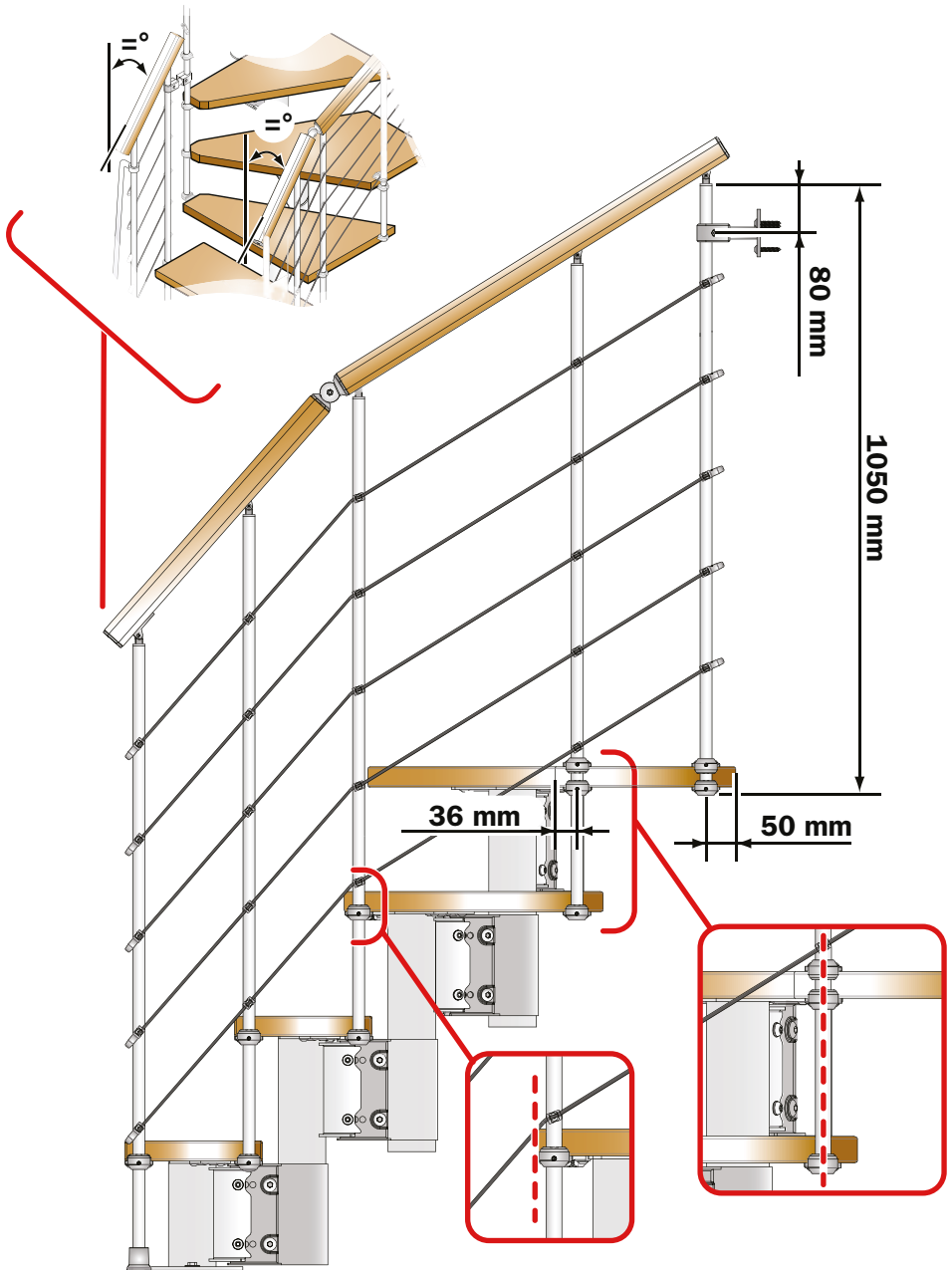


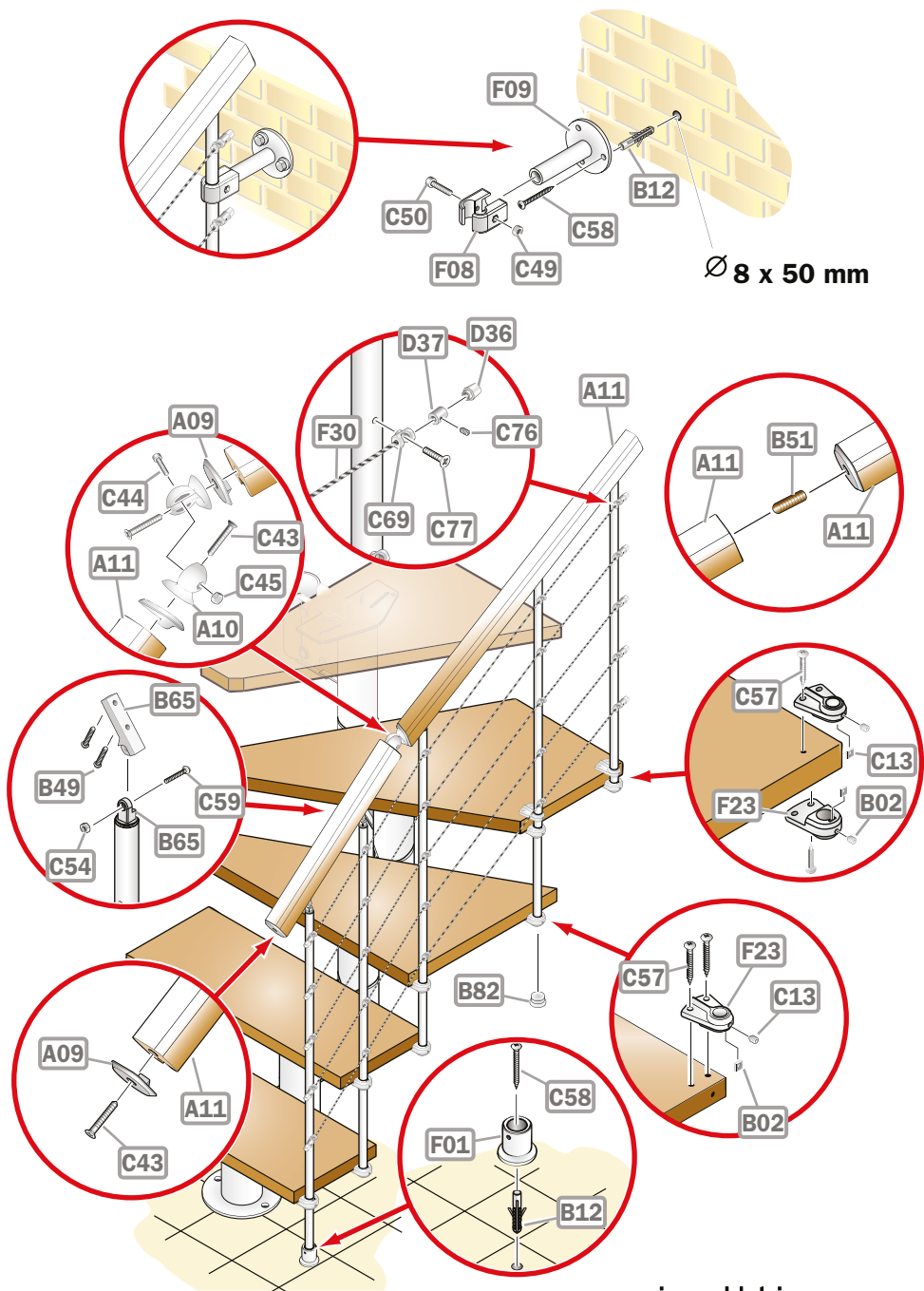


nice 4 line

<p>A09</p>  <p>4</p>	<p>A10</p>  <p>2</p>	<p>A11</p>  <p>1</p>
<p>B02</p>  <p>8</p>	<p>B12</p>  <p>3</p>	<p>B13</p>  <p>1</p>
<p>B49</p>  <p>10</p>	<p>B51</p>  <p>1</p>	<p>B65</p>  <p>5</p>
<p>B87</p>  <p>5</p>	<p>C43</p>  <p>4</p>	<p>C44</p>  <p>1</p>
<p>C45</p>  <p>1</p>	<p>C49</p>  <p>1</p>	<p>C50</p>  <p>31</p>
















<p>C54</p>  <p>5</p>	<p>C58</p>  <p>3</p>	<p>C59</p>  <p>5</p>
<p>C69</p>  <p>25</p>	<p>C76</p>  <p>10</p>	<p>C77</p>  <p>25</p>
<p>CB7</p>  <p>5</p>	<p>D36</p>  <p>10</p>	<p>D37</p>  <p>10</p>
<p>F01</p>  <p>11</p>	<p>F02</p>  <p>1</p>	<p>F08</p>  <p>6</p>
<p>F09</p>  <p>2</p>	<p>F30</p>  <p>1</p>	



















Ø 8 x 50 mm

nice 4 line

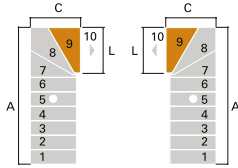
<p>A09</p>  <p>4</p>	<p>A10</p>  <p>2</p>	<p>A11</p>  <p>1</p>
<p>B02</p>  <p>8</p>	<p>B12</p>  <p>3</p>	<p>B49</p>  <p>8</p>
<p>B51</p>  <p>1</p>	<p>B65</p>  <p>4</p>	<p>B82</p>  <p>4</p>
<p>C13</p>  <p>8</p>	<p>C43</p>  <p>4</p>	<p>C44</p>  <p>1</p>
<p>C45</p>  <p>1</p>	<p>C49</p>  <p>1</p>	<p>C50</p>  <p>1</p>

<p>C54</p>  <p>4</p>	<p>C57</p>  <p>16</p>	<p>C58</p>  <p>3</p>
<p>C59</p>  <p>4</p>	<p>C69</p>  <p>20</p>	<p>C76</p>  <p>10</p>
<p>C77</p>  <p>20</p>	<p>CB6</p>  <p>4</p>	<p>D36</p>  <p>10</p>
<p>D37</p>  <p>7</p>	<p>F08</p>  <p>2</p>	<p>F09</p>  <p>1</p>
<p>F23</p>  <p>8</p>	<p>F30</p>  <p>1</p>	

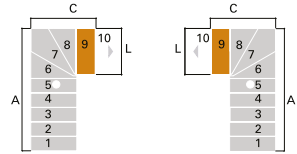
L (cm)	A (cm)	C (cm)
00	000-000-000	00

G1 G2 G3

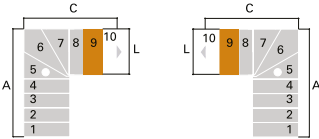
10



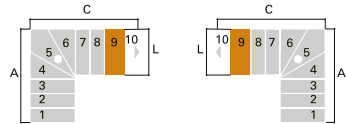
L (cm)	A (cm)	C (cm)
64	164-171-179	68



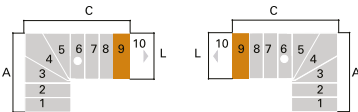
L (cm)	A (cm)	C (cm)
64	148-154-161	85



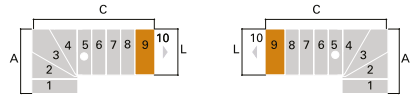
L (cm)	A (cm)	C (cm)
64	132-137-142	101-103-104



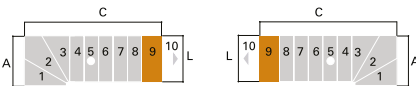
L (cm)	A (cm)	C (cm)
64	116-120-124	117-120-122



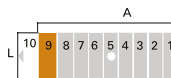
L (cm)	A (cm)	C (cm)
64	100-102-105	133-137-141



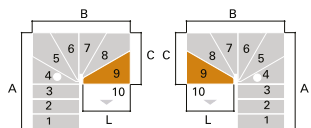
L (cm)	A (cm)	C (cm)
64	84-85-87	149-154-159



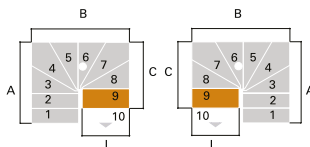
L (cm)	A (cm)	C (cm)
64	68	165-171-178



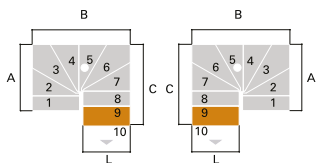
L (cm)	A (cm)
64	152-162-172



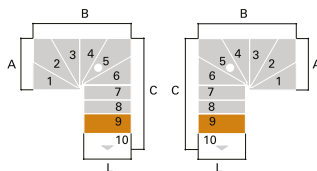
L (cm)	A (cm)	B (cm)	C (cm)
64	161-120-124	129	68



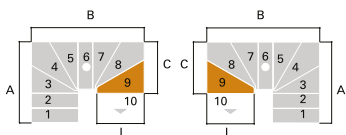
L (cm)	A (cm)	B (cm)	C (cm)
64	100-102-105	129	85



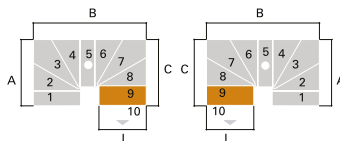
L (cm)	A (cm)	B (cm)	C (cm)
64	84-85-87	129	102-103-104



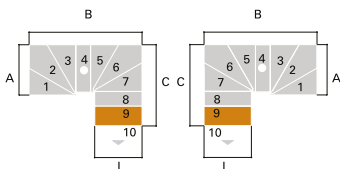
L (cm)	A (cm)	B (cm)	C (cm)
64	68	129	117-119-122



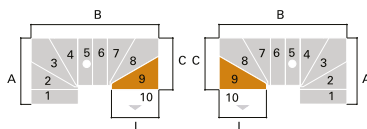
L (cm)	A (cm)	B (cm)	C (cm)
64	100-102-105	145-146-148	68



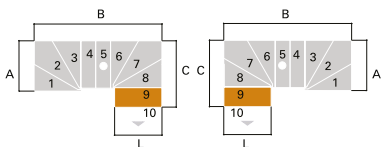
L (cm)	A (cm)	B (cm)	C (cm)
64	84-85-87	145-146-148	85



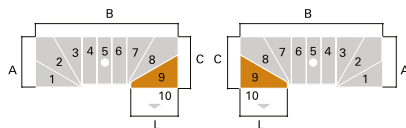
L (cm)	A (cm)	B (cm)	C (cm)
64	68	145-146-148	101-102-104



L (cm)	A (cm)	B (cm)	C (cm)
64	84-85-87	161-163-166	68

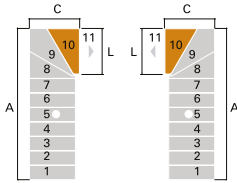


L (cm)	A (cm)	B (cm)	C (cm)
64	68	161-163-166	85

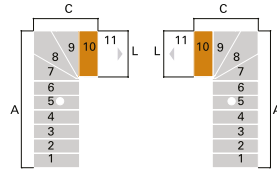


L (cm)	A (cm)	B (cm)	C (cm)
64	68	177-181-185	68

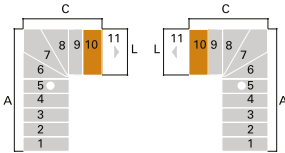
11



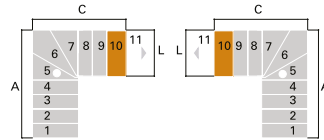
L (cm)	A (cm)	C (cm)
64	180-188-198	68



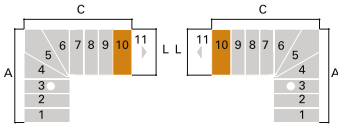
L (cm)	A (cm)	C (cm)
64	164-171-179	85



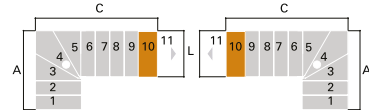
L (cm)	A (cm)	C (cm)
64	148-154-161	101-102-104



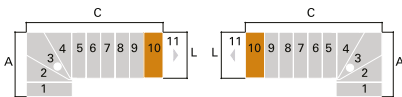
L (cm)	A (cm)	C (cm)
64	132-137-142	117-119-122



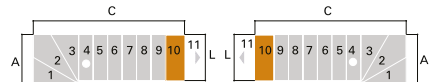
L (cm)	A (cm)	C (cm)
64	116-120-124	133-137-141



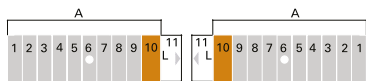
L (cm)	A (cm)	C (cm)
64	100-102-105	149-154-159



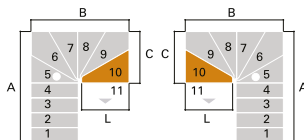
L (cm)	A (cm)	C (cm)
64	84-85-87	165-171-178



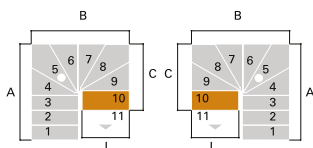
L (cm)	A (cm)	C (cm)
64	68	181-188-196



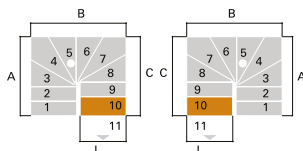
L (cm)	A (cm)
64	168-179-191



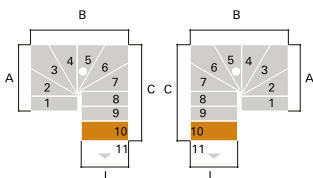
L (cm)	A (cm)	B (cm)	C (cm)
64	132-137-142	129	68



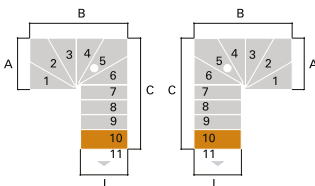
L (cm)	A (cm)	B (cm)	C (cm)
64	116-120-124	129	85



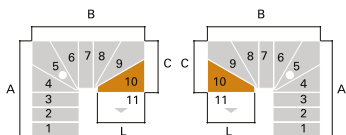
L (cm)	A (cm)	B (cm)	C (cm)
64	100-102-105	129	101-102-104



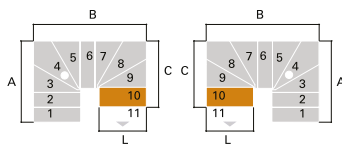
L (cm)	A (cm)	B (cm)	C (cm)
64	84-85-87	129	117-119-122



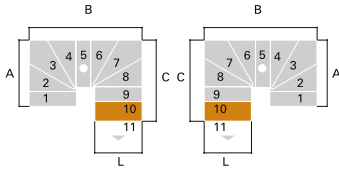
L (cm)	A (cm)	B (cm)	C (cm)
64	68	129	133-137-141



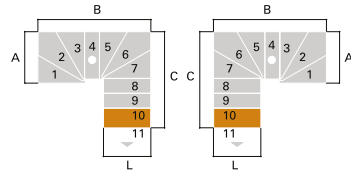
L (cm)	A (cm)	B (cm)	C (cm)
64	116-120-124	145-146-148	68



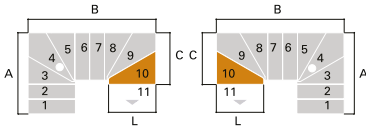
L (cm)	A (cm)	B (cm)	C (cm)
64	100-102-105	145-146-148	85



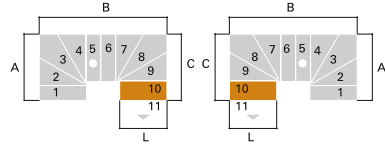
L (cm)	A (cm)	B (cm)	C (cm)
64	84-85-87	145-146-148	101-102-104



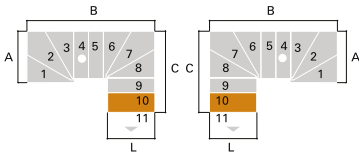
L (cm)	A (cm)	B (cm)	C (cm)
64	68	145-146-148	133-137-141



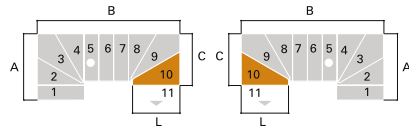
L (cm)	A (cm)	B (cm)	C (cm)
64	100-102-105	161-163-166	68



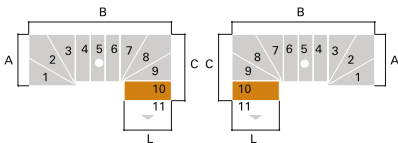
L (cm)	A (cm)	B (cm)	C (cm)
64	84-85-87	161-163-166	85



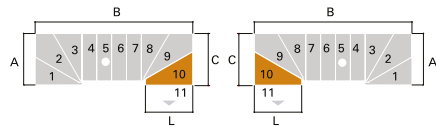
L (cm)	A (cm)	B (cm)	C (cm)
64	68	161-163-166	101-102-104



L (cm)	A (cm)	B (cm)	C (cm)
64	84-85-87	177-181-185	68

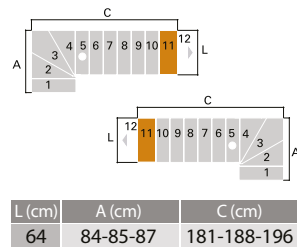
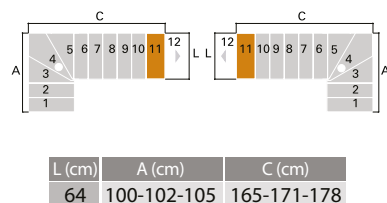
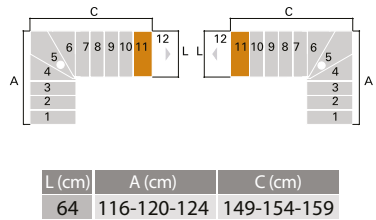
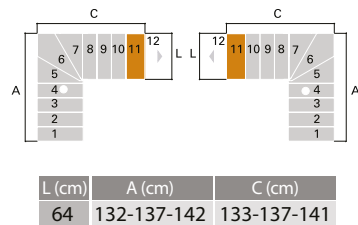
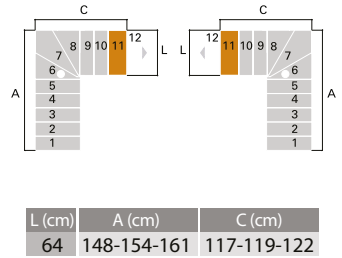
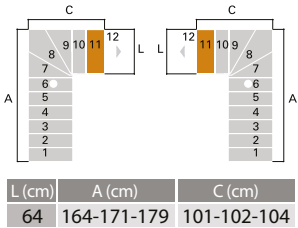
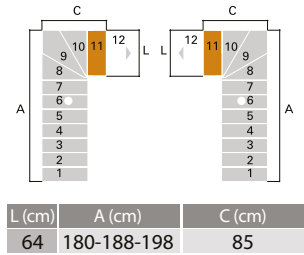
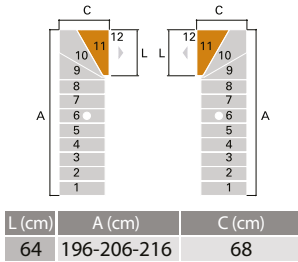


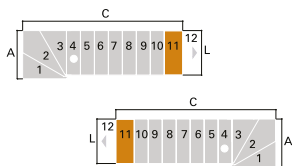
L (cm)	A (cm)	B (cm)	C (cm)
64	68	177-181-185	85



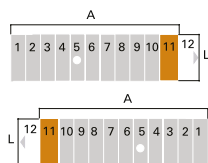
L (cm)	A (cm)	B (cm)	C (cm)
64	68	193-198-203	68

12

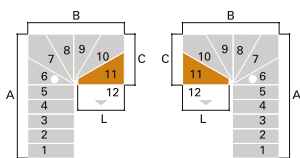




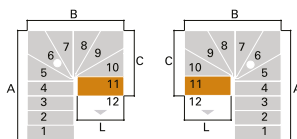
L (cm)	A (cm)	C (cm)
64	68	197-205-215



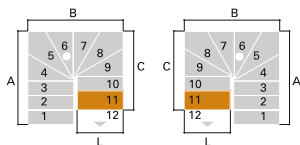
L (cm)	A (cm)
64	184-196-209



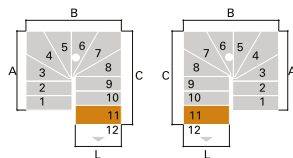
L (cm)	A (cm)	B (cm)	C (cm)
64	148-154-161	129	68



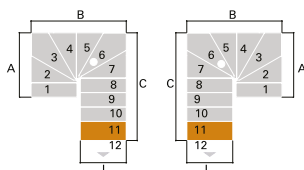
L (cm)	A (cm)	B (cm)	C (cm)
64	132-137-142	129	85



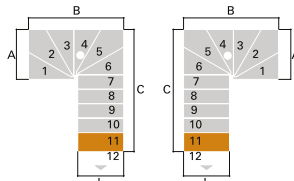
L (cm)	A (cm)	B (cm)	C (cm)
64	116-120-124	129	101-102-104



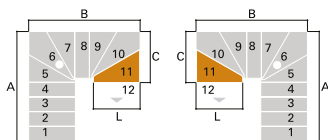
L (cm)	A (cm)	B (cm)	C (cm)
64	100-102-105	129	117-119-122



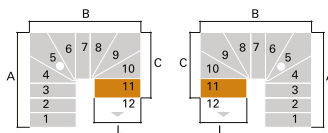
L (cm)	A (cm)	B (cm)	C (cm)
64	84-85-87	129	133-137-141



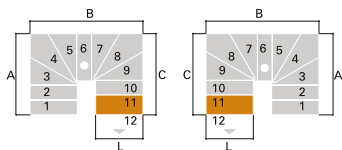
L (cm)	A (cm)	B (cm)	C (cm)
64	68	129	149-154-159



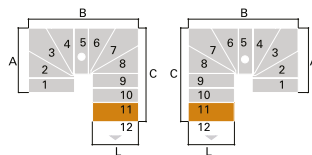
L (cm)	A (cm)	B (cm)	C (cm)
64	132-137-142	145-146-148	68



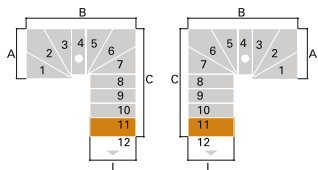
L (cm)	A (cm)	B (cm)	C (cm)
64	116-120-124	145-146-148	85



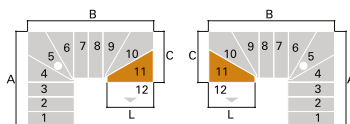
L (cm)	A (cm)	B (cm)	C (cm)
64	100-102-105	145-146-148	101-102-104



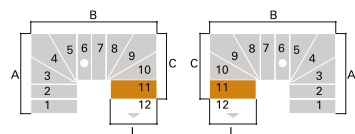
L (cm)	A (cm)	B (cm)	C (cm)
64	84-85-87	145-146-148	117-119-122



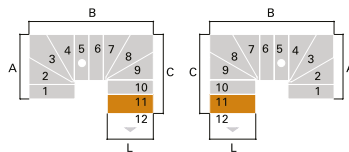
L (cm)	A (cm)	B (cm)	C (cm)
64	68	145-146-148	133-137-141



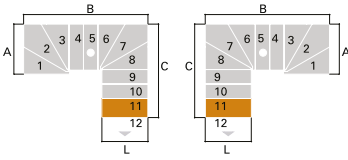
L (cm)	A (cm)	B (cm)	C (cm)
64	116-120-124	161-163-166	68



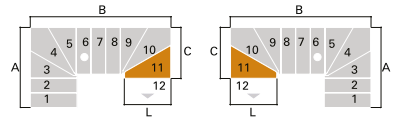
L (cm)	A (cm)	B (cm)	C (cm)
64	100-102-105	161-163-166	85



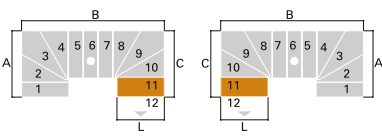
L (cm)	A (cm)	B (cm)	C (cm)
64	84-85-87	161-163-166	101-102-104



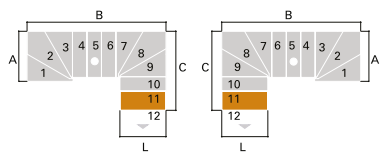
L (cm)	A (cm)	B (cm)	C (cm)
64	68	161-163-166	117-119-122



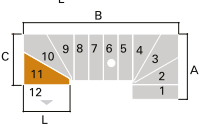
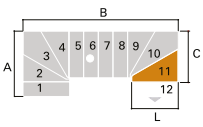
L (cm)	A (cm)	B (cm)	C (cm)
64	100-102-105	177-181-185	68



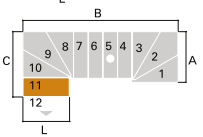
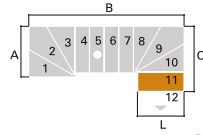
L (cm)	A (cm)	B (cm)	C (cm)
64	84-85-87	177-181-185	85



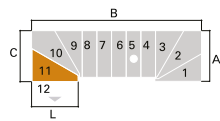
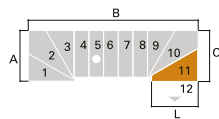
L (cm)	A (cm)	B (cm)	C (cm)
64	68	177-181-185	101-102-104



L (cm)	A (cm)	B (cm)	C (cm)
64	84-85-87	193-198-203	68

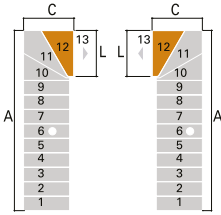


L (cm)	A (cm)	B (cm)	C (cm)
64	68	193-198-203	85

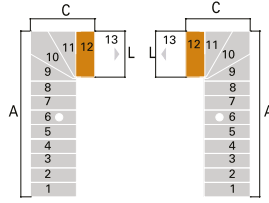


L (cm)	A (cm)	B (cm)	C (cm)
64	68	209-215-222	68

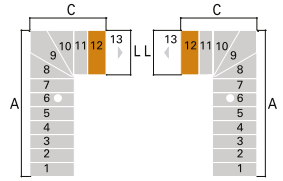
13



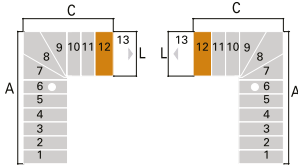
L (cm)	A (cm)	C (cm)
64	212-223-235	68



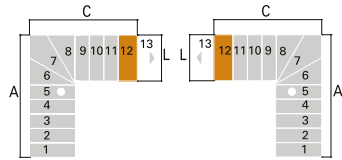
L (cm)	A (cm)	C (cm)
64	196-206-216	85



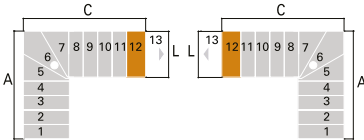
L (cm)	A (cm)	C (cm)
64	180-188-198	101-102-104



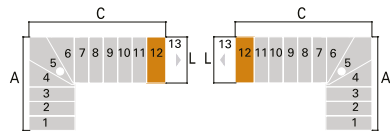
L (cm)	A (cm)	C (cm)
64	164-171-179	117-119-122



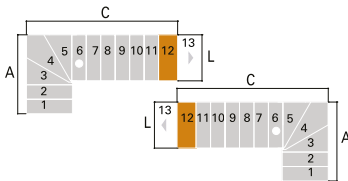
L (cm)	A (cm)	C (cm)
64	148-154-161	133-137-141



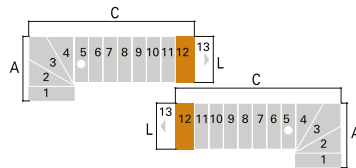
L (cm)	A (cm)	C (cm)
64	132-137-142	149-154-159



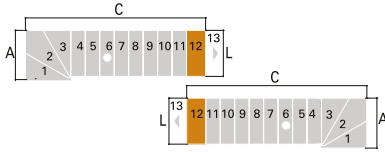
L (cm)	A (cm)	C (cm)
64	116-120-124	165-171-178



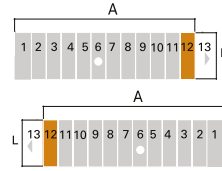
L (cm)	A (cm)	C (cm)
64	100-102-105	181-188-196



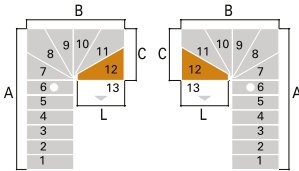
L (cm)	A (cm)	C (cm)
64	84-85-87	197-205-215



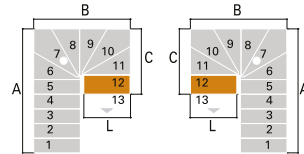
L (cm)	A (cm)	C (cm)
64	68	213-223-233



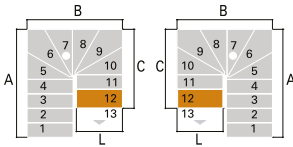
L (cm)	A (cm)
64	200-213-228



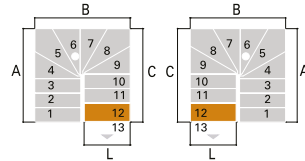
L (cm)	A (cm)	B (cm)	C (cm)
64	164-171-179	129	68



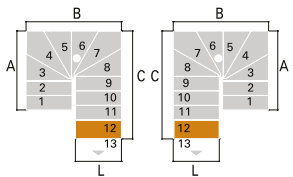
L (cm)	A (cm)	B (cm)	C (cm)
64	148-154-161	129	85



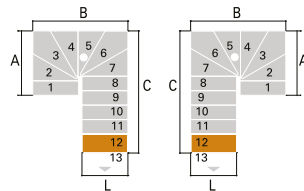
L (cm)	A (cm)	B (cm)	C (cm)
64	132-137-142	129	101-102-104



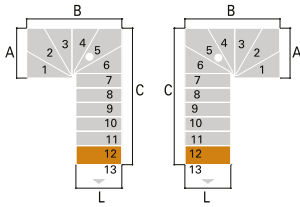
L (cm)	A (cm)	B (cm)	C (cm)
64	116-120-124	129	117-119-122



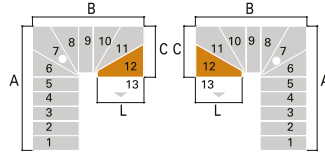
L (cm)	A (cm)	B (cm)	C (cm)
64	100-102-105	129	133-137-141



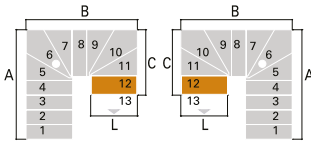
L (cm)	A (cm)	B (cm)	C (cm)
64	84-85-87	129	149-154-159



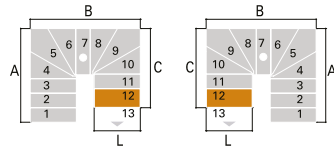
L (cm)	A (cm)	B (cm)	C (cm)
64	68	129	165-171-178



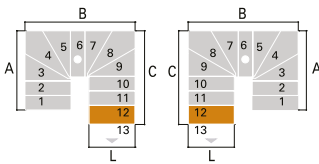
L (cm)	A (cm)	B (cm)	C (cm)
64	148-154-161	145-146-148	68



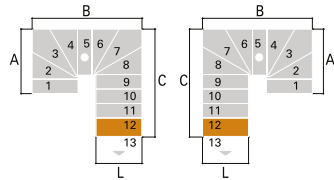
L (cm)	A (cm)	B (cm)	C (cm)
64	132-137-142	145-146-148	85



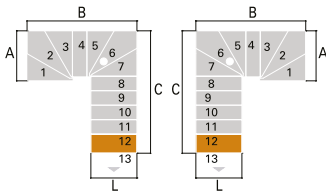
L (cm)	A (cm)	B (cm)	C (cm)
64	116-120-124	145-146-148	101-102-104



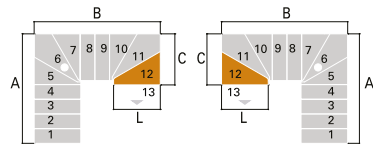
L (cm)	A (cm)	B (cm)	C (cm)
64	100-102-105	145-146-148	117-119-122



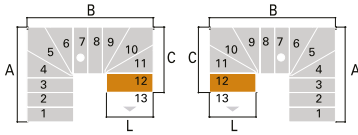
L (cm)	A (cm)	B (cm)	C (cm)
64	84-85-87	145-146-148	133-137-141



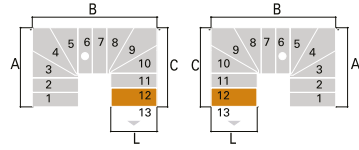
L (cm)	A (cm)	B (cm)	C (cm)
64	68	145-146-148	149-154-166



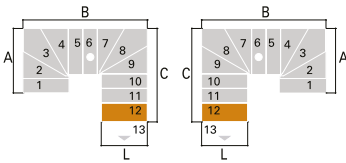
L (cm)	A (cm)	B (cm)	C (cm)
64	132-137-142	161-163-166	68



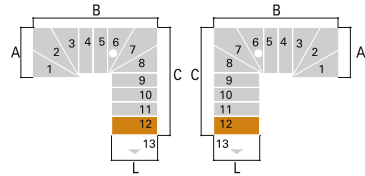
L (cm)	A (cm)	B (cm)	C (cm)
64	116-120-124	161-163-166	85



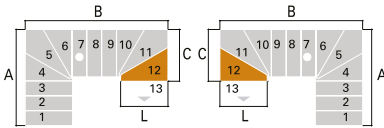
L (cm)	A (cm)	B (cm)	C (cm)
64	100-102-105	161-163-166	101-102-104



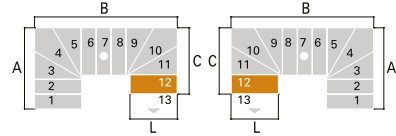
L (cm)	A (cm)	B (cm)	C (cm)
64	84-85-87	161-163-166	117-119-122



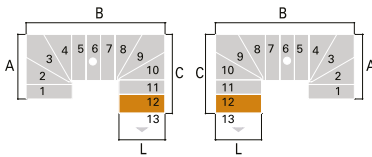
L (cm)	A (cm)	B (cm)	C (cm)
64	68	161-163-166	133-137-141



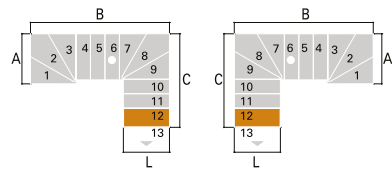
L (cm)	A (cm)	B (cm)	C (cm)
64	116-120-124	177-181-185	68



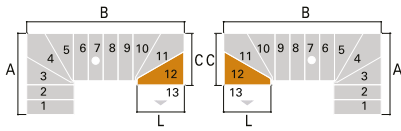
L (cm)	A (cm)	B (cm)	C (cm)
64	100-102-105	177-181-185	85



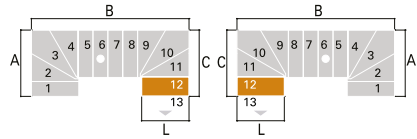
L (cm)	A (cm)	B (cm)	C (cm)
64	84-85-87	177-181-185	101-102-104



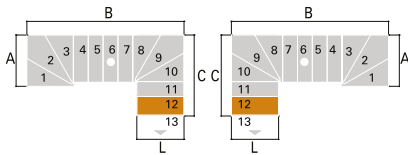
L (cm)	A (cm)	B (cm)	C (cm)
64	68	177-181-185	117-119-122



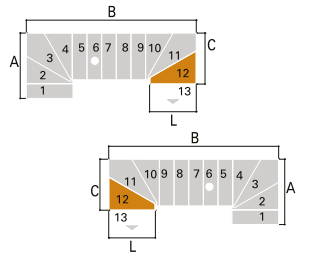
L (cm)	A (cm)	B (cm)	C (cm)
64	100-102-105	193-198-203	68



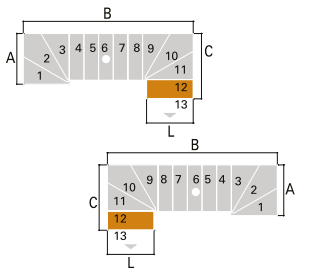
L (cm)	A (cm)	B (cm)	C (cm)
64	84-85-87	193-198-203	85



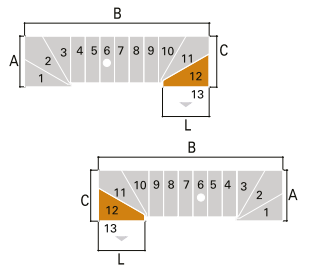
L (cm)	A (cm)	B (cm)	C (cm)
64	68	193-198-203	101-102-104



L (cm)	A (cm)	B (cm)	C (cm)
64	84-85-87	209-215-222	68

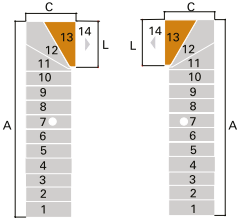


L (cm)	A (cm)	B (cm)	C (cm)
64	68	209-215-222	85

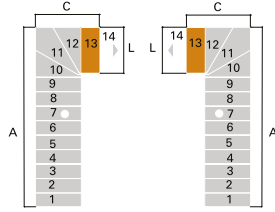


L (cm)	A (cm)	B (cm)	C (cm)
64	68	225-232-240	68

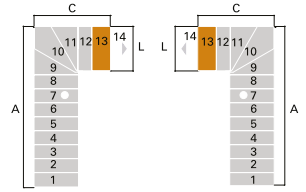
14



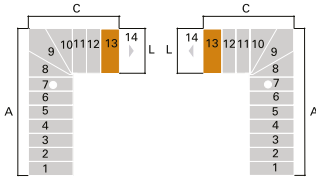
L (cm)	A (cm)	C (cm)
64	228-240-253	68



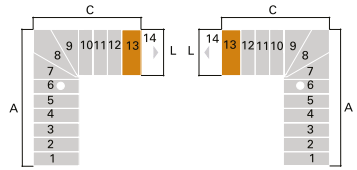
L (cm)	A (cm)	C (cm)
64	212-223-235	85



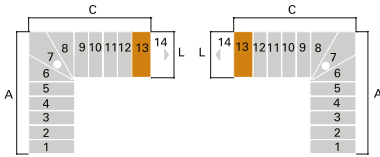
L (cm)	A (cm)	C (cm)
64	196-206-216	101-102-104



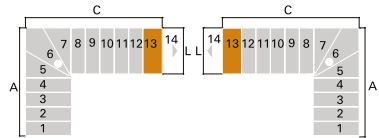
L (cm)	A (cm)	C (cm)
64	180-188-198	117-119-122



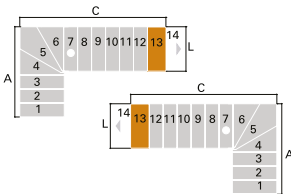
L (cm)	A (cm)	C (cm)
64	164-171-179	133-137-141



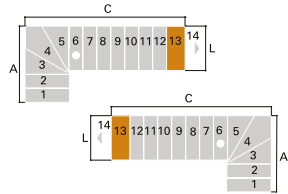
L (cm)	A (cm)	C (cm)
64	148-154-161	149-154-159



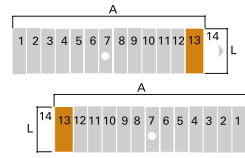
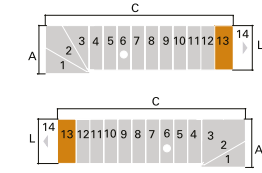
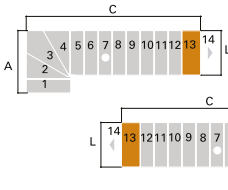
L (cm)	A (cm)	C (cm)
64	132-137-142	165-171-178



L (cm)	A (cm)	C (cm)
64	116-120-124	181-188-196



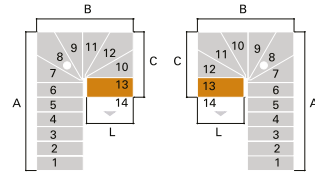
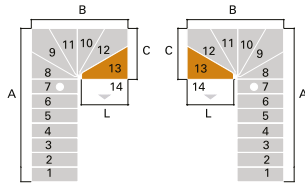
L (cm)	A (cm)	C (cm)
64	100-102-105	197-205-215



L (cm)	A (cm)	C (cm)
64	84-85-87	213-223-233

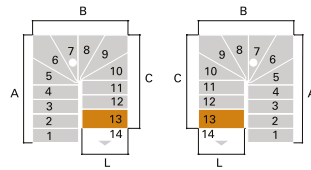
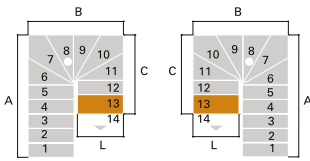
L (cm)	A (cm)	C (cm)
64	68	229-240-252

L (cm)	A (cm)
64	216-231-246



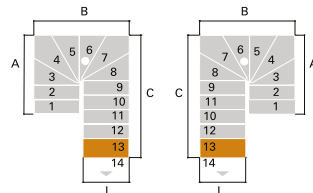
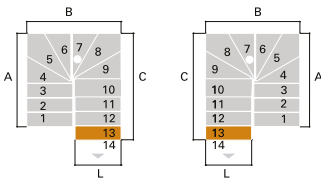
L (cm)	A (cm)	B (cm)	C (cm)
64	180-188-198	129	68

L (cm)	A (cm)	B (cm)	C (cm)
64	164-171-179	129	85



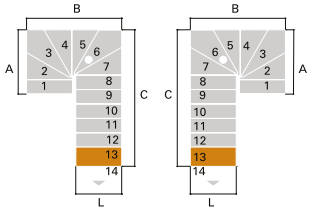
L (cm)	A (cm)	B (cm)	C (cm)
64	148-154-161	129	101-102-104

L (cm)	A (cm)	B (cm)	C (cm)
64	132-137-142	129	117-119-122

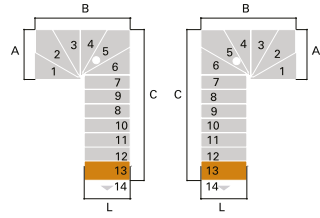


L (cm)	A (cm)	B (cm)	C (cm)
64	116-120-124	129	133-141-141

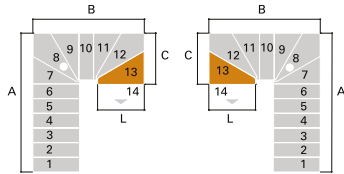
L (cm)	A (cm)	B (cm)	C (cm)
64	100-102-105	129	149-154-159



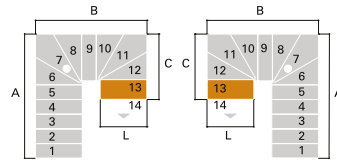
L (cm)	A (cm)	B (cm)	C (cm)
64	84-85-87	129	165-171-178



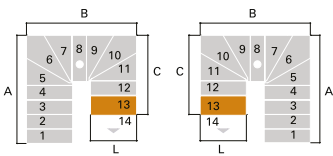
L (cm)	A (cm)	B (cm)	C (cm)
64	68	129	181-188-196



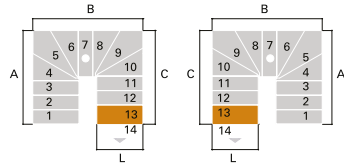
L (cm)	A (cm)	B (cm)	C (cm)
64	164-171-179	145-146-148	68



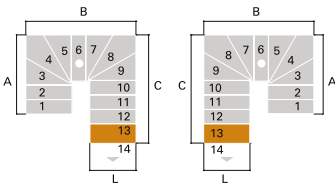
L (cm)	A (cm)	B (cm)	C (cm)
64	148-154-161	145-146-148	85



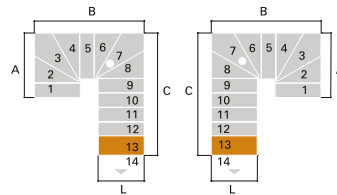
L (cm)	A (cm)	B (cm)	C (cm)
64	132-137-142	145-146-148	101-102-104



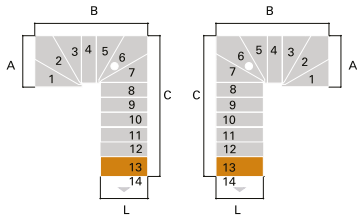
L (cm)	A (cm)	B (cm)	C (cm)
64	116-120-124	145-146-148	117-119-122



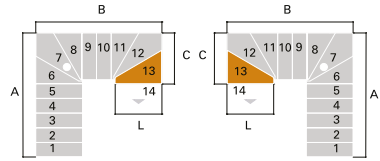
L (cm)	A (cm)	B (cm)	C (cm)
64	100-102-105	145-146-148	133-137-141



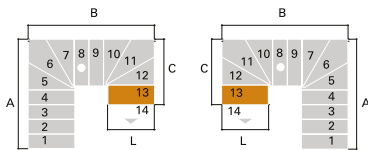
L (cm)	A (cm)	B (cm)	C (cm)
64	84-85-87	145-146-148	149-154-159



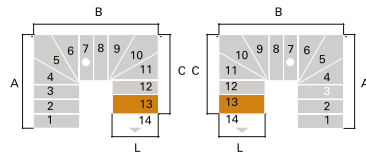
L (cm)	A (cm)	B (cm)	C (cm)
64	68	145-146-148	165-171-178



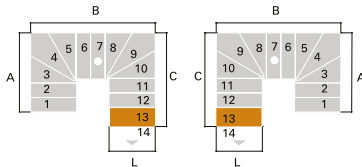
L (cm)	A (cm)	B (cm)	C (cm)
64	148-154-161	161-163-166	68



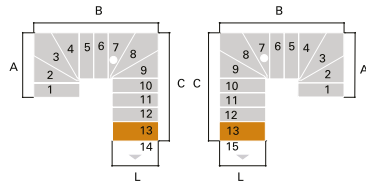
L (cm)	A (cm)	B (cm)	C (cm)
64	132-137-142	161-163-166	85



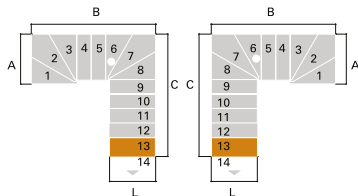
L (cm)	A (cm)	B (cm)	C (cm)
64	116-120-124	161-163-166	101-102-104



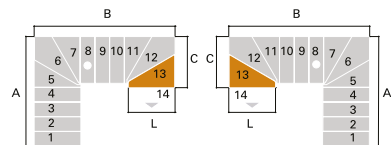
L (cm)	A (cm)	B (cm)	C (cm)
64	100-102-105	161-163-166	117-119-122



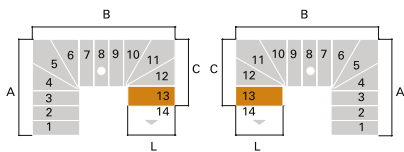
L (cm)	A (cm)	B (cm)	C (cm)
64	84-85-87	161-163-166	133-137-141



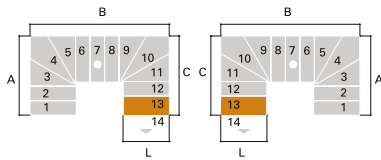
L (cm)	A (cm)	B (cm)	C (cm)
64	68	161-163-166	149-154-159



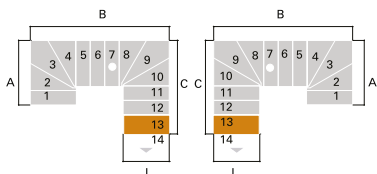
L (cm)	A (cm)	B (cm)	C (cm)
64	132-137-142	177-181-185	68



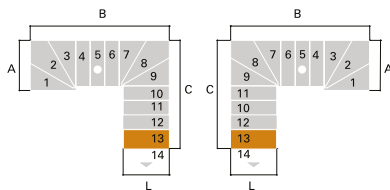
L (cm)	A (cm)	B (cm)	C (cm)
64	116-120-124	177-181-185	85



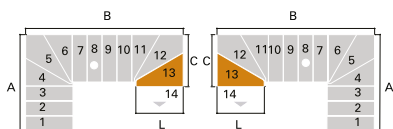
L (cm)	A (cm)	B (cm)	C (cm)
64	100-102-105	177-181-185	196-206-216



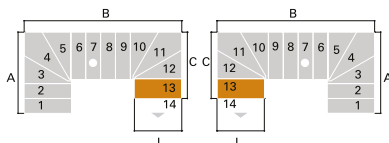
L (cm)	A (cm)	B (cm)	C (cm)
64	84-85-87	177-181-185	117-119-122



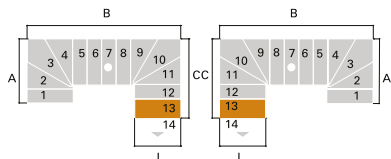
L (cm)	A (cm)	B (cm)	C (cm)
64	68	177-181-185	133-137-141



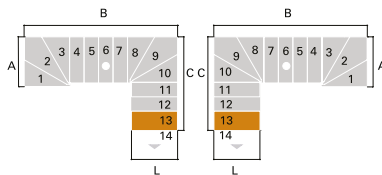
L (cm)	A (cm)	B (cm)	C (cm)
64	116-120-124	193-198-203	68



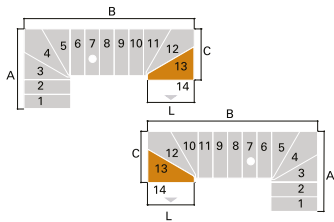
L (cm)	A (cm)	B (cm)	C (cm)
64	100-102-105	193-198-203	85



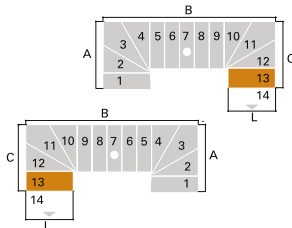
L (cm)	A (cm)	B (cm)	C (cm)
64	100-102-105	193-198-203	101-102-104



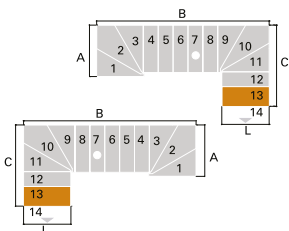
L (cm)	A (cm)	B (cm)	C (cm)
64	68	193-198-203	117-119-122



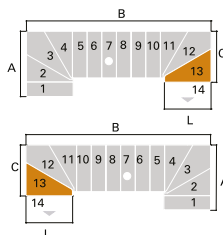
L (cm)	A (cm)	B (cm)	C (cm)
64	100-102-105	209-215-222	68



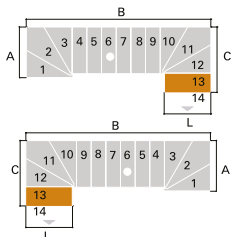
L (cm)	A (cm)	B (cm)	C (cm)
64	84-85-87	209-215-222	85



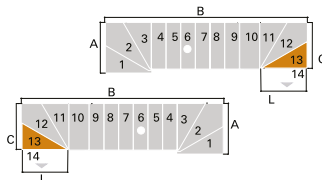
L (cm)	A (cm)	B (cm)	C (cm)
64	68	209-215-222	101-102-104



L (cm)	A (cm)	B (cm)	C (cm)
64	84-85-87	225-232-240	68

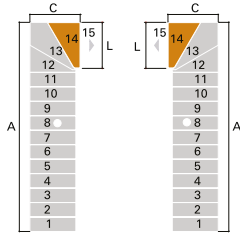


L (cm)	A (cm)	B (cm)	C (cm)
64	68	225-232-240	85

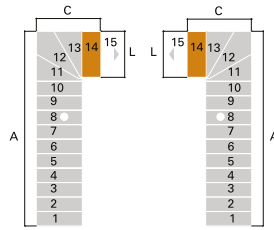


L (cm)	A (cm)	B (cm)	C (cm)
64	68	241-249-259	68

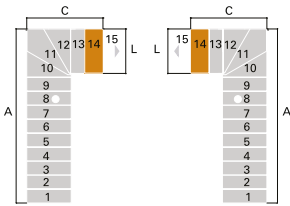
15



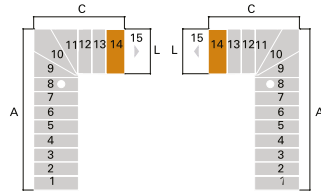
L (cm)	A (cm)	C (cm)
64	244-257-272	68



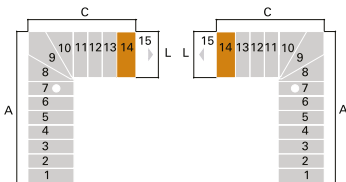
L (cm)	A (cm)	C (cm)
64	228-240-253	85



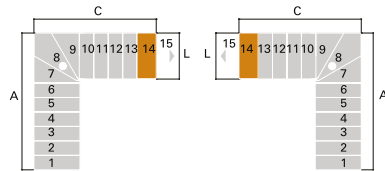
L (cm)	A (cm)	C (cm)
64	212-223-235	101-102-104



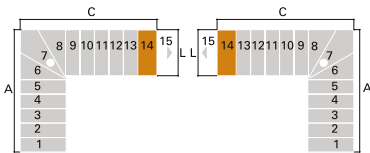
L (cm)	A (cm)	C (cm)
64	196-206-216	117-119-122



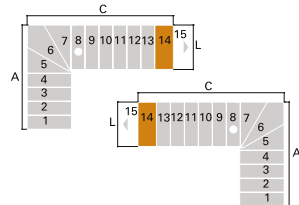
L (cm)	A (cm)	C (cm)
64	180-188-198	133-137-141



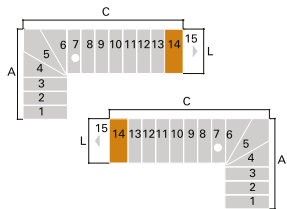
L (cm)	A (cm)	C (cm)
64	164-171-179	149-154-159



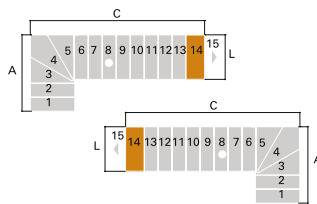
L (cm)	A (cm)	C (cm)
64	148-154-161	165-171-178



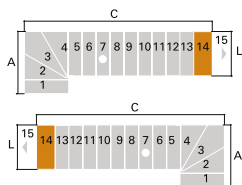
L (cm)	A (cm)	C (cm)
64	132-137-142	181-188-196



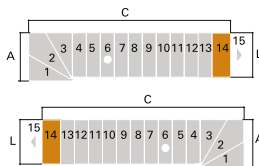
L (cm)	A (cm)	C (cm)
64	116-120-124	197-205-215



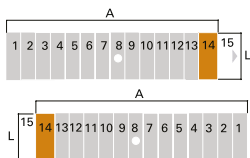
L (cm)	A (cm)	C (cm)
64	100-102-105	213-223-233



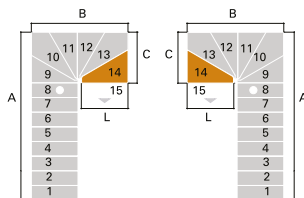
L (cm)	A (cm)	C (cm)
64	84-85-87	229-240-252



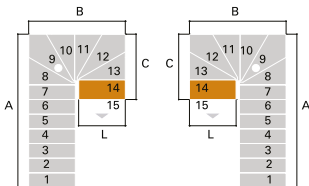
L (cm)	A (cm)	C (cm)
64	68	245-256-270



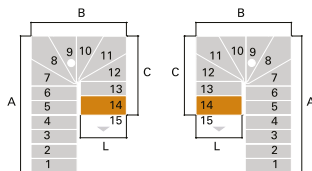
L (cm)	A (cm)
64	232-248-265



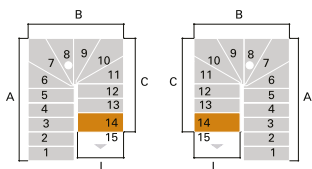
L (cm)	A (cm)	B (cm)	C (cm)
64	196-206-216	129	68



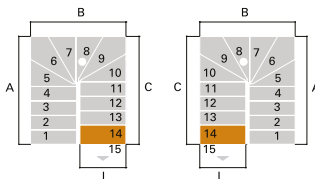
L (cm)	A (cm)	B (cm)	C (cm)
64	180-188-198	129	85



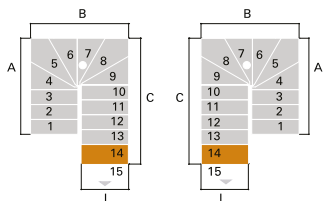
L (cm)	A (cm)	B (cm)	C (cm)
64	164-171-179	129	101-102-104



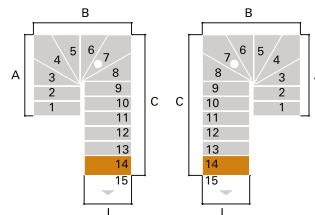
L (cm)	A (cm)	B (cm)	C (cm)
64	148-154-161	129	117-119-122



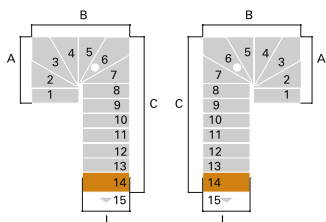
L (cm)	A (cm)	B (cm)	C (cm)
64	132-137-142	129	133-137-141



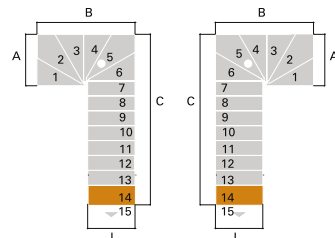
L (cm)	A (cm)	B (cm)	C (cm)
64	116-120-124	129	149-154-159



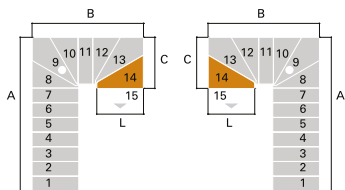
L (cm)	A (cm)	B (cm)	C (cm)
64	100-102-105	129	165-171-178



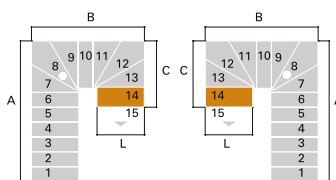
L (cm)	A (cm)	B (cm)	C (cm)
64	84-85-87	129	181-188-196



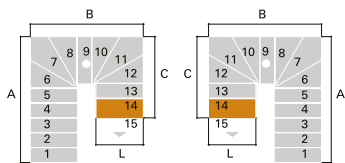
L (cm)	A (cm)	B (cm)	C (cm)
64	68	129	197-205-215



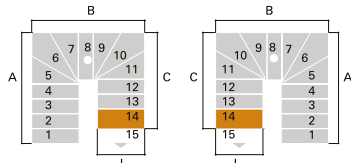
L (cm)	A (cm)	B (cm)	C (cm)
64	180-188-198	145-146-148	68



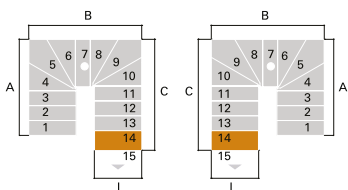
L (cm)	A (cm)	B (cm)	C (cm)
64	164-171-179	145-146-148	85



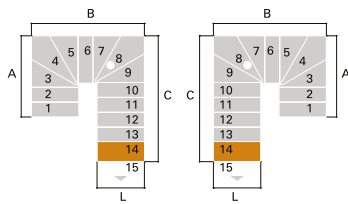
L (cm)	A (cm)	B (cm)	C (cm)
64	148-154-161	145-146-148	101-102-104



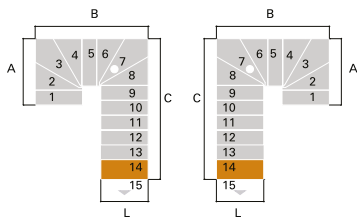
L (cm)	A (cm)	B (cm)	C (cm)
64	132-137-142	145-146-148	117-119-122



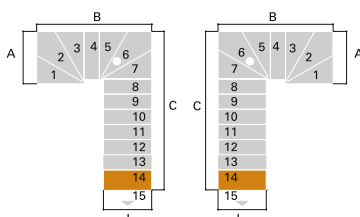
L (cm)	A (cm)	B (cm)	C (cm)
64	116-120-124	145-146-148	133-137-141



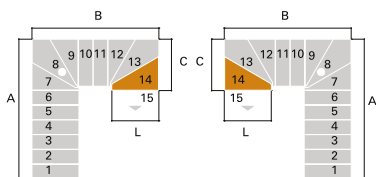
L (cm)	A (cm)	B (cm)	C (cm)
64	100-102-105	145-146-148	149-154-159



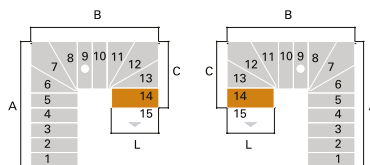
L (cm)	A (cm)	B (cm)	C (cm)
64	84-85-87	145-146-148	165-171-178



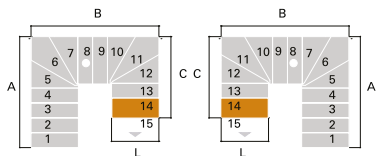
L (cm)	A (cm)	B (cm)	C (cm)
64	68	145-146-148	181-188-196



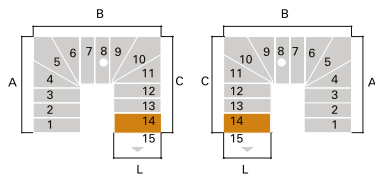
L (cm)	A (cm)	B (cm)	C (cm)
64	164-171-179	161-163-166	68



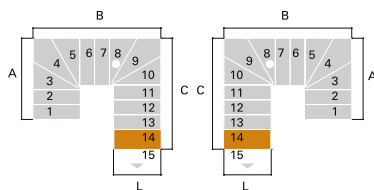
L (cm)	A (cm)	B (cm)	C (cm)
64	148-154-161	161-163-166	85



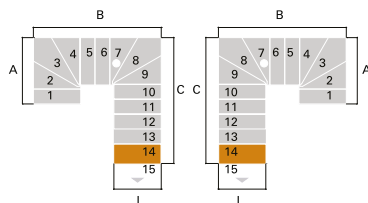
L (cm)	A (cm)	B (cm)	C (cm)
64	132-137-142	161-163-166	101-102-104



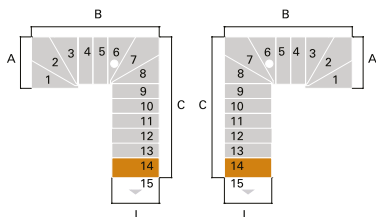
L (cm)	A (cm)	B (cm)	C (cm)
64	116-120-124	161-163-166	117-119-122



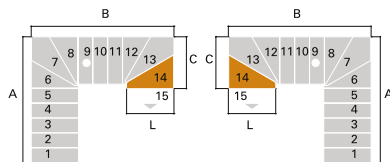
L (cm)	A (cm)	B (cm)	C (cm)
64	100-102-105	161-163-166	133-137-141



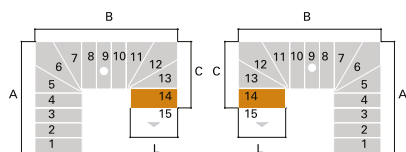
L (cm)	A (cm)	B (cm)	C (cm)
64	84-85-87	161-163-166	149-154-159



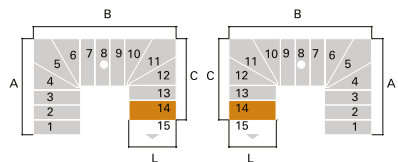
L (cm)	A (cm)	B (cm)	C (cm)
64	68	161-163-166	165-171-178



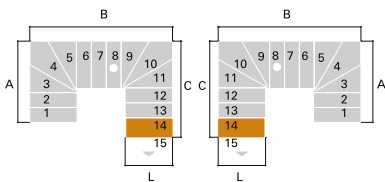
L (cm)	A (cm)	B (cm)	C (cm)
64	148-154-161	177-181-185	68



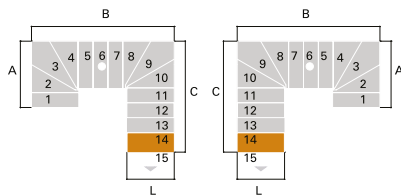
L (cm)	A (cm)	B (cm)	C (cm)
64	132-137-142	177-181-185	85



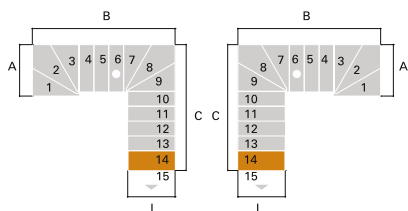
L (cm)	A (cm)	B (cm)	C (cm)
64	116-120-124	177-181-185	101-102-104



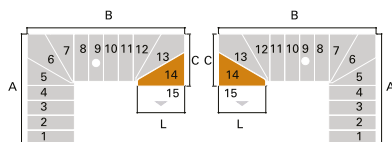
L (cm)	A (cm)	B (cm)	C (cm)
64	100-102-105	177-181-185	117-119-122



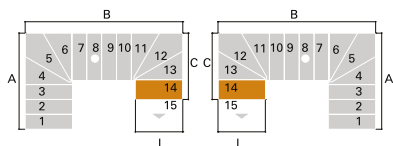
L (cm)	A (cm)	B (cm)	C (cm)
64	84-85-87	177-181-185	133-137-141



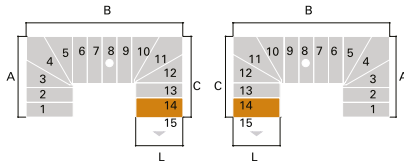
L (cm)	A (cm)	B (cm)	C (cm)
64	68	177-181-185	149-154-159



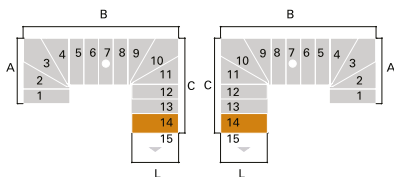
L (cm)	A (cm)	B (cm)	C (cm)
64	132-137-142	193-196-203	68



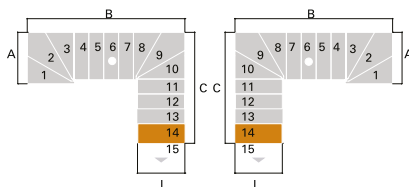
L (cm)	A (cm)	B (cm)	C (cm)
64	116-120-124	193-198-203	85



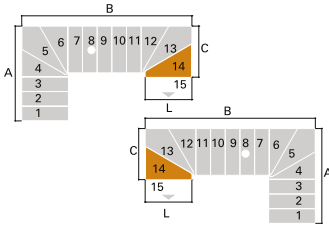
L (cm)	A (cm)	B (cm)	C (cm)
64	100-102-105	193-198-203	101-102-104



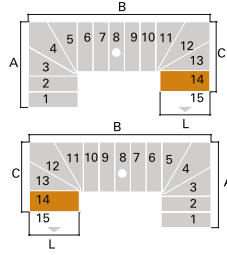
L (cm)	A (cm)	B (cm)	C (cm)
64	84-85-87	193-198-203	117-119-122



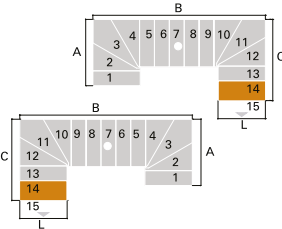
L (cm)	A (cm)	B (cm)	C (cm)
64	68	193-198-203	133-137-141



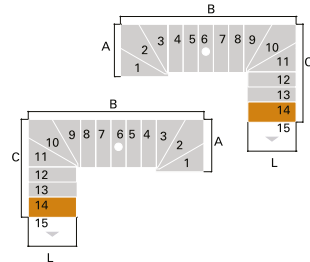
L (cm)	A (cm)	B (cm)	C (cm)
64	116-120-124	209-215-222	68



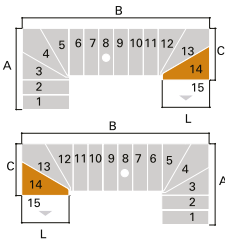
L (cm)	A (cm)	B (cm)	C (cm)
64	100-102-105	209-215-222	85



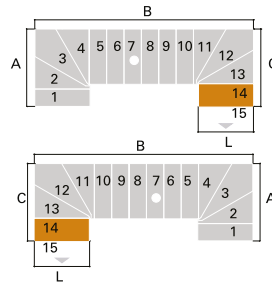
L (cm)	A (cm)	B (cm)	C (cm)
64	84-85-87	209-215-222	101-102-104



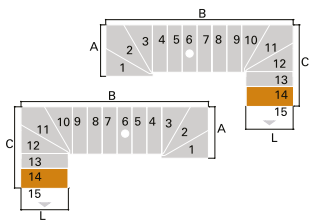
L (cm)	A (cm)	B (cm)	C (cm)
64	68	209-215-222	117-119-122



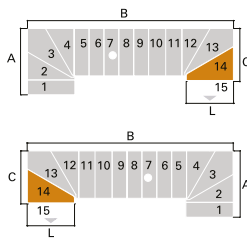
L (cm)	A (cm)	B (cm)	C (cm)
64	100-102-105	225-232-240	68



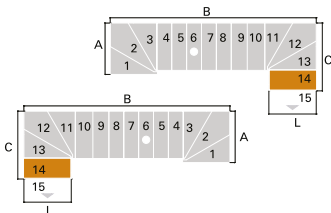
L (cm)	A (cm)	B (cm)	C (cm)
64	84-85-87	225-232-240	85



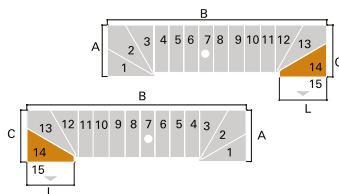
L (cm)	A (cm)	B (cm)	C (cm)
64	68	225-232-240	101-102-104



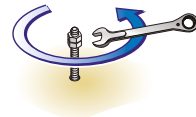
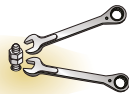
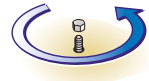
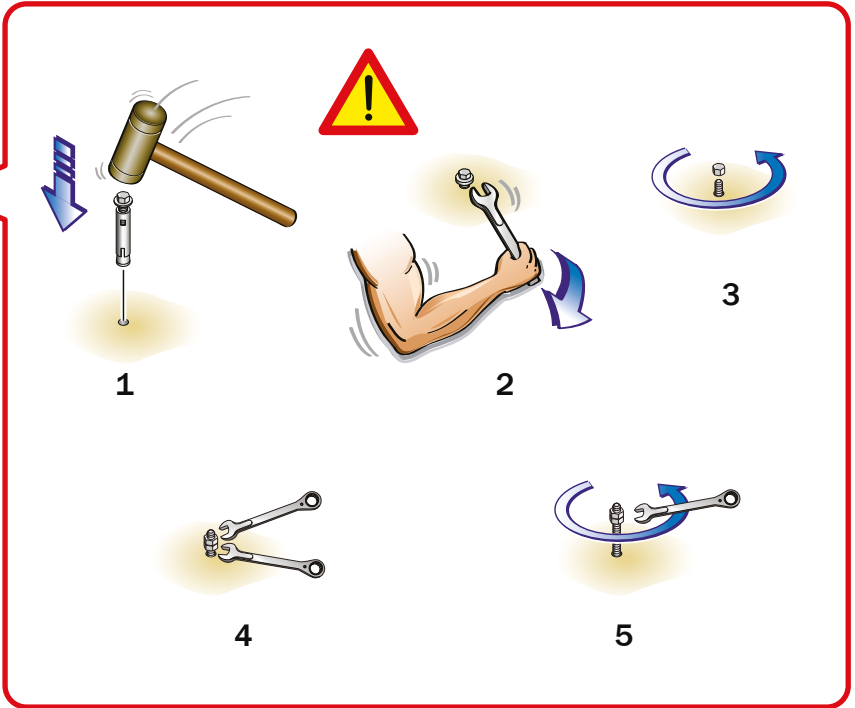
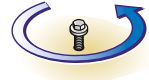
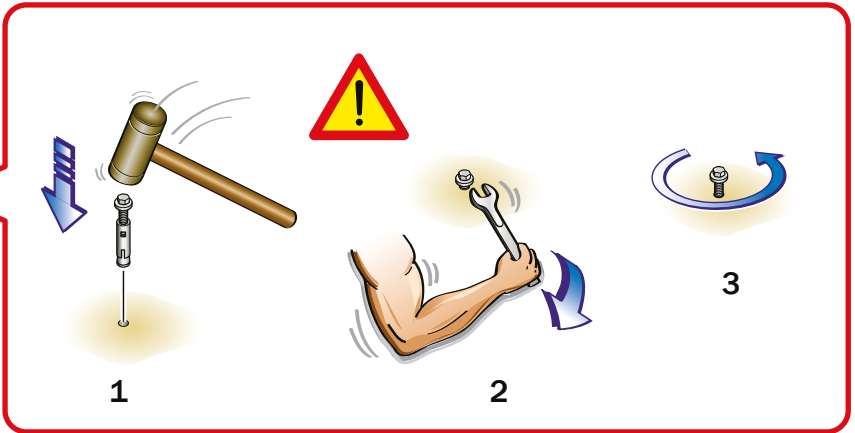
L (cm)	A (cm)	B (cm)	C (cm)
64	84-85-87	241-249-259	68



L (cm)	A (cm)	B (cm)	C (cm)
64	68	241-249-259	85



L (cm)	A (cm)	B (cm)	C (cm)
64	68	257-267-277	68

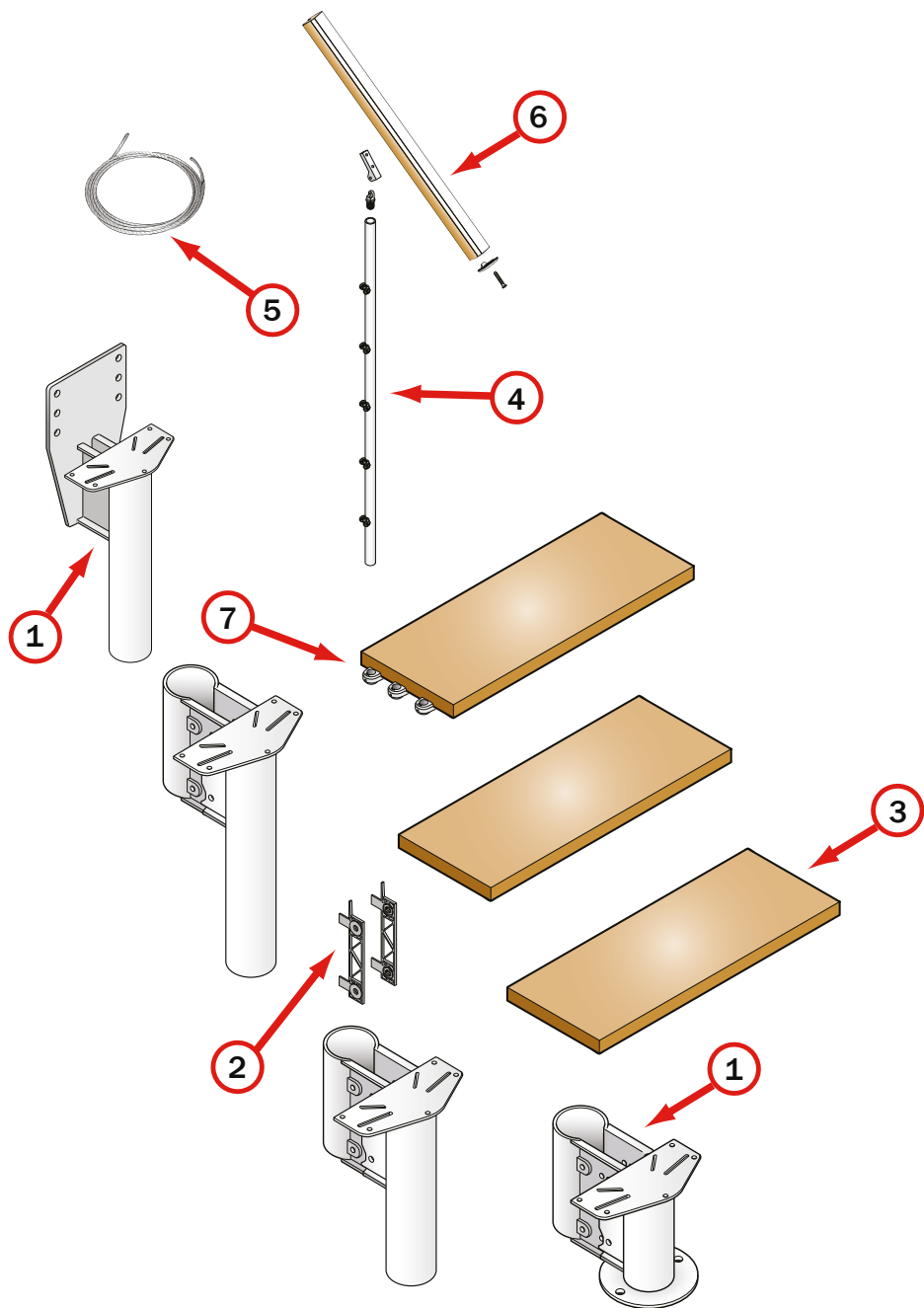




Italiano
Français
Español

DATI IDENTIFICATIVI DEL PRODOTTO
DONNÉES D'IDENTIFICATION DU PRODUIT
DATOS DE IDENTIFICACIÓN





IT)

dati identificativi del prodotto

denominazione commerciale: **PRATIQUE 4 LINE**

tipologia: scala a giorno con gradini rettilinei, a ventaglio e rotazione delle rampe

materiali impiegati

STRUTTURA

descrizione

composta da supporti **(1)** metallici assemblati fra di loro con bulloni

materiali

supporti metallici: Fe 370

fissaggi **(2)**: polipropilene

finitura

supporti metallici: verniciatura a forno con polveri epossidiche

GRADINI

descrizione

gradini **(3)** in legno, rettilinei e a ventaglio assemblati alla struttura con bulloni

materiali

multistrato di betulla

finitura

tinta: all'acqua

fondo: poliuretano

finitura: poliuretano

RINGHIERA

descrizione

composta da colonnine **(4)** verticali in metallo fissate ai gradini **(3)**, da cavi in acciaio inox **(5)**, e da un corrimano **(6)** di legno

materiali

colonnine: Fe 370

cavi **(5)**: in acciaio inox

corrimano: faggio

fissaggi **(7)**: nylon

finitura

colonnine: verniciatura a forno con polveri epossidiche

corrimano di legno: tinta all'acqua,

fondo poliuretano

finitura poliuretano

PULIZIA

Pulire con panno morbido inumidito in acqua, privo di qualsiasi prodotto contenente solventi o materiali abrasivi.

MANUTENZIONE

Dopo circa 12 mesi dalla data di installazione, controllare il serraggio della viteria dei vari componenti. La manutenzione straordinaria deve essere eseguita a regola d'arte.

PRECAUZIONI D'USO

Evitare usi impropri e non consoni al prodotto. Eventuali manomissioni o installazioni non rispondenti alle istruzioni del produttore possono inficiare le conformità prestabilite del prodotto.

FR)

données d'identification du produit

denomination commerciale : **PRATIQUE 4 LINE**

typologie : escalier à volée avec marches rectilignes, en éventail et rotation des volées

matériaux utilisés

STRUCTURE

description

composée de supports **(1)** métalliques assemblés entre eux par boulonnage

matériaux

supports métalliques : Fe 370

fixations **(2)** : polypropylène

finition

supports métalliques : vernissage à chaud avec poudres époxy

MARCHES

description

marches **(3)** en bois, rectilignes, en éventail assemblées à la structure par boulonnage

matériaux

multipli de bouleau

finition

vernis : à l'eau

mordant : polyuréthanique

finition : polyuréthanique

GARDE-CORPS

description

composé de colonnettes **(4)** verticales en métal fixées aux marches **(3)**, de câbles en acier inox **(5)** et d'une main courante **(6)** en bois

matériaux

colonnettes : Fe 370

câbles **(5)** : acier inox

main courante : hêtre

fixations **(7)** : nylon

finition

colonnettes : vernissage à chaud avec poudres époxy

main courante en bois : vernis à l'eau,

mordant polyuréthanique

finition polyuréthanique

NETTOYAGE

Nettoyer avec un chiffon souple humidifié à l'eau, sans aucun produit contenant des solvants ou matières abrasives.

ENTRETIEN

Après environ 12 mois de la date d'installation, contrôler le serrage de la visserie et des différents éléments. L'entretien extraordinaire doit être exécuté dans les règles de l'art.

PRECAUTION D'UTILISATION

Eviter l'utilisation improprie et non conforme au produit. D'éventuelles altérations ou installations non correspondantes aux instructions du producteur peuvent invalider les conformités préétablies du produit.

nice 4 line

ES)

datos de identificación del producto

denominación comercial: **PRATIQUE 4 LINE**

tipología: escalera abierta con peldaños rectilíneos, en forma de abanico y rotación de las rampas

materiales empleados

ESTRUCTURA

descripción

compuesta por soportes **(1)** metálicos ensamblados entre sí con pernos

materiales

soportes metálicos: Fe 370

fijaciones **(2)**: polipropileno

acabado

soportes metálicos: barnizado en horno con polvos epoxídicos

PELDAÑOS

descripción

peldaños **(3)** de madera maciza, rectilíneos y en abanico, ensamblados a la estructura mediante pernos

materiales

multicapa de abedul

acabado

acabado: al agua

imprimación: poliuretánica

acabado: poliuretánico

BARANDILLA

descripción

compuesta por barrotes **(4)** verticales de metal fijados a los peldaños **(3)**, por cables en acero inoxidable **(5)** y por un pasamanos **(6)** de madera

materiales

barrotes: Fe 370

cables **(5)**: acero inoxidable

pasamanos: haya

fijaciones **(7)**: nylon

acabado

barrotes: barnizado en horno con polvos epoxídicos

pasamanos de madera: barniz al agua,
imprimación poliuretánica
acabado poliuretánico

LIMPIEZA

Limpiar con un trapo suave humedecido con agua y sin ningún producto que contenga disolventes o materiales abrasivos.

MANTENIMIENTO

Transcurridos unos 12 meses desde la fecha de instalación, comprobar que los tornillos que fijan las distintas partes sigan bien apretados. El mantenimiento extraordinario debe ser efectuado como corresponde.

PRECAUCIONES DE USO

Evitar usos impropios y no conformes con el producto. Eventuales manipulaciones o instalaciones que no cumplan con las instrucciones del fabricante pueden menoscabar las cualidades certificadas en las pruebas de conformidad a las que previamente fue sometido el producto.



N 4 L
D.U.M.
02/2018