

CILINDRI A PROFILO EUROPEO
EUROPROFILE CYLINDER



CILINDRO PROFILO EUROPEO

TIPOLOGIA:
- Cilindro a profilo europeo con chiave computerizzata, 3 file di perni

MATERIALE:
- Brass

TRATTAMENTO:
- Nickel plated

CARATTERISTICHE:
- Cam 30°
- Perni in acciaio
- Molle anti-ruggine
- Anti-strappo
- Anti-bumping
- Anti-picking
- Spine antitrapano

DOTAZIONE:
- 2 chiavi cantiere
- 5 chiavi padronali
- 1 chiave on/ off

NOTE:

EUROPROFILE CYLINDER

TYPE:
- Europrofile lock with computer-key, 3 lines of pins

MATERIAL:
- Brass

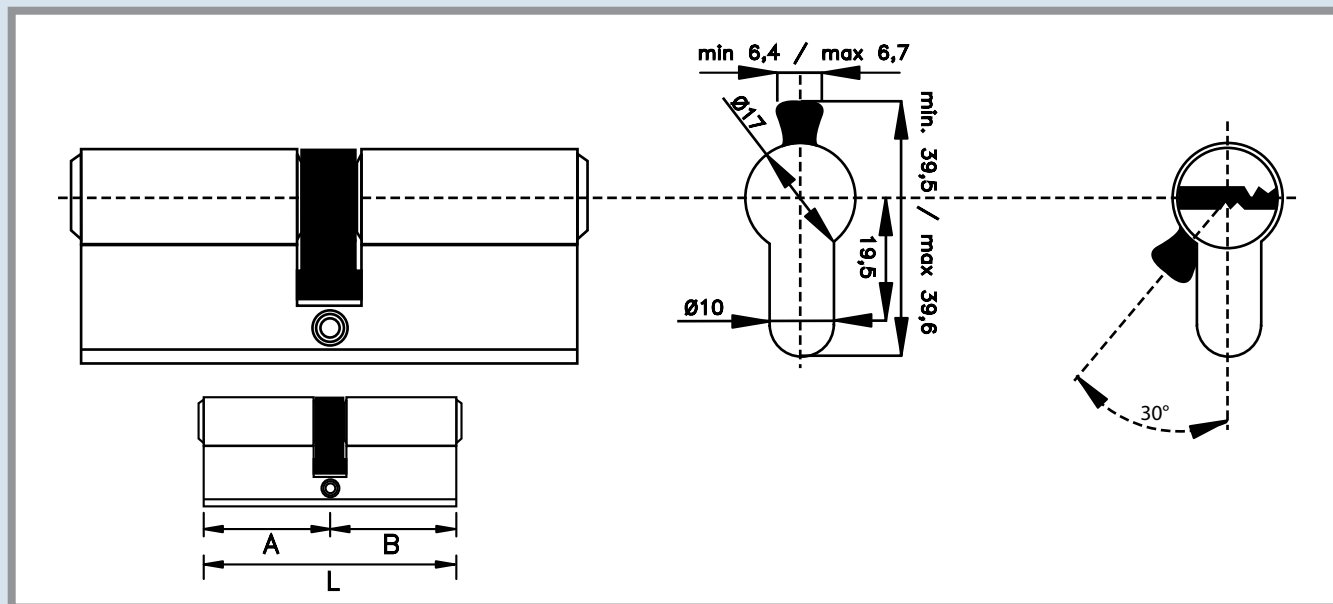
TREATMENT:
- Nickel-plated

CHARACTERISTICS:
- Cam 30°
- Hardened stainless steel pins
- Springs anti-rust proof
- Anti-tear system
- Anti-bumping
- Anti-picking
- Anti-drilling proof

EQUIPMENT:
- 2 construction keys
- 5 definitive keys
- 1 on/ off key

NOTES:

A	B	CODICE CODE	NOTE NOTES
30	30	H30+30KD	
30	40	H30+40KD	
30	50	H30+50KD	
35	45	H35+45KD	
35	50	H35+50KD	
40	50	H40+50KD	Taglio anti-rottura Cut anti-breaking
30	60	H30+60KD	
30	60	H30+60KD	Con pomolo / With knob
30	70	H30+70KD	



DETTAGLI / DETAILS

