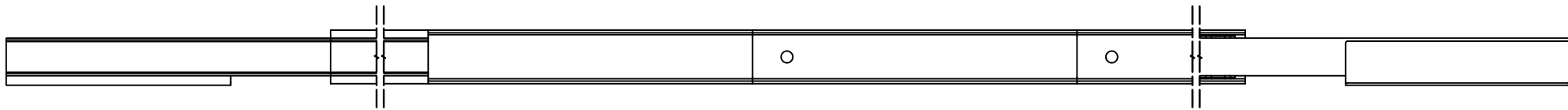


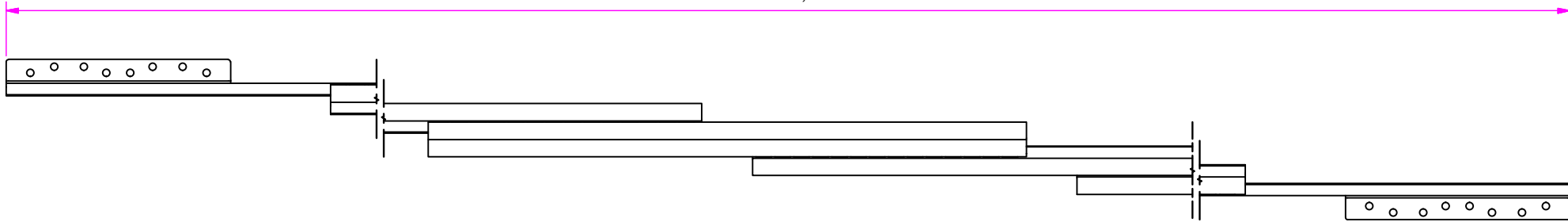
DESIGNED BY F.Dino	CHECKED AND APPROVED BY L. Paleari	DATE 28/09/2016	CODE 9006400
RAM INDUSTRIE	GENERAL TOLLERANCE ISO-2768-1M	UNIT mm	SCALE 1 of 3
	DESCRIPTION	MATERIAL Cold rolled steel	
DEVICE	PAIR WEIGHT 5,772 Kg	02C	

REVISION HISTORY			
REV	DESCRIPTION	APPROVED BY	DATE
1		F.Dino	28/09/2016

Property of RAM Industrie.
Without its written authorization the present drawing shall neither be used for construction anyway, communicated to third parties, nor reproduced.




1720,0



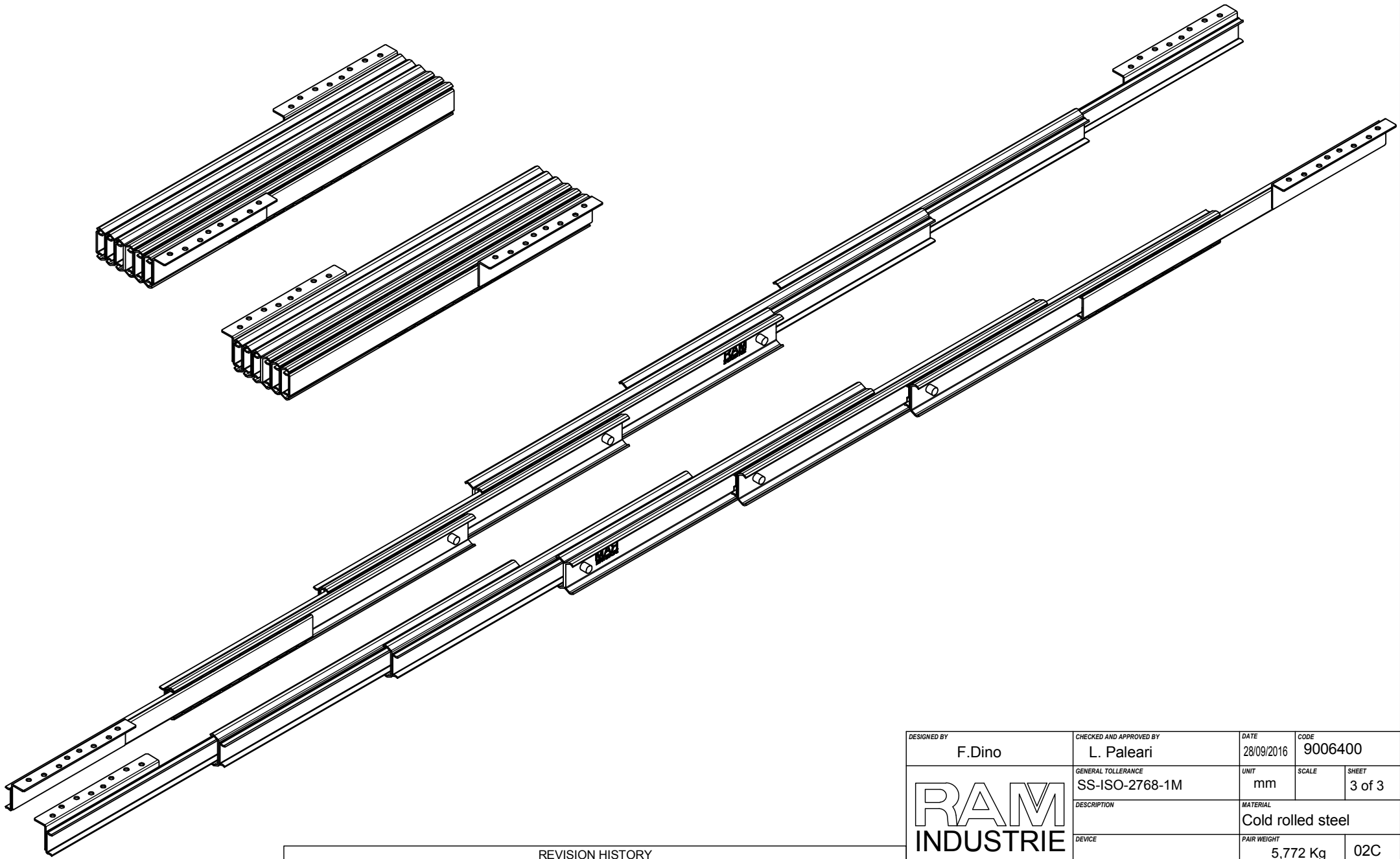
A (1 : 2)




REVISION HISTORY			
REV	DESCRIPTION	APPROVED BY	DATE
1		F.Dino	28/09/2016

DESIGNED BY F.Dino	CHECKED AND APPROVED BY L. Paleari	DATE 28/09/2016	CODE 9006400	
		GENERAL TOLLERANCE SS-ISO-2768-1M	UNIT mm	SCALE SHEET 2 of 3
		DESCRIPTION	MATERIAL Cold rolled steel	
DEVICE		PAIR WEIGHT 5,772 Kg	02C	

Property of RAM Industrie.
Without its written authorization the present drawing shall neither be used for construction anyway, communicated to third parties, nor reproduced.



REVISION HISTORY			
REV	DESCRIPTION	APPROVED BY	DATE
1		F.Dino	28/09/2016

DESIGNED BY	F.Dino	CHECKED AND APPROVED BY	L. Paleari	DATE	28/09/2016	CODE	9006400
	GENERAL TOLLERANCE	SS-ISO-2768-1M	UNIT	mm	SCALE	SHEET 3 of 3	
	DESCRIPTION			MATERIAL	Cold rolled steel		
DEVICE			PAIR WEIGHT	5,772 Kg	02C		

Property of RAM Industrie.
Without its written authorization the present drawing shall neither be used for construction anyway, communicated to third parties, nor reproduced.